

SINK STRAINER
K-9115
ALSO K-9118

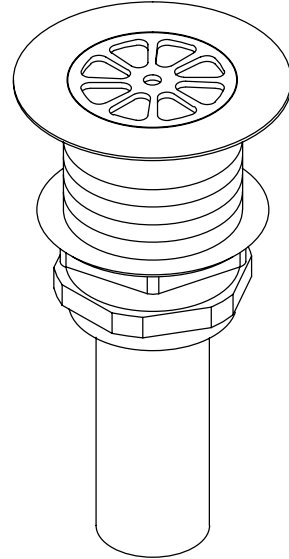
FEATURES

- Brass construction
- Intended for sink installations with 2" outlet
- Perforated strainer
- Brass tailpiece

CODES/STANDARDS APPLICABLE

Specified model meets or exceeds the following:

- ASME/ANSI A112.18.1M



COLORS/FINISHES

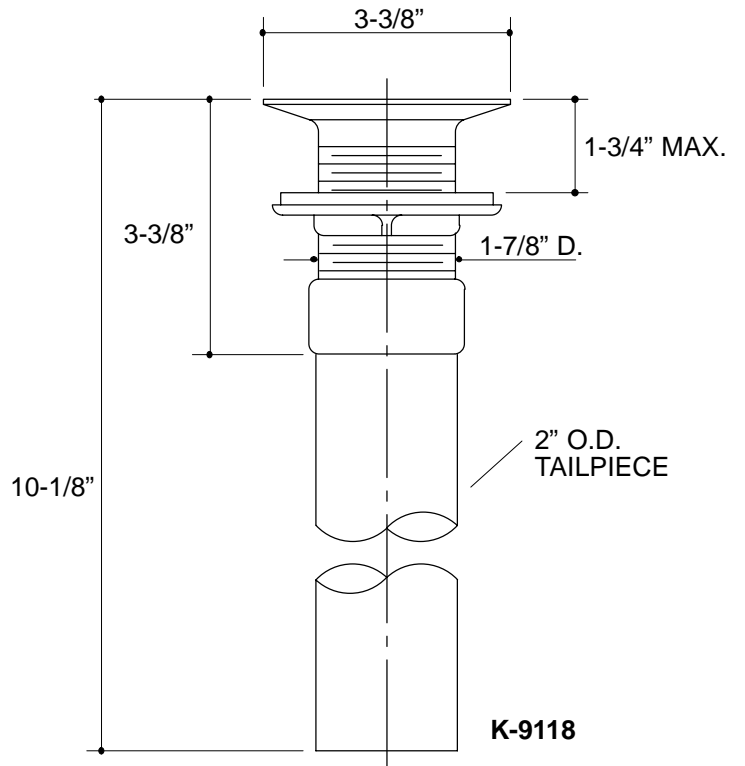
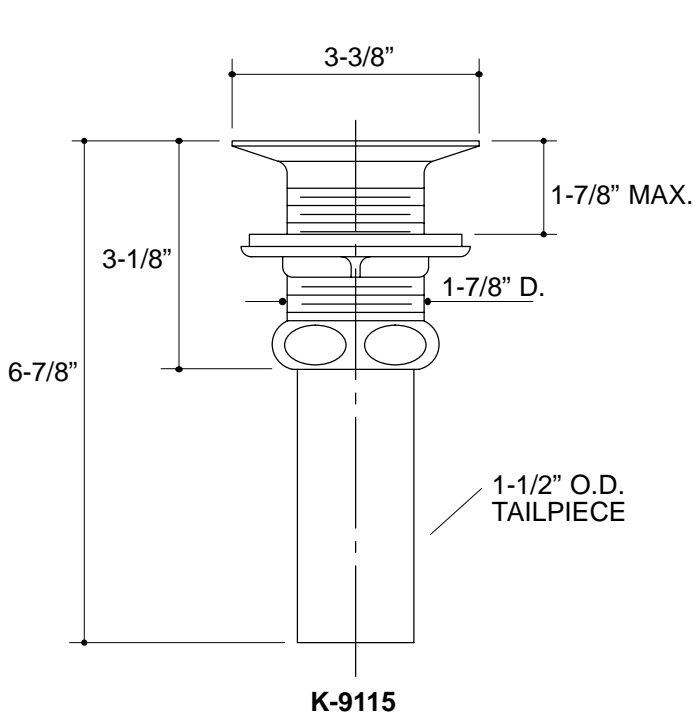
- CP Polished Chrome

SPECIFIED MODEL:

Model	Description	
K-9115	With 1-1/2" O.D. Tailpiece	<input type="checkbox"/> CP
K-9118	With 2" O.D. Tailpiece	<input type="checkbox"/> CP

PRODUCT SPECIFICATION:

Sink strainer shall be of brass construction. Product shall feature perforated strainer, cast brass body, and brass tailpiece. Product is intended for sink installations with 2" outlet. Optional feature shall be 1-1/2" O.D. or 2" O.D. tailpiece. Strainer shall be Kohler Model K-_____-CP.



38

PRODUCT DIAGRAM