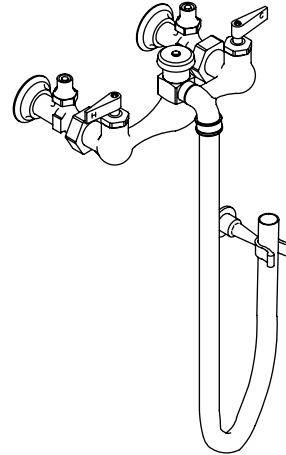


**SERVICE SINK FAUCET  
K-8928**

ADA

**Features**

- Brass construction
- For 8" (20.3 cm) centers
- Brass valve bodies
- Valvet® valves
- Lever handles
- 3" (7.6 cm) threaded spout for hose connection
- 7" (17.8 cm) wall-to-spout outlet
- Rubber hose
- Wall hook
- Internal NPT connections



**Codes/Standards Applicable**

Specified model meets or exceeds the following:

- ASME A112.18.1/CSA B125.1
- IAPMO/cUPC
- ADA

**Colors/Finishes**

- CP: Polished Chrome

**Specified Model**

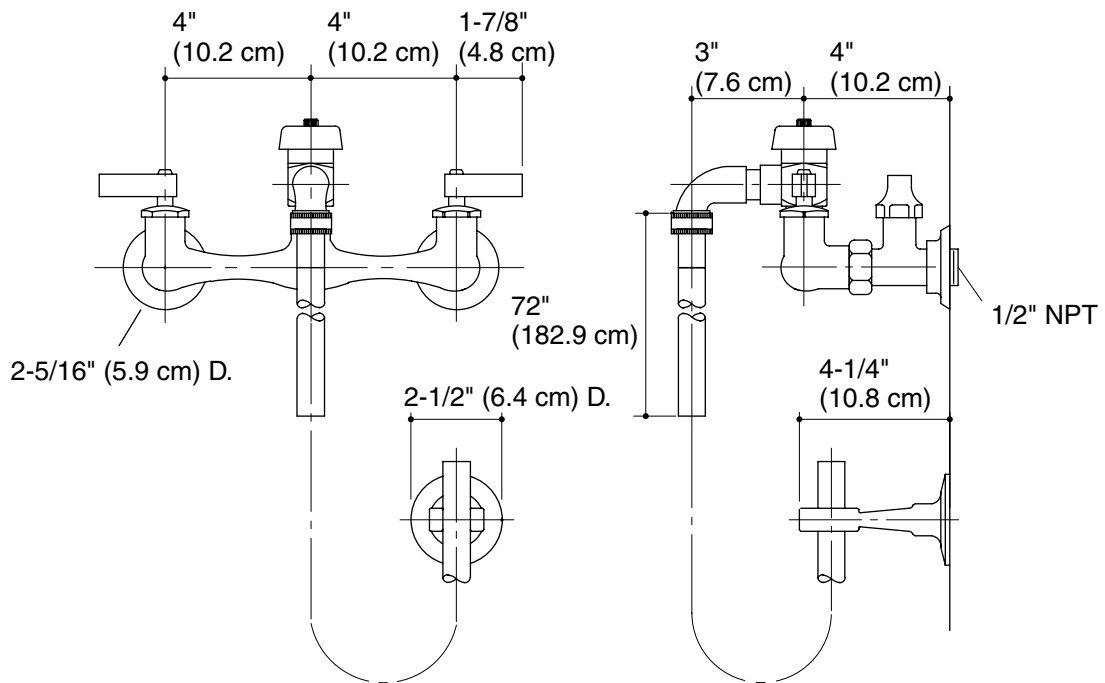
Model	Description	Colors/Finishes
K-8928	Service sink faucet	<input type="checkbox"/> CP

**Product Specification**

Two-handle service sink faucet shall be of brass construction. Faucet shall feature brass valve bodies. Faucet shall also feature Valvet valves. Product shall include 8" (20.3 cm) centers, 3" (7.6 cm) threaded spout for hose connection, 7" (17.8 cm) wall-to-spout outlet, lever handles, vacuum breaker, loose key stops, rubber hose, wall hook, and internal NPT connections. Faucet shall be Kohler Model K-8928-CP.

## Installation Notes

Install this product according to the installation guide.



## Product Diagram