

SINK STRAINER
K-8813
ALSO K-8814

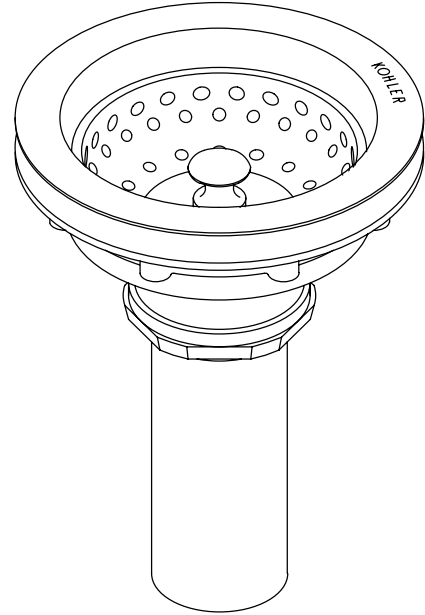
FEATURES

- Brass construction
- Intended for sink installations with 3-1/2" or 4" outlet
- Removable stainless steel basket
- 1-1/2" connection

CODES/STANDARDS APPLICABLE

Specified model meets or exceeds the following:

- ASME/ANSI A112.18.1M



COLORS/FINISHES

- CP Polished Chrome

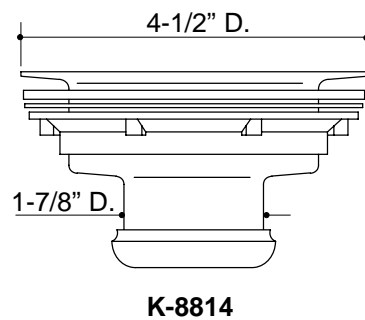
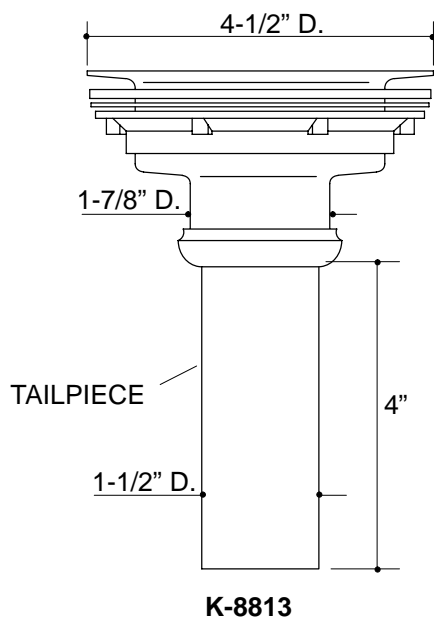
SPECIFIED MODEL:

Model	Description	
K-8813	Sink Strainer With Tailpiece	<input type="checkbox"/> CP
K-8814	Sink Strainer Less Tailpiece	<input type="checkbox"/> CP

PRODUCT SPECIFICATION:

Sink strainer shall be of brass construction. Product shall feature removable basket strainer, and 1-1/2" connection. Product is intended for sink installations with 3-1/2" or 4" outlet. Optional feature shall be a brass tailpiece. Strainer shall be Kohler Model K-_____-CP.

DUOSTRAINER®



PRODUCT DIAGRAM