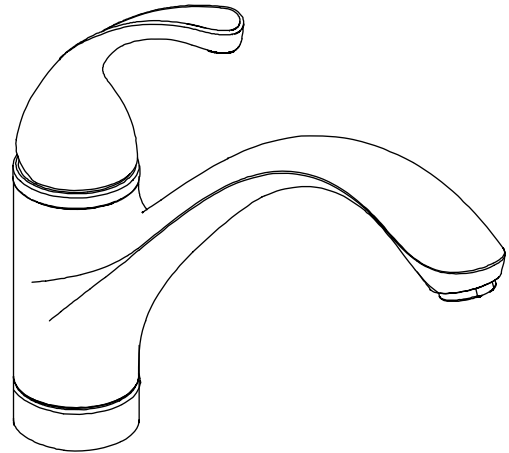


**KITCHEN SINK FAUCET
K-10415**

ADA

Features

- Metal construction
- Single-hole mounting
- One-piece, self-contained ceramic disc valve allows both volume and temperature control
- Temperature memory allows faucet to be turned on and off at any temperature setting
- High-temperature limit stop for added safety
- 9-1/16" (23 cm) swing spout
- 2.2 gallons (8.3 L) per minute
- Lower flow aerator options are available (refer to the Kohler Price Book)
- Lever handle
- Flexible supplies



Codes/Standards Applicable

Specified model meets or exceeds the following:

- ASME A112.18.1
- CSA B125
- IAPMO/UPC
- NSF 61
- Energy Policy Act of 1992 (EPACT)
- ADA

Colors/Finishes

- CP: Polished Chrome
- BN: Brushed Nickel
- Other: Refer to Price Book for additional colors/finishes

Specified Model:

Model	Description	
K-10415	Forté kitchen sink faucet	<input type="checkbox"/> CP <input type="checkbox"/> BN <input type="checkbox"/> Other ____

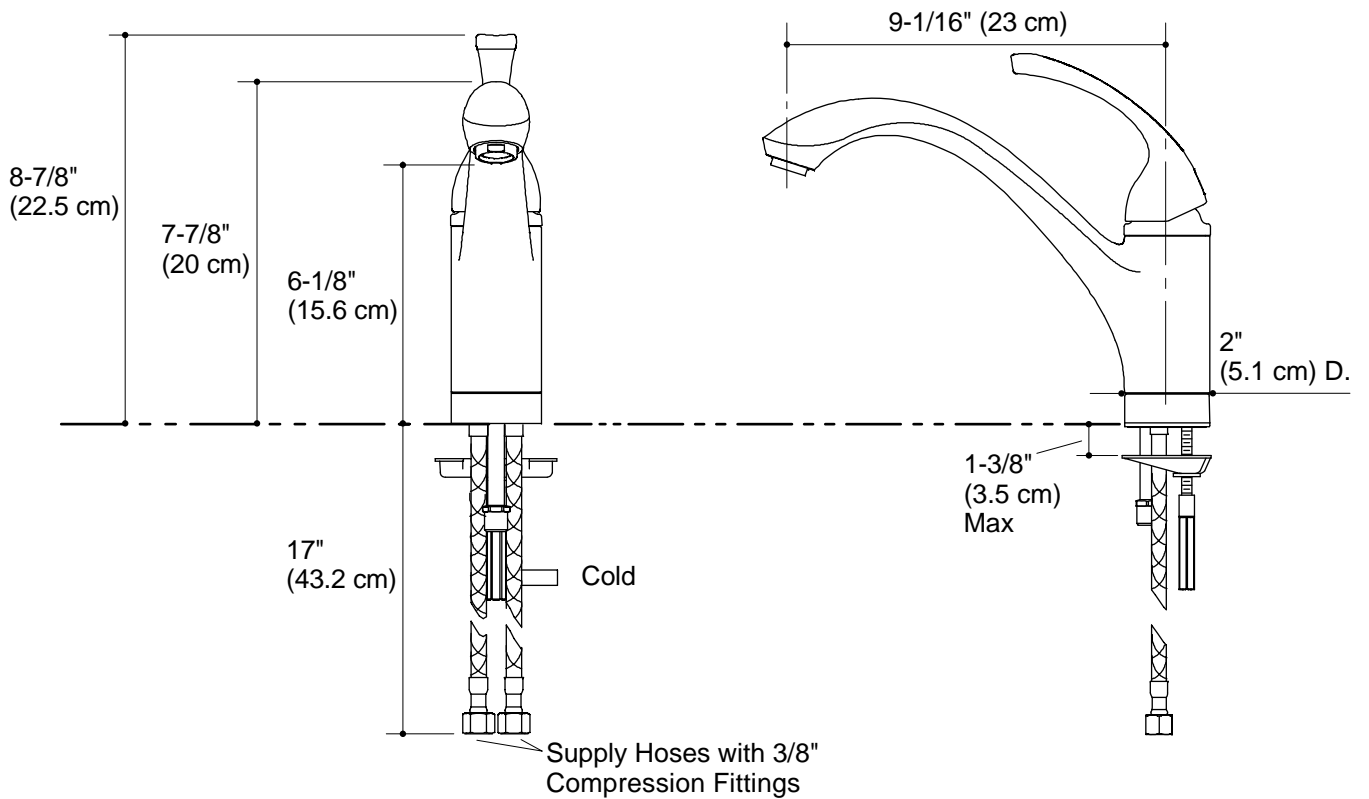
PRODUCT SPECIFICATION

Single-control kitchen sink faucet shall be of metal construction. The valve shall be a one-piece, self-contained ceramic disc valve, and allows both volume and temperature control. The valve shall feature temperature memory, allowing the faucet to be turned on and off at any temperature setting, and includes a high-temperature limit stop. The faucet shall have a flow rate of 2.2 gallons (8.3 L). Lower flow aerator options shall be available, as listed in the Kohler Price Book. Product shall include single-hole mounting, 9-1/16" (23 cm) swing spout, lever handle, and flexible supplies. Faucet shall be Kohler Model K-10415-____.

FORTÉ®

Installation Notes

Install this product according to the installation guide.



Product Diagram