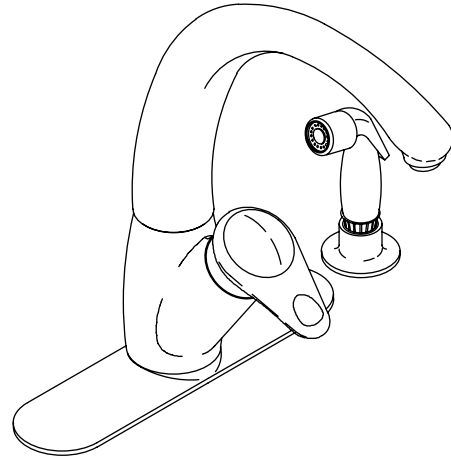


**KITCHEN SINK FAUCET
K-6356**

ADA

Features

- Brass construction
- Temperature memory allows faucet to be turned on and off at any temperature setting
- High-temperature limit setting for added safety
- One-piece, self-contained ceramic disc valve allows both volume and temperature control
- 9" (22.9 cm) gooseneck swing spout reach
- ADA compliant front lever handle
- Matching finish sidespray
- 10-1/2" (26.7 cm) escutcheon plate for three-hole installation
- Lower flow aerator options are available (refer to the Kohler Price Book)
- 2.2 gpm (8.3 lpm) maximum flow rate



Codes/Standards Applicable

Specified model meets or exceeds the following at date of manufacture:

- ADA
- ASME A112.18.1/CSA B125.1
- ICC/ANSI A117.1
- Energy Policy Act of 1992
- NSF 61
- All applicable US Federal and State material regulations

Colors/Finishes

- CP: Polished Chrome
- Other: Refer to Price Book for additional colors/finishes

Accessories

- NA: None applicable

Specified Model

Model	Description	Colors/Finishes	
K-6356	Kitchen sink faucet – with matching finish sidespray	<input type="checkbox"/> CP	<input type="checkbox"/> Other _____
Optional Accessories			
1030920	Sidespray deep roughing-in kit	<input type="checkbox"/> NA	

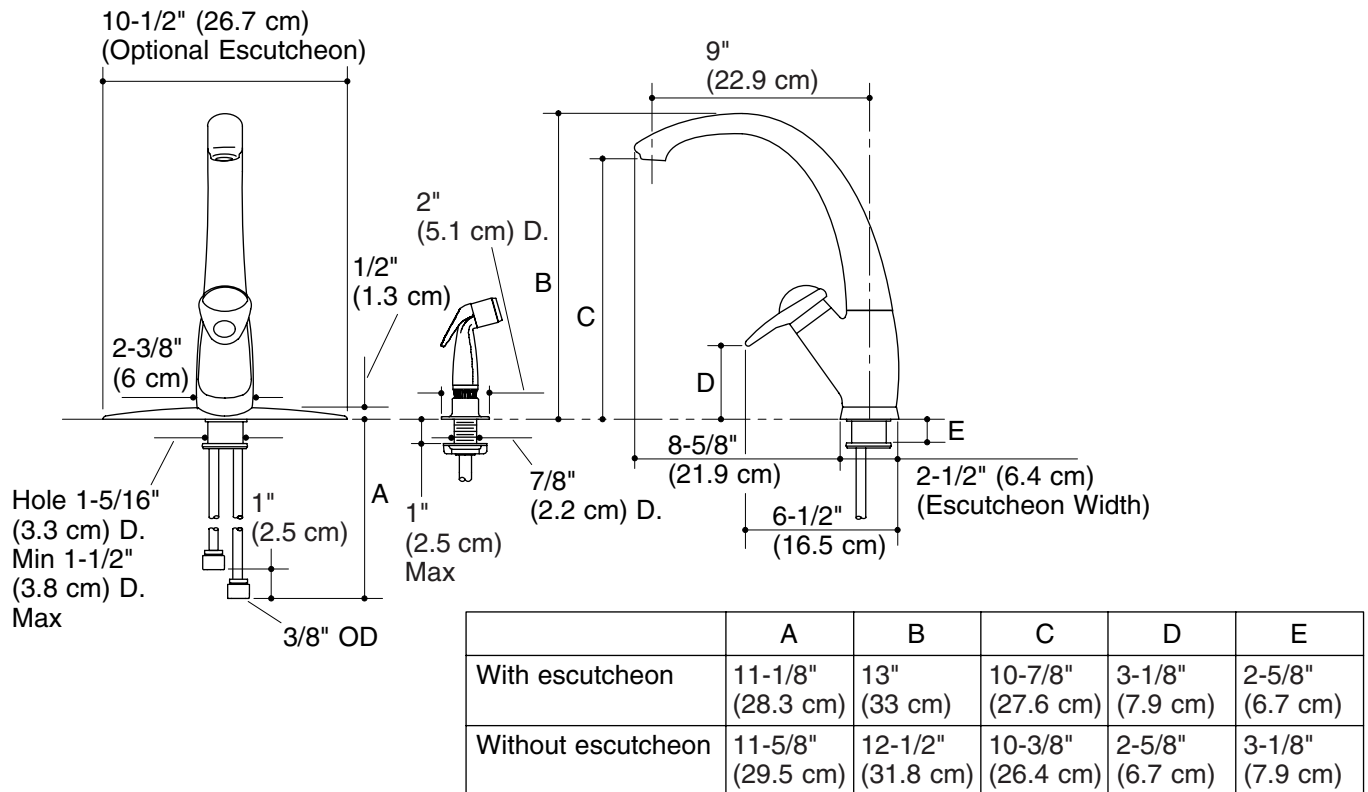
Product Specification

The single-control kitchen sink faucet shall be of brass construction. Product shall have a maximum flow rate of 2.2 gallons (8.3 L) per minute with lower flow aerator options available (refer to the Kohler Price Book). Product shall feature a one-piece, self-contained ceramic disc valve which allows both volume and temperature control. Product shall feature temperature memory, allowing the faucet to be turned on and off at any temperature setting. Product shall feature a high-temperature limit setting for added safety. Product shall feature 9" (22.9 cm) gooseneck swing spout reach, ADA compliant front lever handle, matching finish sidespray, and 10-1/2" (26.7 cm) escutcheon for three-hole installations. Faucet shall be Kohler Model K-6356-_____.

AVATAR®

Installation Notes

Install this product according to the installation guide.



Product Diagram