

### Features

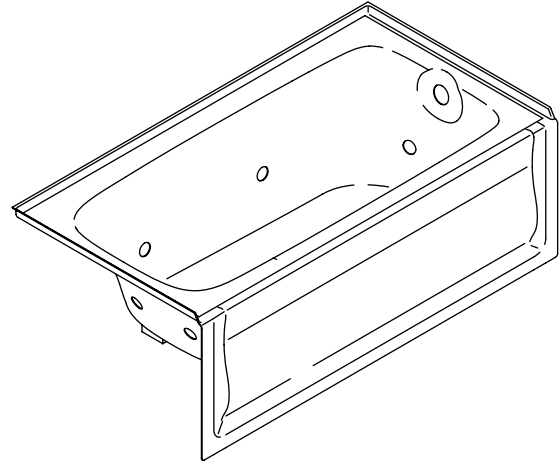
- Acrylic
- 8 Kohler jets, color matched
- Integral apron with removable access panel
- 1-1/4 hp pump with air switch and grounding-type plug-in cord
- Integral tile flange
- Integral lumbar support
- Left or right outlet
- 60" (152.4 cm) x 32" (81.3 cm) x 20" (50.8 cm)

### Codes/Standards Applicable

Specified model meets or exceeds the following:

- ANSI Z124.1
- IAPMO/UPC
- Underwriter's Laboratories (UL)
- Listed in State of Massachusetts
- ASME A112.19.7M

### BATH WHIRLPOOL WITH INTEGRAL APRON K-1151-LA/RA



### Colors/Finishes

- 0: White
- Other: Refer to Price Book for additional colors/finishes

### Accessories:

- CP: Polished Chrome
- PB: Polished Brass
- Other: Refer to Price Book for additional colors/finishes

### Specified Model

Model	Description	Colors/Finishes	
K-1151-LA	Bath whirlpool with left outlet and integral apron	<input type="checkbox"/> 0 White	<input type="checkbox"/> Other _____
K-1151-RA	Bath whirlpool with right outlet and integral apron (shown)	<input type="checkbox"/> 0 White	<input type="checkbox"/> Other _____

Recommended Accessories				
K-11677	Drain	<input type="checkbox"/> CP	<input type="checkbox"/> PB	<input type="checkbox"/> Other _____

### Product Specification:

The bath whirlpool shall be 60" (152.4 cm) in length, 32" (81.3 cm) in width, and 20" (50.8 cm) in height. Bath whirlpool shall be made of acrylic. Bath whirlpool shall have 8 color-matched Kohler jets, and 1.25 hp pump. Bath whirlpool pump shall be supplied with a plug-in cord. Bath whirlpool shall have integral apron with removable access panel. Bath whirlpool shall have integral lumbar support and integral tile flange. Bath whirlpool shall have left or right outlet. Bath whirlpool shall be Kohler Model K-1151-\_\_\_\_\_-\_\_\_\_\_.

# BANCROFT™ 5'

## Technical Information

Fixture:*	basin area	top area	weight
Bathing well	45" (114.3 cm) x 22" (55.9 cm)	54" (137.2 cm) x 25" (63.5 cm)	135 lbs. (61.2 kg)
	water depth	capacity	
To overflow	15" (38.1 cm)	60 gal. (227.1 L)	

\* Approximate measurements for comparison only.

Pump	Hp	V	Hz	A
1-speed	1.25	120	60	7

## Required Electrical Service

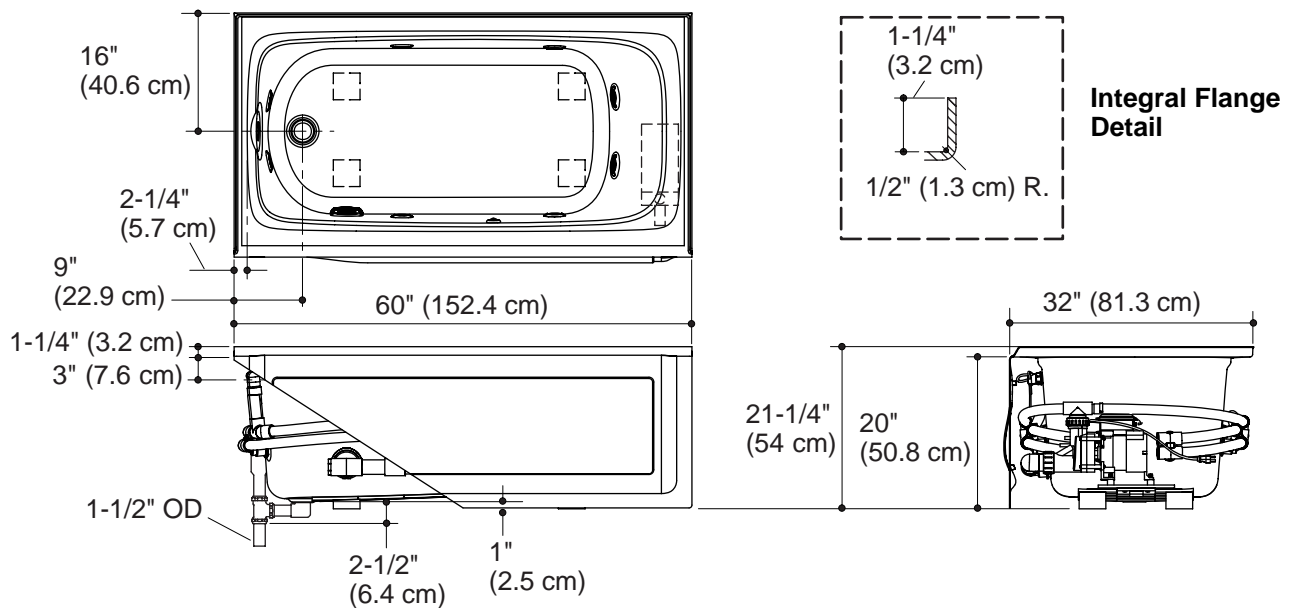
Dedicated circuit required, protected with Class A Ground-Fault Circuit-Interrupter (GFCI):	
Pump/control	120 V, 15 A, 60 Hz
Pump is supplied with a 24" (61 cm) grounding-type plug-in cord.	

## Installation Notes

Install this product according to the installation guide.

Floor support under whirlpool must provide for a minimum of 80 lbs./square foot (390 kg/square meter) loading.

No change in measurements if connected with drain illustrated. (K-11677)



## Product Diagram

BANCROFT™ 5' BATH WHIRLPOOL WITH INTEGRAL APRON

Page 2 of 2  
1043848-4-A

THE BOLD LOOK  
OF **KOHLER**®