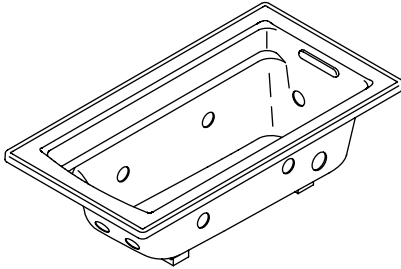


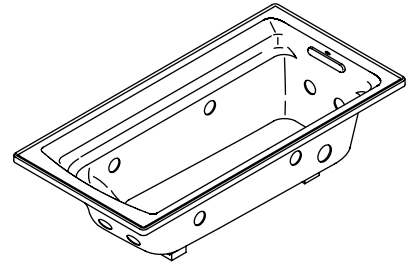
Installation Guide

Bath Whirlpool

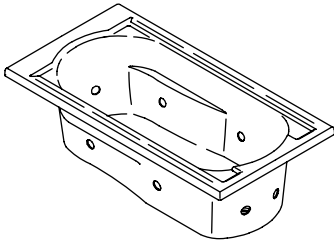
K-1122



K-1124



K-1357



M product numbers are for Mexico (i.e. K-12345**M**)
Los números de productos seguidos de **M** corresponden a México
(Ej. K-12345**M**)
Français, page "Français-1"
Español, página "Español-1"

THE BOLD LOOK
OF **KOHLER**®

Important Information



WARNING: When using electrical products, basic precautions should always be followed, including the following:



DANGER: Risk of electric shock. Connect only to a circuit protected by a Ground-Fault Circuit-Interrupter (GFCI).

Building materials and wiring should be routed away from the pump body and other heat-producing components of the unit.

Install to permit access for servicing.

Grounding is required. The unit should be installed by a qualified service representative, and grounded.



WARNING: Risk of electric shock. A licensed electrician should make all electrical connections.



WARNING: Risk of electric shock. Disconnect power before servicing.



WARNING: Risk of injury or property damage. Please read all instructions thoroughly before beginning installation, including the following requirements.

NOTICE: Follow all local plumbing and electrical codes.

Product Information

Electrical Requirements

The installation must have a Class A Ground-Fault Circuit-Interrupter (GFCI). The GFCI protects against line-to-ground shock hazard. Use a 120 V, 15 A, 60 Hz dedicated service for the whirlpool.

"H" models require a separate 120 V, 15 A, 60 Hz dedicated circuit for the in-line heater.

NOTE: If the pump supply cord is damaged, it must be replaced by the manufacturer, its service agent or similarly qualified persons in order to avoid a hazard. The heater supply cord cannot be replaced. If the cord is damaged the heater should be scrapped.

Product Notices



WARNING: Unauthorized modification may cause unsafe operation and poor performance of the whirlpool. Do not relocate the whirlpool pump, or make other modifications to the whirlpool system, as this could adversely affect the performance and safe operation of the whirlpool. Kohler Co. shall not be liable under its warranty or otherwise for personal injury or damage caused by any such unauthorized modification.



WARNING: Risk of electrical shock. Disconnect power before servicing.



WARNING: Risk of electrical shock. A licensed electrician should make all electrical connections.



WARNING: Risk of injury or property damage. Please read all instructions thoroughly before beginning installation.

NOTICE: Follow all local plumbing and electrical codes.

Factory-Assembled Features

Factory installed components include pump with power supply cord and air switch transmitter. No installation is needed.

"H" models are supplied with a factory assembled in-line heater.

The whirlpool pump and piping are factory-assembled.

Important Information (cont.)

Connections and Service Access

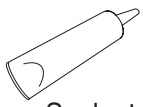
- Before installation, ensure proper access to the final connections.

NOTICE: Provide unrestricted service access to the pump. You must provide access for servicing the pump and controls. The access must be located immediately next to the pump. Study the roughing-in information packed with the whirlpool.

Table of Contents

Important Information	2
Tools and Materials	3
Before You Begin	3
Prepare the Site	4
Prepare the Whirlpool	4
Secure the Unit — Models With Support Blocks	5
Cut the Pump Banding Straps — Models With Support Blocks	6
Install the Plumbing	6
Make Electrical Connections	7
Test Run the Whirlpool	7
Complete the Finished Deck	9
Clean-Up After Installation	9
Confirm Proper Operation	10
Troubleshooting Procedure	10

Tools and Materials



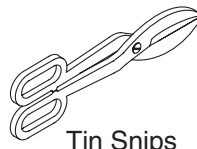
Sealant



Tape Measure



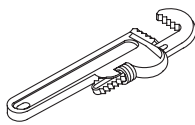
Pencil



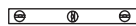
Tin Snips



Safety Glasses



Pipe Wrench



Level



Drill

Plus:

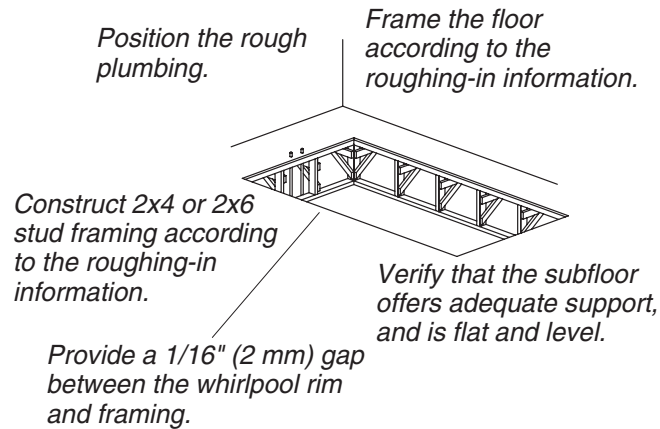
- Conventional woodworking tools and materials
- Drop cloth
- #6 large-head galvanized nails
- 2x4's
- Screws or lag bolts
- Construction Adhesive (optional)
- Cement or mortar (optional)

Before You Begin



CAUTION: Risk of product damage. Do not lift the whirlpool by the piping or pump, or use the piping or pump for structural support of the whirlpool.

- We recommend this whirlpool for drop-in installation.
- Inspect the whirlpool for damage before you begin installation.
- You must install this whirlpool to an adequately supported, level subfloor.
- Confirm adequate mounting and connection space for the faucet specified for your installation.
- Kohler Co. reserves the right to make revisions in the design of products without notice, as specified in the Price Book.



1. Prepare the Site

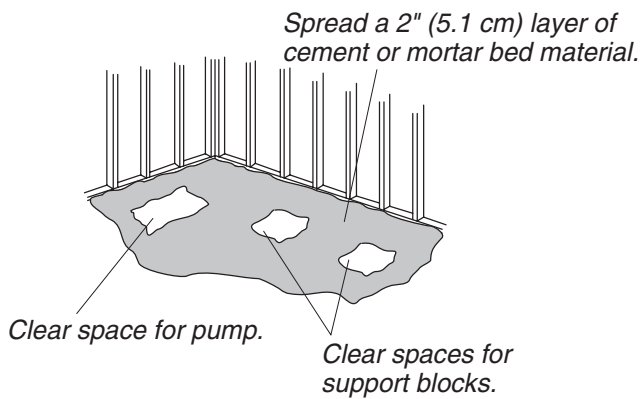
NOTICE: Refer to the Roughing-in Guide packed with your bath whirlpool for the required minimum lb/square foot (kg/square meter) floor support.

NOTICE: Do not support the whirlpool by the rim.

- Make sure the flooring offers adequate support for your whirlpool, and verify that the subfloor is flat and level.
- The whirlpool should be installed in a drop-in installation. Construct 2x4 or 2x6 stud framing designed for your particular installation. Provide for a 1/16" (2 mm) gap between the bottom of the whirlpool rim and the stud framing. Frame the floor, or construct a frame for a raised installation in accordance with the roughing-in information packed with the whirlpool.
- Position the plumbing according to the roughing-in information packed. Cap the supplies, and check for leaks.

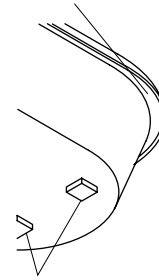
2. Prepare the Whirlpool

- Install the drain to the whirlpool according to the drain manufacturer's instructions. Do not connect the trap at this time.
- Position a clean drop cloth or similar material in the bottom of the whirlpool. Be careful not to scratch the surface of the whirlpool.



Apply a bead of silicone sealant around the entire rim.

or



Apply construction adhesive to the support blocks.

3. Secure the Unit — Models With Support Blocks



CAUTION: Risk of product damage. Do not lift the whirlpool by the piping or pump, or use the piping or pump for structural support of the whirlpool.



CAUTION: Risk of product damage. Do not support the whirlpool by the rim.

- Choose the installation option that best applies to your particular installation. Follow the appropriate instructions.
- If the subfloor is not level, shim the whirlpool support blocks as necessary.

Option Using a Cement or Mortar Bed

NOTE: Do not use gypsum cement or drywall compound for this application, as they will not provide an acceptable, durable bond.

NOTE: The pump support bracket (when the pump banding straps are cut) and support blocks must rest directly on the subfloor.

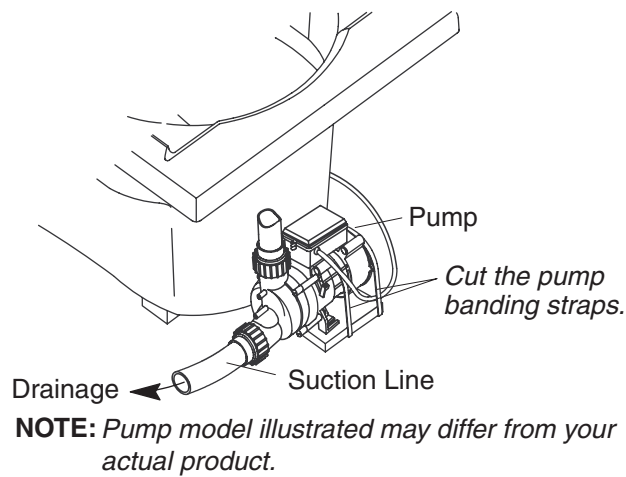
- Spread a 2" (5.1 cm) thick layer of cement or mortar on the subfloor where the whirlpool will be set. This will help secure, level, and support the unit. Clear all the material away from the pump support bracket and support block locations.
- Position a piece of plastic drop cloth material on top of the cement or mortar bed. With help, carefully lift the whirlpool into place, and make sure the pump support bracket and support blocks do not rest in the bed material.
- Insert the drain tailpiece into the trap. Make sure the whirlpool is level and resting on all support blocks.

Option Using Construction Adhesive

- Apply a generous amount of high-quality construction adhesive to the bottom of the support blocks. With help, carefully lift the whirlpool into position.
- Insert the drain tailpiece into the trap. Make sure the whirlpool is level and resting on all support blocks.

Option Using Silicone Sealant

- With help, carefully lift the whirlpool into position.
- Insert the drain tailpiece into the trap. Make sure the whirlpool is level and resting on all support blocks.
- Remove the protective tape from the rim. Apply a continuous bead of high-quality silicone sealant around the entire rim of the whirlpool.



4. Cut the Pump Banding Straps — Models With Support Blocks

IMPORTANT! This step is necessary to make your Kohler whirlpool operate more quietly.

- Use tin snips to cut the two pump banding straps.
- To minimize whirlpool noise and vibration, be sure the pump is not in direct contact with the shipping bracket after the pump banding straps are cut.
- Remove and discard the straps.

5. Install the Plumbing

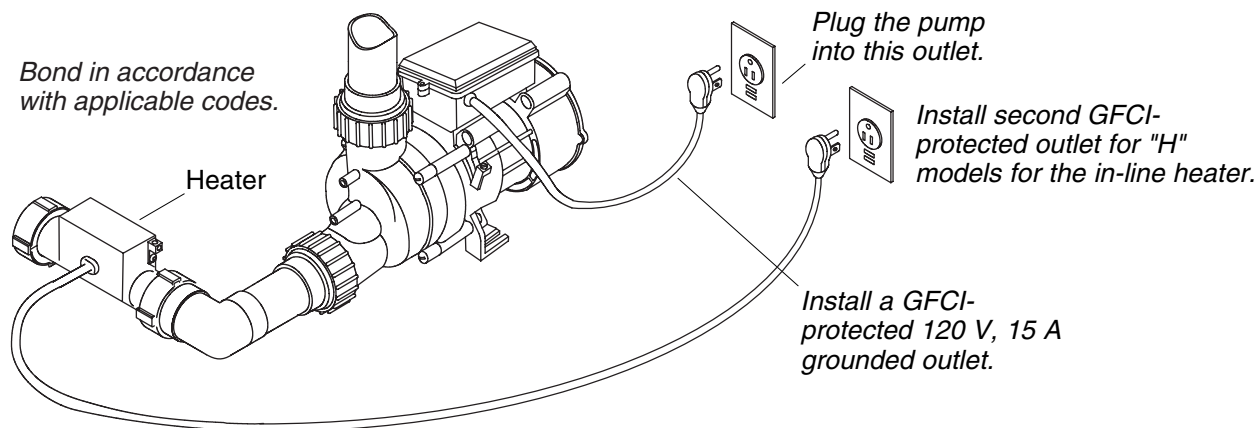


CAUTION: Risk of property damage. Ensure a watertight seal on the whirlpool drain.

- Connect the drain to the trap according to the drain manufacturer's instructions.

NOTICE: An access panel will simplify future maintenance.

- Install the faucet valving according to the faucet manufacturer's instructions. Do not install the faucet trim until instructed. Open the hot and cold water supplies, and check the supply connections for leakage.
- Run water into the whirlpool, and check the drain connections for leakage.



6. Make Electrical Connections



WARNING: Risk of electric shock. Make sure the power has been disconnected before performing the following procedures.



WARNING: Risk of electric shock. To reduce the risk of electrical shock, connect the pump and in-line heater (if heater option included) to properly grounded, grounding-type receptacles protected by Ground-Fault Circuit-Interrupters (GFCI's). Do not remove the plugs' grounding pins. Do not use grounding adapters.

Pump Wiring

NOTE: The whirlpool model number is printed on a label near the whirlpool pump. This label also identifies the electrical rating of the whirlpool.

- Your Kohler whirlpool bath is equipped with a cord and plug. All wiring of the pump and control has been completed at the factory. A licensed electrician must install a GFCI-protected, 120 V, 15 A, grounded outlet. No other load should be on this circuit. Locate the outlet behind the whirlpool, and within 24" (61 cm) of the pump.
- Plug the pump into this outlet.

NOTE: Make sure the air actuator tubing is securely attached to the pump, and is not kinked or damaged.

- If a K-1639 Timer Kit will be used, install it now according to the instructions packed.

In-line Heater Wiring

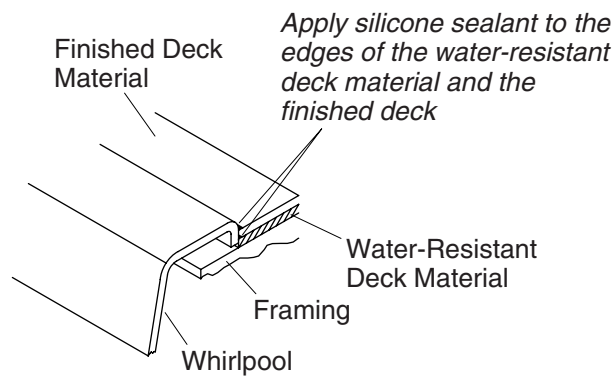
- **"H" Models:** The heater is equipped with a cord and plug. All wiring of the heater has been completed at the factory. A licensed electrician must install a GFCI-protected, 120 V, 15 A, grounded outlet. No other load should be on this circuit. Locate the outlet behind the whirlpool, and within 24" (61 cm) of the heater.
- Plug the heater into this outlet.

7. Test Run the Whirlpool

- Check all electrical connections, and make sure the electrical power to the whirlpool and heater (if equipped) is on.
- Make sure all union connections to the pump and heater are securely hand tightened.
- Verify that the pump banding straps have been cut (if applicable), and that the pump is resting directly on the subfloor or whirlpool base.
- Fill the whirlpool to a level at least 2" (5.1 cm) above the top of the highest jet.

Test Run the Whirlpool (cont.)

- Operate the whirlpool for 5 minutes, and check all whirlpool piping connections for leaks.
- For additional information on whirlpool operation, refer to "Confirm Proper Operation."

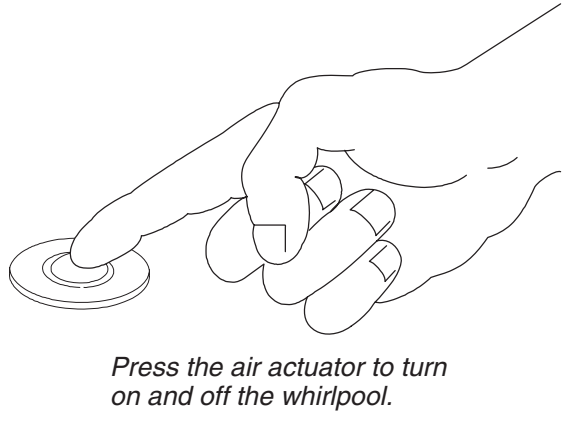
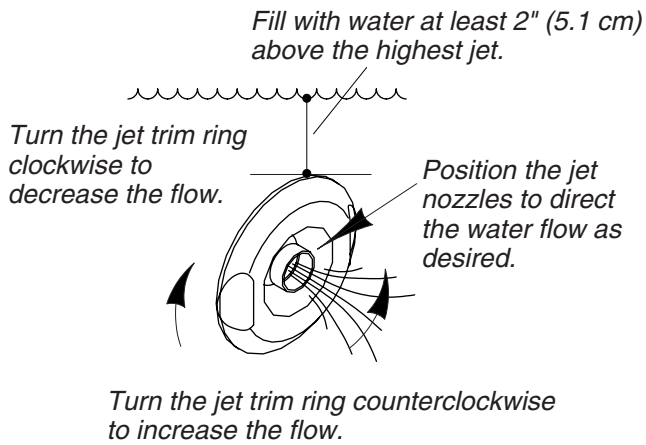


8. Complete the Finished Deck

- If you have not already done so, carefully remove the protective tape from the whirlpool rim.
- Cover the framing with water-resistant deck material. Seal the joints between the whirlpool rim edge and the water-resistant deck material with silicone sealant.
- Tape and mud the water-resistant deck material. Install the finished deck to the water-resistant deck material. Seal the joints between the whirlpool rim and the finished deck material with silicone sealant.
- Install the faucet trim according to the trim manufacturer's instructions.

9. Clean-Up After Installation

- When cleaning up after installation, **do not use abrasive cleansers**, as they may scratch and dull the whirlpool surface. Use warm water and a liquid detergent to clean the surface.
- Remove stubborn stains, paint, or tar with turpentine or paint thinner. **Do not allow cleaners containing petroleum distillates to remain in contact with any whirlpool surfaces for long periods of time.** Remove plaster by carefully scraping with a wood edge. Do not use metal scrapers, wire brushes, or other metal tools. Use a powder-type detergent on a damp cloth to provide mild abrasive action to any residual plaster.



10. Confirm Proper Operation

Fill the Whirlpool

NOTE: Please read these steps carefully before you operate your whirlpool.

- Position the jet nozzles so they face down toward the basin. Turn the jet trim rings fully counterclockwise.
- Fill the whirlpool to a water level at least 2" (5.1 cm) above the top of the highest jet.

NOTE: The water temperature in the whirlpool should not exceed 104°F (40°C).

- To service orifices insert a pencil into the end of the jet nozzle and push the orifice out. After removing any blockage, check the orifice to make sure it is clear and press it into the jet housing.

NOTE: Orifices are only installed in whirlpool jets when there are six or more jets in the whirlpool system.

Operating Sequence

- Press the air actuator to turn on the whirlpool jets.
- Adjust each jet for optimum air/water mixture. Turn the trim ring clockwise to reduce the air flow, and counterclockwise to increase the air flow.
- If equipped with a heater, the heater will engage automatically when the pump is turned on and will disengage when the pump is turned off. The heater will not turn on if the water temperature exceeds 104°F (40°C).
- Press the air actuator a second time to turn off the whirlpool.

11. Troubleshooting Procedure

Troubleshooting Guide

This troubleshooting guide is for general aid only. A Kohler Authorized Service Representative or qualified electrician should correct any electrical problems. For warranty service, contact your dealer or wholesale distributor.

Symptoms	Probable Causes	Recommended Action
1. Whirlpool does not start or stop.	<p>A. No power to motor.</p> <p>B. Air actuator does not work.</p> <p>C. Air actuator tubing is disconnected, loose, kinked, plugged, or damaged.</p>	<p>A. Set/reset the GFCI or RCD; check wiring.</p> <p>B. Replace air actuator.</p> <p>C. Connect, straighten, clean, or replace air actuator tubing.</p>

Troubleshooting Procedure (cont.)

Symptoms	Probable Causes	Recommended Action
	D. Motor/pump does not work.	D. Rebuild or replace motor/pump.
2. Motor starts, not all jets are functioning.	A. Jet is closed. B. Jets are blocked.	A. Rotate jet trim ring counterclockwise to open. B. Remove blockage.
3. Whirlpool stops automatically before 18 minutes.	A. The GFCI or RCD trips. B. Suction blocked. C. Jets are blocked. D. Motor overheated and protection device activated.	A. Identify source of fault, and correct. B. Remove obstruction. C. Remove blockage. D. Check for blockage at motor vents. Remove blockage and allow motor to cool. Check for suction blockage. Remove blockage and allow motor to cool. Check for jet blockage. Remove blockage and allow motor to cool.
4. Noisy operation.	A. Pump banding straps have not been cut. (Models with support blocks only.)	A. Cut pump banding straps with tin snips.
5. Heater does not operate. ("H" models only)	A. No power to heater. B. Water temperature exceeds 104° F (40° C). C. Heater does not work.	A. Reset the GFCI or RCD. B. Allow water to cool and heater will reengage. C. Replace heater.

Guide d'installation

Baignoire à hydromassage

Renseignements importants



AVERTISSEMENT : Lors de l'utilisation des produits électriques, des précautions de base devraient toujours être observées, incluant ce qui suit:



DANGER : Risque d'électrocution. Raccorder uniquement à une prise de terre protégée par un disjoncteur différentiel (GFCI).

Les matériaux de construction et le câblage devraient être acheminés loin du corps de la pompe et des autres composants qui dégagent de la chaleur de l'unité.

Installer de façon à permettre l'accès pour l'entretien.

Une mise à la terre est requise. L'unité devrait être installée par un représentant qualifié, et mise à la terre.



AVERTISSEMENT : Risque d'électrocution. Un électricien agréé devrait faire toutes les connexions électriques.



AVERTISSEMENT : Risque d'électrocution. Débrancher l'alimentation avant de procéder à l'entretien.



AVERTISSEMENT : Risque de blessures ou d'endommagement du matériel. Veuillez s'il vous plaît lire avec attention toutes les instructions avant de commencer l'installation, y compris les conditions suivantes:

AVIS : Respecter tous les codes de plomberie et électriques locaux.

Information sur le produit

Branchements électriques requis

L'installation doit avoir un disjoncteur de fuite de terre de classe A (GFCI). Le disjoncteur GFCI protège contre les risques de chocs. Utiliser une alimentation de 120 V, 15 A, 60 Hz dédiée à la baignoire à hydromassage.

Les modèles "H" nécessitent d'une alimentation dédiée de 120 V, 15 A, 60 Hz pour le chauffe-eau en ligne.

REMARQUE : Si le câble d'alimentation de la pompe est endommagé, il doit être remplacé par le fabricant, son représentant ou autre personnel similaire qualifié pour éviter tout danger. Le cordon d'alimentation du chauffe-eau ne peut pas être remplacé. Si le cordon est endommagé, le chauffe-eau devrait être retiré.

Notices du produit



AVERTISSEMENT : Des modifications non approuvées pourraient provoquer un fonctionnement dangereux ou un mauvais fonctionnement de la baignoire à hydromassage. Ne pas déplacer la pompe d'hydromassage ou effectuer d'autres modifications au système d'hydromassage car cela pourrait affecter les performances et la sécurité de la baignoire à hydromassage. Kohler Co. décline toute responsabilité sous ses garanties quant à toutes blessures ou dommages causés par des modifications non autorisées.



AVERTISSEMENT : Risque d'électrocution. Débrancher l'alimentation avant de procéder à l'entretien.

Renseignements importants (cont.)



AVERTISSEMENT : Risque d'électrocution. Un électricien agréé devrait faire toutes les connexions électriques.



AVERTISSEMENT : Risque de blessures ou d'endommagement du matériel. Veuillez lire toutes les instructions avant de commencer l'installation.

AVIS : Respecter tous les codes de plomberie et électriques locaux.

Pièces assemblées en usine

Les composants installés en usine comprennent la pompe avec câble d'alimentation électrique et l'interrupteur d'air. Aucune installation n'est nécessaire.

Les modèles "H" sont fournis avec un chauffe-eau en ligne assemblé en usine.

La pompe et la tuyauterie de la baignoire à hydromassage ont été assemblées en usine.

Connexions et accès pour l'entretien

- S'assurer d'avoir suffisamment d'accès pour les connexions finales avant l'installation.

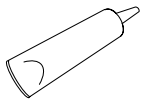
Renseignements importants (cont.)

AVIS : Fournir un panneau d'accès libre à la pompe. Il faut prévoir un accès pour l'entretien de la pompe et des contrôles. L'accès doit être situé tout près de la pompe. Étudier l'information de raccordement emballée avec la baignoire à hydromassage.

Sommaire

Renseignements importants	1
Outils et matériels	3
Avant de commencer	3
Préparer le site	4
Préparer la baignoire à hydromassage	4
Sécuriser l'unité - Modèles avec blocs de support	5
Couper les sangles de la pompe—Modèles avec blocs de support	7
Installer la plomberie	7
Faire les connexions électriques	8
Tester la baignoire à hydromassage	8
Compléter le comptoir fini	10
Nettoyage après installation	10
Confirmer la bonne opération	11
Procédure de dépannage	11

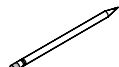
Outils et matériels



Matériau
d'étanchéité



Mètre
ruban



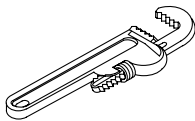
Crayon
à papier



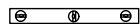
Cisaille de
ferblantier



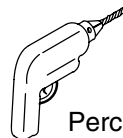
Lunettes de
protection



Clé à tuyau



Niveau à bulle



Perceuse

Plus:

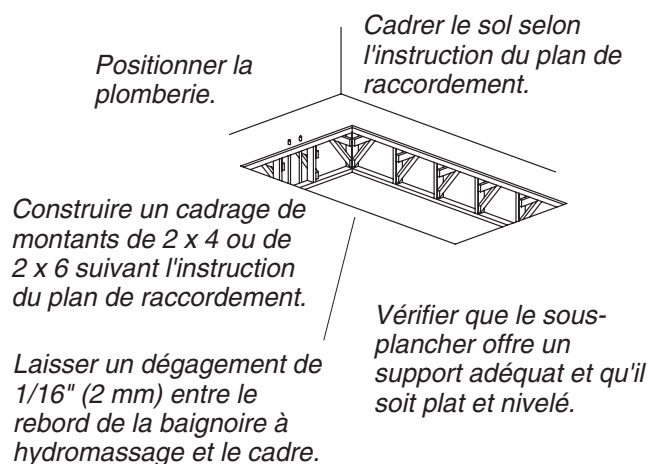
- Outils conventionnels de menuiserie et matériels
- Bâche de protection
- Clous galvanisés #6 à tête large
- 2x4
- Vis ou tire-fonds
- Adhésif de construction (optionnel)
- Ciment ou mortier (optionnel)

Avant de commencer



ATTENTION : Risque d'endommagement du produit. Ne pas soulever la baignoire à hydromassage par la tuyauterie ou par la pompe ou utiliser la tuyauterie ou la pompe pour supporter la baignoire à hydromassage.

- Nous recommandons cette baignoire à hydromassage pour une installation encastrée.
- Avant l'installation, examiner la baignoire à hydromassage pour déceler tout dommage.
- Cette baignoire à hydromassage doit être installée sur un plancher proprement supporté et nivelé.
- S'assurer que l'espace de montage et de raccordement du robinet soit adéquat pour l'installation.
- Kohler Co. se réserve le droit d'apporter toutes modifications sur le design des produits et ceci sans préavis, tel que spécifié dans le catalogue des prix.



1. Préparer le site

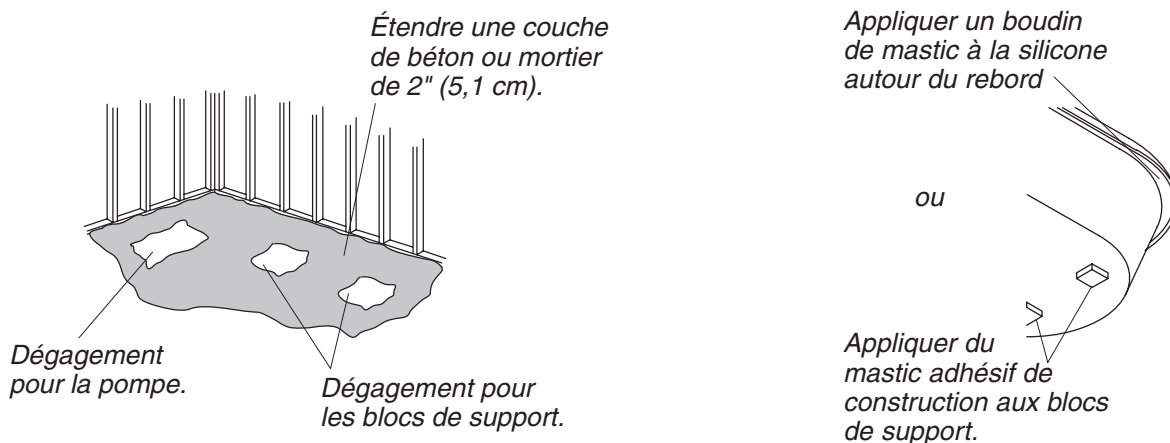
AVIS : Se référer au guide de raccordement emballé avec la baignoire à hydromassage pour le support de sol minimum requis lb/pied carré (kg/mètre carré).

AVIS : Ne pas soulever la baignoire à hydromassage par le rebord.

- S'assurer que le sol constitue un support adéquat pour la baignoire à hydromassage et que le plancher soit plat et nivelé.
- La baignoire à hydromassage devrait être installée dans un espace encastré. Construire un cadre avec des montants de 2x4 ou de 2x6 pour votre installation particulière. Prévoir un dégagement de [1/16" (2 mm)] entre la base du rebord de la baignoire à hydromassage et le cadre. Cadrer le sol ou construire un cadre pour une installation surélevée conformément au plan de raccordement fourni avec la baignoire à hydromassage.
- Déterminer l'emplacement de la plomberie selon le plan de raccordement fourni. Boucher les alimentations et vérifier s'il y a des fuites.

2. Préparer la baignoire à hydromassage

- Installer le drain sur la baignoire à hydromassage selon les instructions du fabricant. Ne pas connecter le siphon à ce moment.
- Placer un chiffon propre ou matière similaire à la base de la baignoire à hydromassage. S'assurer de ne pas rayer la surface de la baignoire à hydromassage.



3. Sécuriser l'unité - Modèles avec blocs de support



ATTENTION : Risque d'endommagement du produit. Ne pas soulever la baignoire à hydromassage par la tuyauterie ou par la pompe ou utiliser la tuyauterie ou la pompe pour supporter la baignoire à hydromassage.



ATTENTION : Risque d'endommagement du produit. Ne pas soulever la baignoire à hydromassage par le rebord.

- Choisir l'option d'installation qui s'applique le mieux à votre installation. Suivre les instructions correspondantes.
- Si le plancher n'est pas nivelé, placer des blocs de renfort sous la baignoire à hydromassage, si nécessaire.

Option pour utilisation de lit de ciment ou de mortier

REMARQUE : Ne pas utiliser de plâtre ou un mélange pour cloison sèche pour cette installation, car ces produits ne fourniront pas un scellement acceptable, et durable.

REMARQUE : Le support de pompe (une fois les sangles de retenue coupées) et les blocs de support doivent reposer directement sur le sol.

- Étendre une couche de ciment ou mortier de 2" (5,1 cm) d'épaisseur sur le plancher à l'endroit d'installation de la baignoire. Ceci aidera à sécuriser, niveler et supporter l'unité. Ecarter tout matériau de l'emplacement du montant de la pompe et des blocs de support.
- Positionner une bâche en plastique sur le lit de ciment ou de mortier. Avec de l'assistance, soulever et mettre soigneusement la baignoire à hydromassage en place et s'assurer que le support de pompe et les blocs de renfort ne reposent pas sur le matériau de l'embase.
- Insérer la pièce de raccordement du drain dans le siphon. S'assurer que la baignoire à hydromassage soit nivelée et qu'elle repose sur tous les blocs de renfort.

Option pour l'utilisation de mastic adhésif de construction

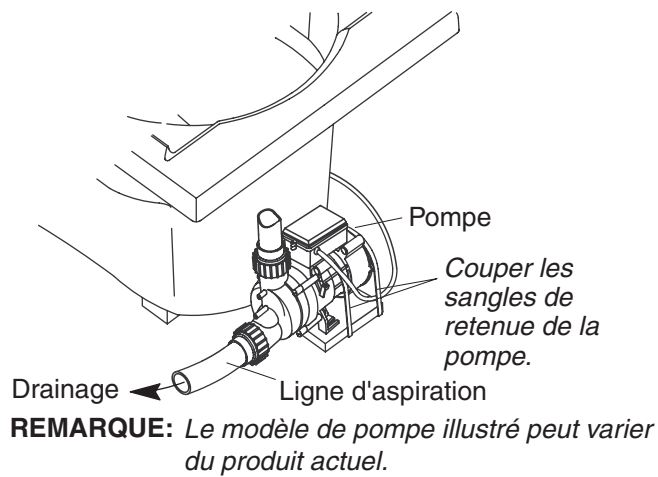
- Appliquer un adhésif de construction de haute qualité à la base des blocs de renfort. Avec de l'assistance, soulever et mettre la baignoire à hydromassage en place avec précaution.
- Insérer la pièce de raccordement du drain dans le siphon. S'assurer que la baignoire à hydromassage soit nivelée et qu'elle repose sur tous les blocs de renfort.

Option d'utilisation de mastic d'étanchéité à la silicone

- Avec de l'assistance, soulever et mettre la baignoire à hydromassage en place avec précaution.
- Insérer la pièce de raccordement du drain dans le siphon. S'assurer que la baignoire à hydromassage soit nivelée et qu'elle repose sur tous les blocs de renfort.

Sécuriser l'unité - Modèles avec blocs de support (cont.)

- Retirer la pellicule protectrice du rebord. Appliquer du mastic à la silicone de bonne qualité tout autour du rebord de la baignoire à hydromassage.



4. Couper les sangles de la pompe—Modèles avec blocs de support

IMPORTANT ! Cette étape est nécessaire pour que votre baignoire à hydromassage Kohler fonctionne plus silencieusement.

- Couper les sangles de retenue de la pompe avec une cisaille de ferblantier.
- Pour réduire les bruits et vibrations émanant de la baignoire à hydromassage, s'assurer que la pompe ne soit pas en contact direct des supports d'expédition après que les sangles aient été sectionnées.
- Retirer et jeter les sangles.

5. Installer la plomberie

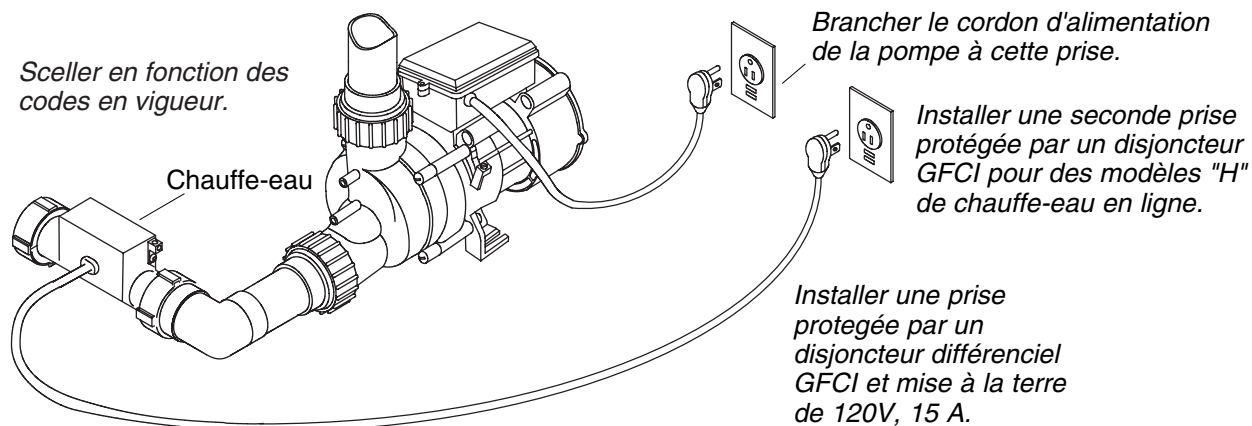


ATTENTION : Risque d'endommagement du matériel. Assurer un joint étanche sur le drain de la baignoire à hydromassage.

- Connecter le drain au siphon selon les instructions du fabricant.

AVIS : Un panneau d'accès facilitera une maintenance future.

- Installer les valves du robinet conformément aux instructions du fabricant du robinet. Ne pas installer la garniture du robinet avant l'instruction de le faire. Ouvrir les alimentations d'eau chaude et froide et vérifier qu'il n'y ait pas de fuites.
- Laisser couler l'eau dans la baignoire à hydromassage et vérifier s'il y a des fuites dans les raccords du drain.



6. Faire les connexions électriques



AVERTISSEMENT : Risque d'électrocution. S'assurer que l'alimentation ait été débranchée avant d'effectuer les procédures suivantes.



AVERTISSEMENT : Risque d'électrocution. Afin de réduire les risques de choc électrique, raccorder la pompe et le chauffe-eau en ligne (si cette option est incluse) à des réceptacles à prise de terre, protégés par un disjoncteur différentiel. Ne pas retirer les broches de mise à la terre. Ne pas utiliser d'adaptateurs de mise à la terre.

Câblage de pompe

REMARQUE : Le numéro de modèle de la baignoire à hydromassage est imprimé sur l'étiquette qui est près de la pompe d'hydromassage. Cette étiquette identifie le calibrage électrique de la baignoire à hydromassage.

- La baignoire à hydromassage Kohler est dotée d'une fiche et d'un cordon d'alimentation. Tous les câblages de la pompe et du contrôle ont été effectués en usine. Un électricien agréé doit installer la sortie de mise à la terre de 120 V, 15 A protégée par disjoncteur de fuite à la terre. Aucune autre charge ne doit être montée sur ce circuit. Localiser la prise de courant derrière la baignoire à hydromassage, dans les 24" (61 cm) de la pompe.
- Brancher la pompe dans cette prise.

REMARQUE : S'assurer d'attacher fermement l'interrupteur d'air à la pompe, et qu'il ne soit ni pincé ou endommagé.

- Si un kit de minuterie K-1639 sera utilisé, l'installer à ce moment selon les instructions emballées.

Câblage de chauffe-eau en ligne

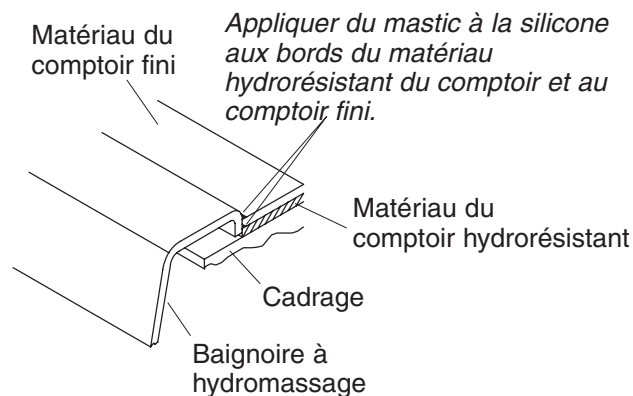
- **Modèles "H" :** Le chauffe-eau est doté d'une prise et d'un cordon d'alimentation. Tous les câblages du chauffe-eau ont été effectués en usine. Un électricien agréé doit installer la sortie de mise à la terre de 120 V, 15 A protégée par disjoncteur de fuite à la terre. Aucune autre charge ne doit être montée sur ce circuit. Localiser la prise de courant derrière la baignoire à hydromassage, à 24" (61 cm) de distance du chauffe-eau.
- Brancher le chauffe-eau dans cette prise.

7. Tester la baignoire à hydromassage

- Contrôler toutes les connexions électriques et s'assurer que la baignoire à hydromassage et que le chauffe-eau soient alimentés.
- S'assurer que tous les raccords à la pompe et au chauffe-eau soient fermement serrés à la main.

Tester la baignoire à hydromassage (cont.)

- S'assurer également que les sangles de retenue des pompes ont été sectionnés (si applicable) et que la pompe repose directement sur le sol ou sur la base de baignoire.
- Remplir la baignoire à hydromassage à au moins 2" (5,1 cm) au-dessus du jet le plus élevé.
- Faire fonctionner la baignoire à hydromassage pendant 5 minutes et, vérifier que tous les raccords des tuyaux de la baignoire à hydromassage n'aient pas de fuites.
- Pour plus d'information concernant le fonctionnement de la baignoire à hydromassage, se référer à "Confirmer la bon opération."

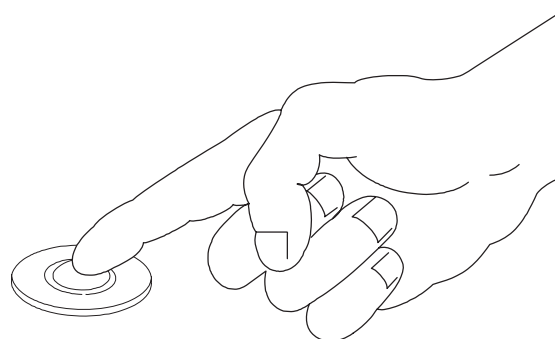
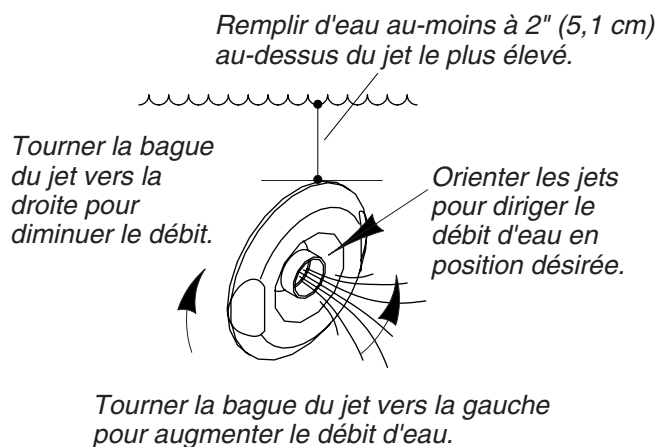


8. Compléter le comptoir fini

- Retirer soigneusement la pellicule de protection recouvrant la surface de la baignoire à hydromassage si cela n'a pas déjà été fait.
- Recouvrir le cadre avec du matériau hydro-résistant. Fixer les joints entre le rebord de la baignoire à hydromassage et le matériau hydro-résistant du comptoir à l'aide de mastic à la silicone.
- Appliquer le matériau hydro-résistant du comptoir. Installer le comptoir fini sur le matériau hydro-résistant. Fixer les joints entre le rebord de la baignoire et le matériau du comptoir fini à l'aide de mastic à la silicone.
- Installer la garniture du robinet conformément aux instructions du fabricant.

9. Nettoyage après installation

- Lors du nettoyage après l'installation, **ne pas utiliser de nettoyeur abrasif**, car il pourrait rayer et abîmer la surface de la baignoire à hydromassage. Utiliser de l'eau tiède et un savon doux pour nettoyer la surface.
- Retirer les taches résistantes, peinture, ou goudron avec de l'essence de térébenthine ou un diluant pour peinture. **Ne pas laisser de nettoyeurs à base de pétrole en contact avec les surfaces de la baignoire à hydromassage pendant une longue période.** Retirer les résidus de plâtre en raclant au moyen d'un bord en bois. Ne pas utiliser de grattoirs en métal, une brosse en fer ou d'autres outils en métal. Utiliser des nettoyeurs en poudre sur un chiffon humide pour une action abrasive douce sur les résidus de plâtre.



Appuyer sur l'interrupteur d'air pour activer ou arrêter la baignoire à hydromassage.

10. Confirmer la bonne opération

Remplir la baignoire à hydromassage

REMARQUE : Veuillez lire avec attention ces étapes avant d'opérer la baignoire à hydromassage.

- Orienter les buses du jet vers le fond du bassin. Tourner les bagues de garniture du jet complètement vers la gauche.
- Remplir la baignoire à hydromassage à au moins 2" (5,1 cm) au-dessus du jet le plus élevé.

REMARQUE : La température de la baignoire à hydromassage ne devrait pas excéder 104°F (40°C).

- Pour l'entretien des orifices, introduire un crayon dans l'extrémité du jet et presser l'orifice à l'extérieur. Après avoir retiré tout blocage, inspecter l'orifice pour s'assurer qu'il soit dégagé et le presser dans le logement du jet.

REMARQUE : Ces orifices ne sont installés dans les jets de baignoire à hydromassage que lorsque le système contient six jets ou plus.

Séquence d'opération

- Appuyer sur l'interrupteur d'air pour activer les jets d'hydromassage.
- Ajuster chaque jet pour un mélange optimal d'eau et d'air. Tourner l'anneau à droite pour réduire le débit d'air, ou à gauche pour l'augmenter.
- Si équipé d'un chauffe-eau, celui-ci s'activera automatiquement avec la mise en marche de la pompe, et s'arrêtera quand la pompe est éteinte. Le chauffe-eau ne s'activera pas si la température de l'eau excède 104°F (40°C).
- Appuyer sur l'interrupteur d'air une seconde fois pour arrêter la baignoire à hydromassage.

11. Procédure de dépannage

Guide de dépannage

Ce guide de dépannage est seulement destiné à une aide générale. Seul un agent agréé de Kohler ou un électricien qualifié devrait corriger tous les problèmes électriques. Pour une réparation sous garantie, contacter le vendeur ou distributeur.

Symptômes	Causes probables	Action recommandée
1. La baignoire à hydromassage ne démarre/s'arrête pas.	A. Pas de courant au moteur. B. L'interrupteur d'air ne fonctionne pas.	A. Régler/réinitialiser le GFCI ou le RCD; vérifier le câblage. B. Remplacer l'interrupteur d'air.

Procédure de dépannage (cont.)

Symptômes	Causes probables	Action recommandée
	<p>C. Le tube d'interrupteur d'air est débranché, desserré, pincé, bouché ou endommagé.</p> <p>D. Le moteur/pompe ne fonctionne pas.</p>	<p>C. Brancher, serrer, nettoyer ou remplacer la tuyauterie de l'interrupteur d'air.</p> <p>D. Reconstruire ou remplacer le moteur/pompe.</p>
<p>2. Le moteur démarre, tous les jets ne fonctionnent pas.</p>	<p>A. Le jet est fermé.</p> <p>B. Les jets sont bloqués.</p>	<p>A. Tourner la bague du jet vers la gauche pour l'ouvrir.</p> <p>B. Retirer le blocage.</p>
<p>3. La baignoire à hydromassage s'arrête automatiquement avant 18 minutes.</p>	<p>A. Le GFCI ou RCD se déclenchent.</p> <p>B. L'aspiration est bloquée.</p> <p>C. Les jets sont bloqués.</p> <p>D. Moteur surchauffé et système de protection activé.</p>	<p>A. Identifier la source du problème puis remédier.</p> <p>B. Retirer l'obstruction.</p> <p>C. Retirer le blocage.</p> <p>D. Vérifier s'il y a un blocage aux prises d'air du moteur. Retirer l'obstruction et laisser le moteur refroidir. Vérifier si la conduite d'aspiration n'est pas bouchée. Retirer l'obstruction et laisser le moteur refroidir. Vérifier si les jets sont bouchés. Retirer l'obstruction et laisser le moteur refroidir.</p>
<p>4. Fonctionnement bruyant.</p>	<p>A. Les sangles de retenue de la pompe n'ont pas été coupées. (Modèles avec des blocs de support uniquement).</p>	<p>A. Couper les sangles de retenue avec des cisailles de ferblantier.</p>
<p>5. Le chauffe-eau ne fonctionne pas. (Modèles "H" uniquement)</p>	<p>A. Pas de courant au chauffe-eau.</p> <p>B. La température de l'eau excède 104° F (40° C).</p> <p>C. Le chauffe-eau ne fonctionne pas.</p>	<p>A. Réinitialiser le GFCI ou le RCD.</p> <p>B. Laisser refroidir et le chauffe-eau redémarrera.</p> <p>C. Remplacer le chauffe-eau.</p>

Guía de instalación

Bañera de hidromasaje

Información importante



ADVERTENCIA: Al usar aparatos eléctricos, siga siempre las precauciones básicas, incluyendo las siguientes:



PELIGRO: Riesgo de descarga eléctrica. Conecte sólo a un circuito protegido con un interruptor de circuito con pérdida a tierra (GFCI).

El material de construcción y el cableado se deben colocar lejos del cuerpo de la bomba y de otros componentes que produzcan calor.

Instale la unidad de manera que se permita el acceso para darle servicio.

La conexión a tierra es un requisito. Un representante de servicio autorizado debe instalar esta unidad y conectarla a tierra.



ADVERTENCIA: Riesgo de descarga eléctrica. Un electricista calificado debe realizar todas las conexiones eléctricas.



ADVERTENCIA: Riesgo de descarga eléctrica. Desconecte el suministro eléctrico antes de dar servicio.



ADVERTENCIA: Riesgo de lesiones personales o daños a la propiedad. Lea atentamente todas las instrucciones antes de comenzar la instalación, incluyendo los requisitos detallados a continuación.

AVISO: Cumpla con todos los códigos locales de electricidad y de plomería.

Información sobre el producto

Requisitos eléctricos

La instalación debe contar con un interruptor de circuito con pérdida a tierra (GFCI) de Clase A. El GFCI protege contra el peligro de descarga eléctrica de línea a tierra. Utilice un circuito dedicado de 120 V, 15 A y 60 Hz para la bañera de hidromasaje.

Los modelos "H" requieren un circuito dedicado de 120 V, 15 A y 60 Hz para el calentador en línea.

NOTA: Si el cable eléctrico de la bomba está dañado, debe ser reemplazado por el fabricante, un agente de servicio autorizado por el fabricante o personas igualmente calificadas para así evitar un peligro. El cable eléctrico del calentador no se puede reemplazar. Si el cable eléctrico está dañado, el calentador se debe desechar.

Avisos sobre el producto



ADVERTENCIA: Las modificaciones no autorizadas pueden causar un funcionamiento peligroso y bajo rendimiento de la bañera de hidromasaje. No cambie la ubicación de la bomba de la bañera de hidromasaje, ni haga otras modificaciones en el sistema de hidromasaje, ya que esto podría tener un efecto adverso en el rendimiento y en el funcionamiento seguro de la bañera de hidromasaje. Kohler Co. no se hace responsable bajo esta garantía o de ninguna otra forma, de las lesiones personales o los daños provocados por modificaciones no autorizadas.



ADVERTENCIA: Riesgo de descarga eléctrica. Desconecte el suministro eléctrico antes de dar servicio.

Información importante (cont.)



ADVERTENCIA: Riesgo de descarga eléctrica. Un electricista calificado debe realizar todas las conexiones eléctricas.



ADVERTENCIA: Riesgo de lesiones personales o daños a la propiedad. Por favor, lea atentamente todas las instrucciones antes de comenzar la instalación.

AVISO: Cumpla con todos los códigos locales de electricidad y de plomería.

Componentes ensamblados en fábrica

Los componentes instalados en la fábrica incluyen la bomba con cable de alimentación eléctrica y el interruptor de aire. No es necesario instalarlos.

Los modelos "H" vienen equipados con un calentador en línea ensamblado en fábrica.

La bomba y las tuberías de la bañera de hidromasaje están montadas en fábrica.

Acceso de servicio y a las conexiones

- Antes de instalar, asegúrese de proveer el acceso adecuado a las conexiones finales.

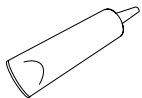
Información importante (cont.)

AVISO: Provea acceso sin restricciones para dar servicio a la bomba. Se debe proveer acceso para dar servicio a la bomba y los controles. El panel de acceso se debe ubicar justo al lado de la bomba. Consulte el diagrama de instalación incluido con la bañera de hidromasaje.

Contenido

Información importante	1
Herramientas y materiales	3
Antes de comenzar	3
Prepare el sitio	4
Prepare la bañera de hidromasaje	4
Fije la unidad - Modelos con bloques de soporte	5
Corte las cintas de la bomba—Modelos con bloques de soporte	7
Instale la plomería	7
Realice las conexiones eléctricas	8
Pruebe el funcionamiento de la bañera de hidromasaje	8
Termine la cubierta acabada	10
Limpieza después de la instalación	10
Confirme el funcionamiento correcto	11
Procedimientos para resolver problemas	11

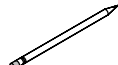
Herramientas y materiales



Sellador



Cinta para medir



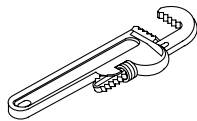
Lápiz



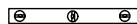
Tijeras para chapa



Lentes de seguridad



Llave para tubo



Nivel



Taladro

Más:

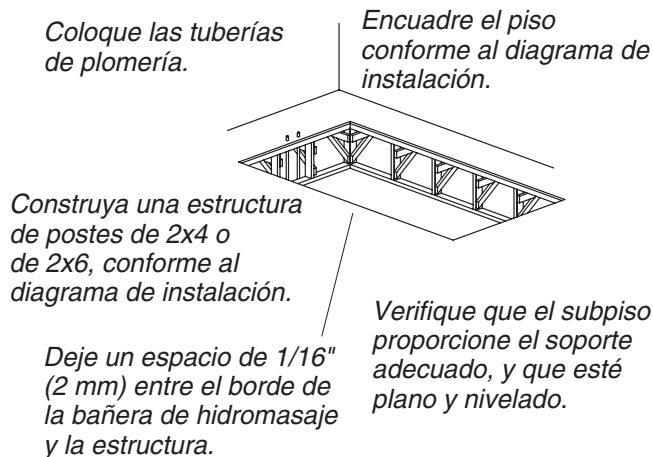
- Herramientas y materiales convencionales para trabajar la madera
- Lona
- Clavos grandes galvanizados del #6
- Postes de 2x4
- Tornillos o pernos de fijación
- Adhesivo de construcción (opcional)
- Cemento o mortero (opcional)

Antes de comenzar



PRECAUCIÓN: Riesgo de daños al producto. No levante la bañera de hidromasaje por los tubos o la bomba, ni use los tubos o la bomba como soporte estructural de la bañera de hidromasaje.

- Recomendamos que instale esta bañera de hidromasaje en instalación de sobreponer.
- Verifique que la bañera de hidromasaje no esté dañada antes de iniciar la instalación.
- Es necesario instalar la bañera de hidromasaje en un subpiso nivelado y con suficiente soporte.
- Confirme que haya suficiente espacio para montar y conectar la grifería especificada para su instalación.
- Kohler Co. se reserva el derecho de modificar el diseño de los productos sin previo aviso, tal como se especifica en la lista de precios.



1. Prepare el sitio

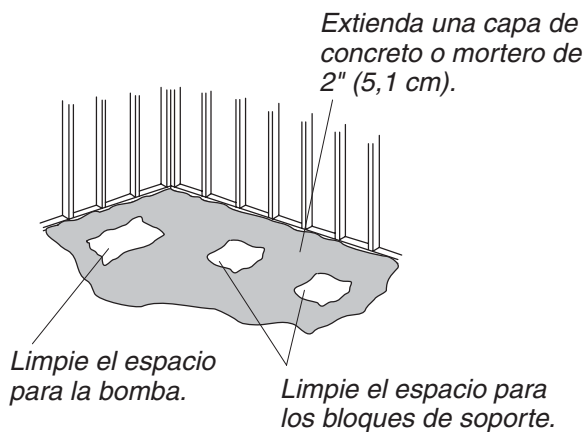
AVISO: Consulte la Guía del diagrama de instalación embalada con su bañera de hidromasaje para el soporte mínimo requerido del piso en libras/pie cuadrado (kg/metro cuadrado).

AVISO: No apoye la bañera de hidromasaje por los bordes.

- Asegúrese de que el piso ofrezca suficiente soporte para su bañera de hidromasaje y que el subpiso esté plano y nivelado.
- La bañera de hidromasaje debe instalarse sobrepuesta. Construya una estructura de postes de 2x4 ó 2x6 diseñada para su instalación en particular. Provea un espacio de 1/16" (2 mm) entre la parte inferior del borde de la bañera de hidromasaje y la estructura de postes. Construya la estructura del piso o construya una estructura para una instalación elevada, conforme a la información del diagrama de instalación provista con la bañera de hidromasaje.
- Instale las tuberías de plomería según el diagrama de instalación provisto. Tape los suministros y verifique que no haya fugas.

2. Prepare la bañera de hidromasaje

- Instale el desagüe en la bañera de hidromasaje según las instrucciones del fabricante del desagüe. Aún no conecte la trampa.
- Coloque una lona gruesa limpia o un material similar en el fondo de la bañera de hidromasaje. Tenga cuidado de no rayar la superficie de la bañera de hidromasaje.



3. Fije la unidad - Modelos con bloques de soporte



PRECAUCIÓN: Riesgo de daños al producto. No levante la bañera de hidromasaje por los tubos o la bomba, ni use los tubos o la bomba como soporte estructural de la bañera de hidromasaje.



PRECAUCIÓN: Riesgo de daños al producto. No apoye la bañera de hidromasaje por los bordes.

- Elija la opción de instalación más apropiada para su instalación en particular. Siga las instrucciones correspondientes.
- Si el subpiso no está nivelado, acúñe los bloques de soporte de la bañera de hidromasaje según sea necesario.

Opción que utiliza una capa de cemento o mortero

NOTA: No utilice cemento de yeso o pasta para paneles de yeso con esta aplicación, puesto que no proporcionarán una adherencia aceptable ni duradera.

NOTA: El soporte de la bomba (cuando las cintas metálicas están cortadas) y los bloques de soporte deben descansar directamente sobre el subpiso.

- Extienda una capa de 2" (5,1 cm) de espesor de cemento o mortero en el subpiso donde se instalará la bañera de hidromasaje. Esto ayudará a fijar, nivelar y dar soporte a la unidad. Limpie todo el material de la zona donde se instalarán los soportes de la bomba y los bloques de soporte.
- Coloque un pedazo de lona gruesa de plástico sobre el cemento o mortero. Obtenga ayuda para colocar la bañera de hidromasaje en su lugar y verifique que el soporte de la bomba y los bloques de soporte no se apoyen sobre la capa de material.
- Inserte el tubo final en la trampa. Asegúrese de que la bañera de hidromasaje esté nivelada y apoyada sobre todos los bloques de soporte.

Opción que utiliza adhesivo de construcción

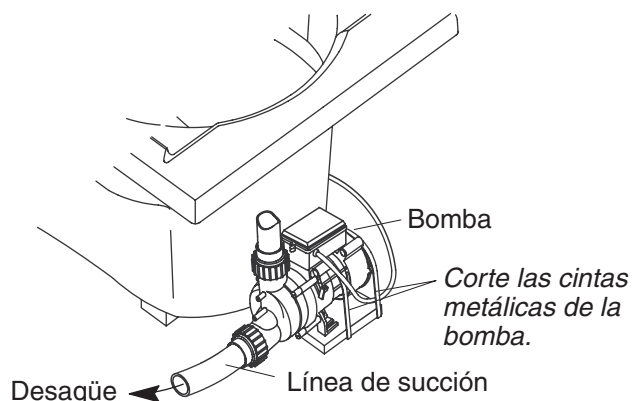
- Aplique una cantidad abundante de adhesivo de construcción de alta calidad en la parte inferior de los bloques de soporte. Obtenga ayuda para colocar con cuidado la bañera de hidromasaje en su lugar.
- Inserte el tubo final en la trampa. Asegúrese de que la bañera de hidromasaje esté nivelada y apoyada sobre todos los bloques de soporte.

Opción que utiliza sellador de silicona

- Obtenga ayuda para colocar con cuidado la bañera de hidromasaje en su lugar.
- Inserte el tubo final en la trampa. Asegúrese de que la bañera de hidromasaje esté nivelada y apoyada sobre todos los bloques de soporte.

Fije la unidad - Modelos con bloques de soporte (cont.)

- Retire la cinta protectora del borde. Aplique una tira continua de sellador de silicona de buena calidad alrededor de todo el borde de la bañera de hidromasaje.



NOTA: Es posible que el modelo de bomba ilustrado sea diferente al producto que haya adquirido.

4. Corte las cintas de la bomba—Modelos con bloques de soporte

¡IMPORTANTE! Este paso es necesario para que su bañera de hidromasaje Kohler funcione más silenciosamente.

- Utilice tijeras de chapa para cortar las dos cintas metálicas de la bomba.
- Para minimizar el ruido y la vibración de la bañera de hidromasaje, asegúrese de que la bomba no esté en contacto directo con el soporte de transporte una vez cortadas las cintas metálicas.
- Quite y deseche las cintas.

5. Instale la plomería

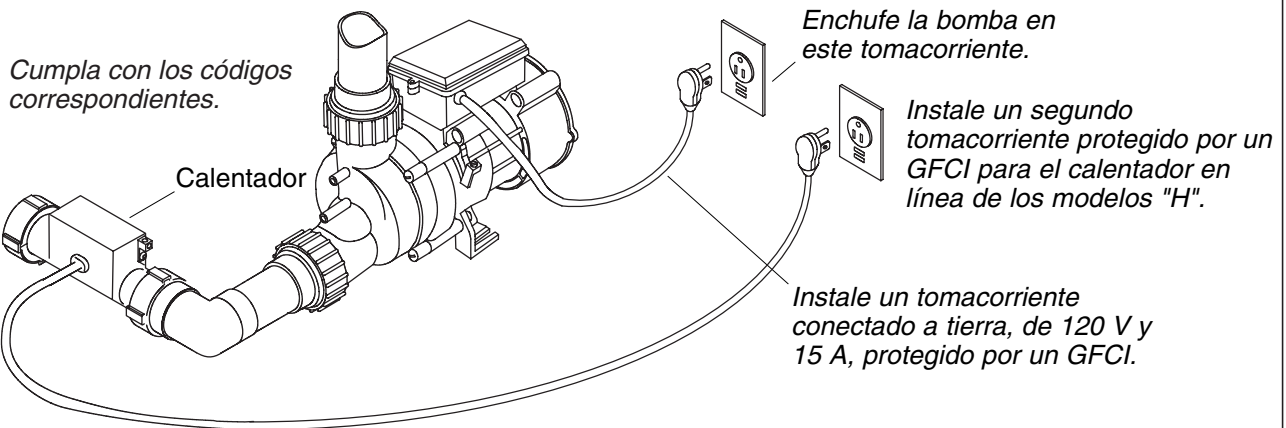


PRECAUCIÓN: Riesgo de daños a la propiedad. Asegúrese de que haya un sellado impermeable en el desagüe de la bañera de hidromasaje.

- Conecte el desagüe a la trampa según las instrucciones del fabricante del desagüe.

AVISO: Un panel de acceso facilitará el mantenimiento futuro.

- Instale las válvulas de la grifería según las instrucciones del fabricante de la grifería. No instale la guarnición de la grifería hasta que se le indique. Abra los suministros del agua caliente y fría, y compruebe que no haya fugas en las conexiones de suministro.
- Haga que el agua circule en la bañera de hidromasaje y compruebe que no haya fugas en las conexiones del desagüe.



6. Realice las conexiones eléctricas



ADVERTENCIA: Riesgo de descarga eléctrica. Asegúrese de desconectar la corriente eléctrica antes de realizar el siguiente procedimiento.



ADVERTENCIA: Riesgo de descarga eléctrica. Para reducir el riesgo de descarga eléctrica, conecte la bomba y el calentador en línea (de estar incluida la opción del calentador) a tomacorrientes correctamente conectados a tierra, protegidos con un interruptor de circuito con pérdida a tierra (GFCI). No retire las patas de conexión a tierra de los enchufes. No utilice adaptadores de conexión a tierra.

Cableado de la bomba

NOTA: El número de modelo de la bañera de hidromasaje está impreso en una etiqueta cerca de la bomba de la bañera de hidromasaje. Esta etiqueta también identifica la capacidad nominal eléctrica de la bañera de hidromasaje.

- La bañera de hidromasaje Kohler está equipada con un cable y un enchufe. Todo el cableado de la bomba y el control se ha realizado en fábrica. Un electricista calificado debe instalar un tomacorriente conectado a tierra, de 120 V, 15 A y protegido por un interruptor GFCI. Este circuito no debe tener ninguna otra carga. Coloque el tomacorriente detrás de la bañera de hidromasaje y a menos de 24" (61 cm) de la bomba.
- Enchufe la bomba en este tomacorriente.

NOTA: Asegúrese de que el tubo del accionador de aire esté bien conectado a la bomba y que no esté doblado o dañado.

- Si se emplea el kit de temporizador K-1639, instálelo ahora conforme a las instrucciones incluidas.

Cableado del calentador en línea

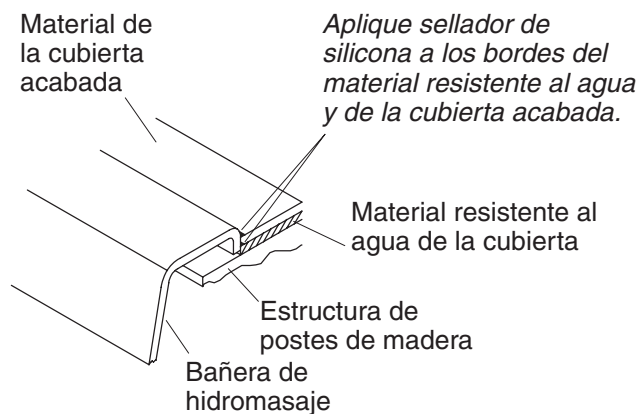
- **Modelos "H":** El calentador está equipado de un cable y un enchufe. Todo el cableado del calentador se ha realizado en fábrica. Un electricista calificado debe instalar un tomacorriente conectado a tierra, de 120 V, 15 A y protegido por un interruptor GFCI. Este circuito no debe tener ninguna otra carga. Coloque el tomacorriente detrás de la bañera de hidromasaje y a menos de 24" (61 cm) del calentador.
- Enchufe el calentador en este tomacorriente.

7. Pruebe el funcionamiento de la bañera de hidromasaje

- Revise todas las conexiones eléctricas y asegúrese de que la bañera de hidromasaje y el calentador (de estar equipado) tengan alimentación eléctrica.

Pruebe el funcionamiento de la bañera de hidromasaje (cont.)

- Asegúrese de que todas las conexiones de unión de la bomba y el calentador estén bien apretadas a mano.
- Verifique que las cintas metálicas de la bomba estén cortadas (de ser pertinente) y que la bomba descansa directamente en el subpiso o la base de la bañera de hidromasaje.
- Llene la bañera de hidromasaje al menos 2" (5,1 cm) por encima del jet más alto.
- Deje funcionar la bañera de hidromasaje durante 5 minutos y revise que no haya fugas en las conexiones de todas las tuberías.
- Para obtener información adicional acerca del funcionamiento de la bañera de hidromasaje, consulte la sección "Confirme el funcionamiento correcto".

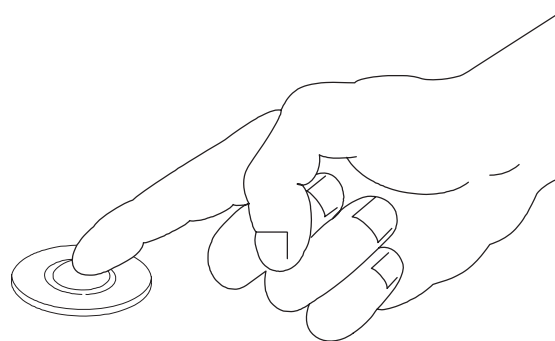
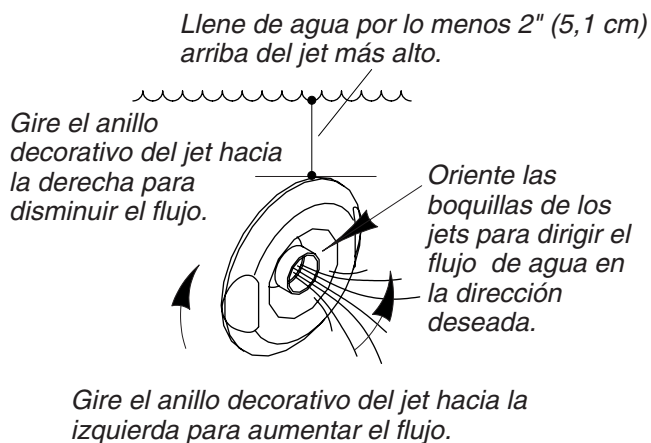


8. Termine la cubierta acabada

- Retire con cuidado la cinta protectora del borde de la bañera de hidromasaje, si aún no lo ha hecho.
- Cubra la estructura con material de cubierta resistente al agua. Selle las juntas entre el borde de la bañera de hidromasaje y el material de cubierta resistente al agua con sellador de silicona.
- Adhiera el material de cubierta resistente al agua con cinta y yeso. Instale la cubierta acabada con el material de cubierta resistente al agua. Selle las juntas entre el borde de la bañera de hidromasaje y el material de la cubierta acabada con sellador de silicona.
- Instale la guarnición de la grifería según las instrucciones del fabricante.

9. Limpieza después de la instalación

- Al limpiar después de la instalación, **no utilice productos de limpieza abrasivos**, pues pueden rayar y opacar la superficie de la bañera de hidromasaje. Utilice agua tibia y detergente líquido para limpiar la superficie.
- Limpie las manchas difíciles de quitar, la pintura y el alquitrán con aguarrás o diluyente de pintura. **No permita que los productos de limpieza que contengan destilados de petróleo permanezcan en contacto con la superficie de la bañera de hidromasaje por periodos prolongados.** El yeso se puede eliminar raspando con un canto de madera. No utilice raspadores de metal, cepillos de alambre ni otras herramientas metálicas. Se puede utilizar un detergente en polvo con un trapo húmedo para proporcionar una acción abrasiva suave en los residuos de yeso.



Presione el accionador de aire para encender o apagar la bañera de hidromasaje.

10. Confirme el funcionamiento correcto

Llene la bañera de hidromasaje

NOTA: Por favor, lea atentamente estos pasos antes de activar la bañera de hidromasaje.

- Coloque las boquillas de los jets de manera que miren hacia abajo en la bañera. Gire los anillos decorativos de los jets totalmente hacia la izquierda.
- **Llene la bañera de hidromasaje con agua al menos 2" (5,1 cm) por encima de la parte superior del jet más alto.**

NOTA: La temperatura del agua en la bañera de hidromasaje no debe exceder de 104°F (40°C).

- Para dar servicio a los diafragmas, introduzca un lápiz en la boquilla del jet y saque el diafragma. Después de eliminar la obstrucción que pueda haber, verifique que el diafragma esté limpio y presiónelo en el alojamiento del jet.

NOTA: Los diafragmas sólo se instalan en los jets de bañeras de hidromasaje que tienen seis o más jets en el sistema de hidromasaje.

Secuencia de funcionamiento

- Presione el accionador de aire para encender los jets de la bañera de hidromasaje.
- Ajuste cada jet para obtener una mezcla óptima de aire/agua. Gire el anillo decorativo hacia la derecha para reducir el flujo de aire, y hacia la izquierda para aumentarlo.
- Si está equipado con un calentador, el calentador se activará automáticamente al encenderse la bomba y se desactivará cuando se apague la bomba. El calentador no se activará si la temperatura del agua excede 104°F (40°C).
- Vuelva a oprimir el accionador de aire por segunda vez para apagar la bañera de hidromasaje.

11. Procedimientos para resolver problemas

Guía para resolver problemas

Esta guía para resolver problemas está diseñada únicamente como ayuda general. Un representante de servicio autorizado de Kohler o un electricista calificado debe resolver todos los problemas eléctricos. Para obtener servicio cubierto por la garantía, póngase en contacto con el vendedor o el distribuidor mayorista.

Síntomas	Causas probables	Acción recomendada
1. La bañera de hidromasaje no se enciende o apaga.	A. El motor no tiene alimentación eléctrica.	A. Presione el botón (reset) de restablecer la corriente eléctrica del GFCI o RCD; revise el cableado.

Procedimientos para resolver problemas (cont.)

Síntomas	Causas probables	Acción recomendada
	<p>B. El accionador de aire no funciona.</p> <p>C. El tubo del accionador de aire está desconectado, flojo, doblado, tapado o dañado.</p> <p>D. El motor/bomba no funciona.</p>	<p>B. Reemplace el accionador de aire.</p> <p>C. Conecte, enderece, limpie o reemplace el tubo del accionador de aire.</p> <p>D. Repare o reemplace el motor/bomba.</p>
<p>2. El motor se enciende, no todos los jets funcionan.</p>	<p>A. El jet está cerrado.</p> <p>B. Los jets están obstruidos.</p>	<p>A. Gire el anillo decorativo del jet hacia la izquierda para abrirlo.</p> <p>B. Elimine la obstrucción.</p>
<p>3. La bañera de hidromasaje se detiene automáticamente antes de 18 minutos.</p>	<p>A. El interruptor GFCI o RCD se dispara.</p> <p>B. La succión está obstruida.</p> <p>C. Los jets están obstruidos.</p> <p>D. El motor se ha sobrecalentado, activando el dispositivo de protección.</p>	<p>A. Identifique la causa de la falla y corrija.</p> <p>B. Elimine la obstrucción.</p> <p>C. Elimine la obstrucción.</p> <p>D. Verifique que no haya obstrucciones en las ventilaciones del motor. Elimine la obstrucción y deje enfriar el motor. Verifique que no haya obstrucciones en la succión. Elimine la obstrucción y deje enfriar el motor. Verifique que no haya obstrucciones en los jets. Elimine la obstrucción y deje enfriar el motor.</p>
<p>4. Funcionamiento ruidoso.</p>	<p>A. Las cintas metálicas de la bomba no se han cortado. (Modelos con bloques de soporte únicamente).</p>	<p>A. Corte las cintas metálicas con unas tijeras para chapa.</p>
<p>5. El calentador no funciona. (Modelos "H" solamente)</p>	<p>A. El calentador no tiene alimentación eléctrica.</p> <p>B. La temperatura del agua sobrepasa los 104°F (40°C).</p> <p>C. El calentador no funciona.</p>	<p>A. Oprima el botón de restablecer el interruptor GFCI o RCD.</p> <p>B. Deje que el agua se enfríe y el calentador se activará.</p> <p>C. Reemplace el calentador.</p>

USA: 1-800-4-KOHLER
Canada: 1-800-964-5590
México: 001-877-680-1310

kohler.com

THE BOLD LOOK
OF **KOHLER**®

©2008 Kohler Co.

1010997-2-E