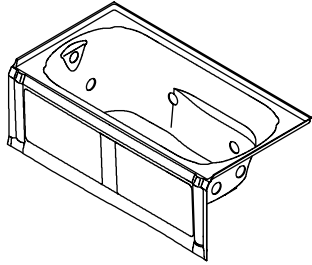


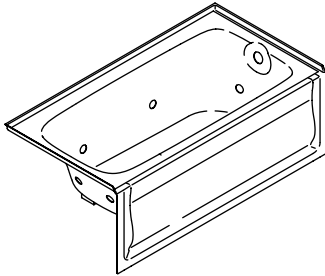
# Homeowners Guide

## Bath Whirlpool

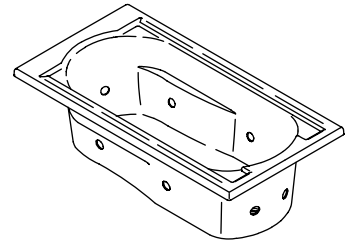
K-1109



K-1151



K-1357



**M** product numbers are for Mexico (i.e. K-12345**M**)  
Los números de productos seguidos de **M** corresponden a México  
(Ej. K-12345**M**)  
Français, page "Français-1"  
Español, página "Español-1"

THE BOLD LOOK  
OF **KOHLER**®

# Operating Instructions

## INSTRUCTIONS PERTAINING TO A RISK OF FIRE, ELECTRICAL SHOCK, OR INJURY TO PERSONS READ AND FOLLOW ALL INSTRUCTIONS SAVE THESE INSTRUCTIONS



**WARNING:** When using electrical products, basic precautions should always be followed, including the following:



**DANGER: Risk of personal injury.** To reduce the risk of injury, do not permit children to use this unit unless they are closely supervised at all times.



**WARNING: Risk of personal injury.** To avoid injury, exercise care when entering or exiting the whirlpool.



**WARNING: Risk of electric shock.** Do not permit electric appliances (such as a hair dryer, lamp, telephone, radio, or television) within 5' (1.5 m) of this whirlpool.



**WARNING: Risk of hyperthermia.** People using medications and/or having an adverse medical history should consult a physician before using a whirlpool equipped with a heater.

Use this whirlpool only for its intended purpose as described in this manual. Do not use attachments not recommended by the manufacturer.

Never drop or insert any object into any opening.

Do not operate this unit without the guard (cover) over the suction fitting.

The whirlpool must be connected only to a supply circuit that is protected by a Ground-Fault Circuit-Interrupter (GFCI) or Earth-Leakage Circuit-Breaker (ELCB). Such a GFCI or ELCB should be provided by the installer and should be tested on a routine basis. To test the GFCI or ELCB, press the test button. The GFCI or ELCB should interrupt power. Press the reset button. Power should be restored. If the GFCI or ELCB fails to operate in this manner, the GFCI or ELCB is defective. If the GFCI or ELCB interrupts power to the bath without the test button being pressed, a ground current is flowing, indicating the possibility of an electric shock. Do not use this whirlpool bath. Disconnect the whirlpool and have the problem corrected by a qualified service representative before using.

**NOTE:** If the pump supply cord is damaged, it must be replaced by the manufacturer, its service agent or similarly qualified persons in order to avoid a hazard. The heater supply cord cannot be replaced. If the cord is damaged the heater should be scrapped.



**WARNING: The use of alcohol, drugs, or medication can greatly increase the risk of fatal hyperthermia.** Prolonged immersion in hot water may induce hyperthermia. Hyperthermia occurs when the internal temperature of the body reaches a level several degrees above the normal body temperature of 98.6° F (37° C). The symptoms of hyperthermia include an increase in the internal temperature of the body, dizziness, lethargy, drowsiness, and fainting. The effects of hyperthermia include: (a) failure to perceive heat, (b) failure to recognize the need to exit the bath, (c) unawareness of impending hazard, (d) fetal damage in pregnant women, (e) physical inability to exit the bath, and (f) unconsciousness resulting in the danger of drowning.

**IMPORTANT!** Flush your whirlpool system twice a month or more depending upon usage, as described in Care and Cleaning Instructions in this manual.

Do not allow the water temperature in the whirlpool to exceed 104° F (40° C).

Keep small objects such as bath toys and bathing accessories out of the whirlpool while the unit is running.

Repeated use of personal care products containing oils can damage plastic whirlpool components. Do not use heavy, vegetable-based shampoos or bath oils.

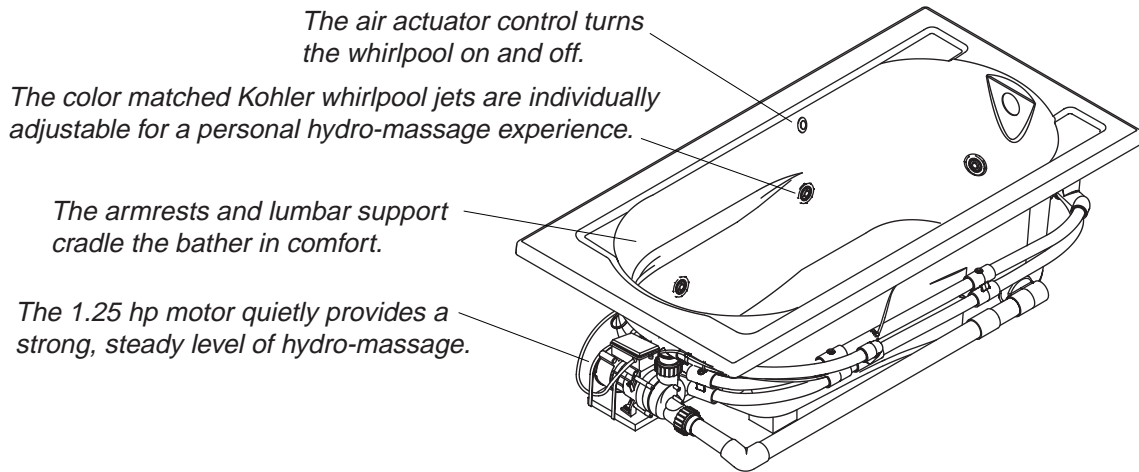
## Operating Instructions (cont.)

Whirlpool hydro-massage action can cause even a small amount of bubble bath, bath soap, shampoo, or bath oil to foam excessively. For this reason, please don't use these products during whirlpool operation.

Your new Kohler whirlpool has been listed by Underwriter's Laboratories, ensuring safety for you and your family. This whirlpool also conforms to rigid ANSI and IAPMO standards set within the plumbing industry.

## Table of Contents

Operating Instructions .....	2
Thank You For Choosing Kohler Company .....	4
Your Kohler Whirlpool .....	4
Operating Your Whirlpool .....	5
Care and Cleaning Instructions .....	5
Limited Five-Year Warranty - Acrylic Shell .....	6
Limited One-Year Warranty - For U.S.A. and Canada .....	6
One-Year Warranty - For Mexico .....	7
Troubleshooting Procedures .....	8
Service Parts .....	9



## Thank You For Choosing Kohler Company

Thank you for choosing The Bold Look of Kohler. Kohler craftsmanship offers you a rare combination of proven performance and graceful sophistication that will satisfy you for years to come. The dependability and beauty of your new whirlpool will surpass your highest expectations. We're proud of our whirlpools here at Kohler, and we know you will be too.

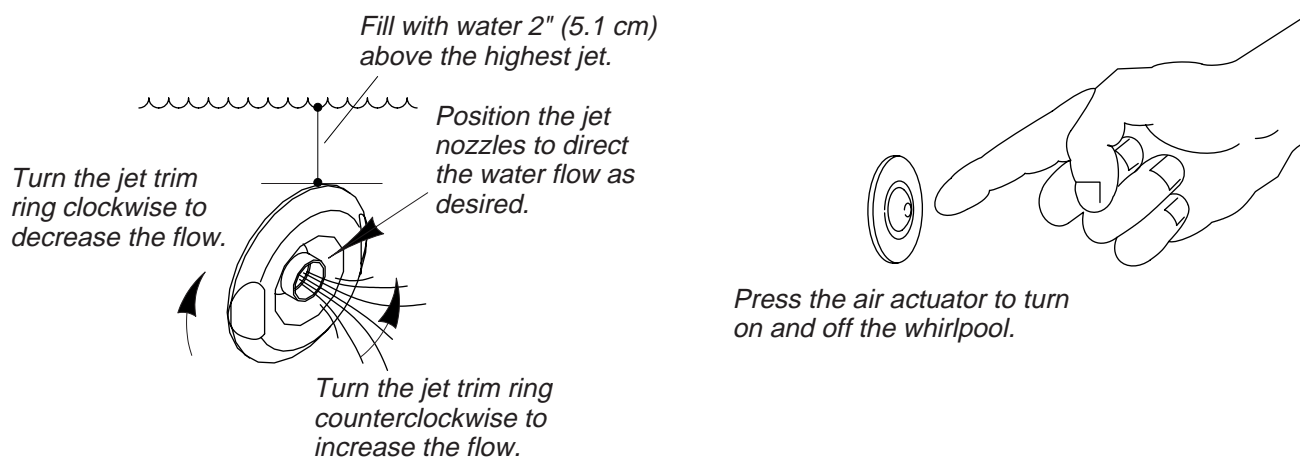
Please take a few minutes to study this Homeowners Guide before you use your whirlpool. Pay special attention to the Care and Cleaning instructions in this manual.

All information in this manual is based upon the latest product information available at the time of publication. At Kohler, we constantly strive to improve the quality of our products. We reserve the right to make changes in product characteristics, packaging, or availability at any time without notice.

## Your Kohler Whirlpool

Your new whirlpool is designed to stimulate, invigorate, and energize your body with comforting hydro-massage therapy. The whirlpool consists of the following components:

- **Bath** - acts as a reservoir for water, and provides a location for the hydro-massage action.
- **Air Actuator Control** - located within easy reach, the air actuator control turns the whirlpool on and off through the activation of a reliable sensing device.
- **Pump Motor** - provides quiet power to circulate the water and create the soothing hydro-massage action.
- **Adjustable Jets** - positioned to optimize their hydro-massage effect, the jets allow you to adjust the air and water flow and control the flow direction as you desire.



## Operating Your Whirlpool

- Position the jet nozzles so they face down toward the basin. Turn the jet trim rings fully counterclockwise.

**NOTE:** The water temperature in the whirlpool should never exceed 104° F (40° C).

- Close the drain, and fill the whirlpool to a level at least 2" (5 cm) above the top of the highest jet. Use your hand to test the water temperature for comfort and safety, then carefully enter the bath basin.
- Press the air actuator to turn on the whirlpool.
- Adjust the jets for optimum air/water mixture. Turn the jet trim rings clockwise to reduce the flow, and counterclockwise to increase the flow. Position the jet nozzles to direct the water flow as desired to maximize your hydro-massage experience.
- Press the air actuator a second time to turn off the whirlpool.
- Carefully exit the bath, and open the drain to empty the whirlpool.

**NOTE:** If the whirlpool does not function properly, please refer to the Troubleshooting section.

## Care and Cleaning Instructions

### Cleaning Your Acrylic Bath Whirlpool

- **Do not** use abrasive cleansers or solvents on acrylic surfaces.
- Wipe out your acrylic whirlpool with a soft cloth after each use.
- Avoid detergents, disinfectants, or cleaning products in aerosol cans.
- If the surface gets excessively dirty you can use a general purpose cleaner such as: Formula 409<sup>®</sup> All Purpose Cleaner, Gel Gloss<sup>®</sup> (Bath and Shower only), Scrub Free<sup>®</sup> Mildew Stain Remover, Mr. Clean<sup>®</sup> Lemon Fresh, Cinch<sup>®</sup>, Glass Plus<sup>®</sup>, or Fantastik<sup>®</sup> All Purpose.

**NOTE:** To restore dull or scratched units: Apply white automotive polishing compound with a clean rag. Rub scratches and dull areas vigorously. Wipe off residue. Follow with a coat of white automotive paste wax. Do not wax areas where you walk or stand.

### Flushing Your Whirlpool System

- Flush your whirlpool system twice a month or more, depending upon usage. Use the following sequence:
  - Turn the jet trim rings fully clockwise to reduce air induction.
  - Fill the whirlpool with hot water to a level at least 2" (5 cm) above the highest jet.

## Care and Cleaning Instructions (cont.)

- Add 2 tablespoons (30 ml) of a low-foaming dishwasher detergent and 20 ounces (590 ml) of household bleach (5% - 6% sodium hypochlorite) to the water.
- Run the whirlpool for 5 to 10 minutes. Turn off the whirlpool and drain.
- If desired, rinse the bath surfaces with water.
- Rinse the surfaces of the jets, faucet, handrails, drain, etc. and wipe them dry with a soft cloth.

## Limited Five-Year Warranty - Acrylic Shell

### For North America Only

Kohler Co. warrants that the acrylic shell of the Devonshire and Portrait whirlpools and/or baths will be free of defects in material and workmanship during normal residential use for five years from the date the product is installed. Gloss reduction, scratching, staining or alkaline etching of the acrylic over time due to use, cleaning practices or water or atmospheric conditions are not manufacturing defects but are indicative of normal wear and tear. This warranty applies only for Devonshire and Portrait whirlpools and baths installed in the United States of America, Canada and Mexico.

All other components of the whirlpool, including but not limited to pump/motor, jets, harness, and trim, other than the acrylic shell carry Kohler's One-Year Limited Warranty.

If the Devonshire or Portrait whirlpool or bath is used commercially or is installed outside of North America, Kohler Co. warrants the acrylic shell to be free from defects in material and workmanship for one (1) year from the date the product is installed, with all other terms of this warranty applying except duration.

If a defect is found in normal residential use, Kohler Co. will, at its election, repair or replace the acrylic shell or make appropriate adjustment. Damage caused by accident, misuse, or abuse is not covered by this warranty. Improper care and cleaning will void the warranty. Proof of purchase (original sales receipt) must be provided to Kohler with all warranty claims. Kohler Co. is not responsible for labor charges, installation, or other incidental or consequential costs other than those noted above. In no event shall the liability of Kohler exceed the purchase price of the whirlpool.

If you believe that you have a warranty claim, contact your Home Center, Dealer, Plumbing Contractor or E-tailer. Please be sure to provide all pertinent information regarding your claim, including a complete description of the problem, the product, model number, color, finish, the date the product was purchased, from whom the product was purchased and the installation date. Also include your original invoice. For other information, or to obtain the name and address of the service and repair facility nearest you write Kohler Co., Attn: PNA Customer Service, Kohler, Wisconsin 53044 U.S.A. or call 1-800-4-KOHLER from within the U.S.A., 1-800-964-5590 from within Canada, and 001-877-680-1310 from within Mexico.

**THE FOREGOING WARRANTIES ARE IN LIEU OF ALL OTHER WARRANTIES, EXPRESS OR IMPLIED, INCLUDING BUT NOT LIMITED TO THE IMPLIED WARRANTIES OF MERCHANTABILITY AND FITNESS FOR A PARTICULAR PURPOSE.**

**SELLER DISCLAIMS ANY LIABILITY FOR SPECIAL, INCIDENTAL OR CONSEQUENTIAL DAMAGES.** Some states/provinces do not allow limitations of how long an implied warranty lasts or the exclusion or limitation of such damages, so these limitations and exclusions may not apply to you. This warranty gives the consumer specific legal rights. You may also have other rights that vary from state/province to state/province.

This is Kohler Co.'s exclusive written warranty.

## Limited One-Year Warranty - For U.S.A. and Canada

### All Components Other Than Acrylic Shell

KOHLER® plumbing fixtures, faucets and fittings are warranted to be free of defects in material and workmanship for one year from date of installation.

Kohler Co. will, at its election, repair, replace or make appropriate adjustment where Kohler Co. inspection discloses any such defects occurring in normal usage within one year after installation. Kohler Co. is not responsible for removal or installation costs.

## Limited One-Year Warranty - For U.S.A. and Canada (cont.)

To obtain warranty service, contact Kohler Co. either through your Dealer, Plumbing Contractor, Home Center or E-tailer, or by writing Kohler Co., Attn.: Customer Service Department, 444 Highland Drive, Kohler, WI 53044, USA, or by calling 1-800-4-KOHLER from within the USA, 1-800-964-5590 from within Canada and 001-877-680-1310 from within Mexico.

**Implied warranties including that of merchantability and fitness for a particular purpose are expressly limited in duration to the duration of this warranty, Kohler Co. disclaims any liability for special, incidental or consequential damages.** Some states/provinces do not allow limitations on how long an implied warranty lasts, or the exclusion or limitation of special, incidental or consequential damages so these limitations and exclusions may not apply to you. This warranty gives you specific legal rights. You may also have other rights which vary from state/province to state/province.

**This is our exclusive written warranty.**

### Notes:

1. There may be variation in color fidelity between catalog images and actual plumbing fixtures.
2. Kohler Co. reserves the right to make changes in product characteristics, packaging or availability at any time with out notice.

COPYRIGHT © 1999, 2000, 2001, 2002 BY KOHLER CO.

## One-Year Warranty - For Mexico

### All Components Other Than Acrylic Shell

KOHLER CO.

It is recommended that at the time of purchase, you verify that all accessories and components are complete in this package.

This Kohler product is warranted to be free of defects in material and workmanship for one (1) year from the date of purchase as shown on the invoice or receipt.

1. Kohler Co. will only service its commercialized products through its authorized distributors.
2. To obtain warranty service, please present the invoice and corresponding warranty.
3. Through its authorized distributors, Kohler Co. promises to repair the defective product or provide a new replacement or an equivalent model (in those cases that the model has been discontinued) when the product is beyond repair, without any charge to the consumer.
4. The time of repair will not exceed six (6) weeks commencing on the date the product is received.
5. It is recommended that the consumer save the invoice or receipt as additional protection, as it may substitute the warranty in the case that there is a discrepancy in the validity of the warranty.

### EXCEPTIONS AND RESTRICTIONS

The Warranty will not be valid in the following cases:

1. When the product is not operated in accordance with the instructions concerning use and operation set forth in the owner's manual or installation instructions, and when the recommendations and warnings included are not observed.
2. When the product has been modified or dismantled partially or totally; or has been used in a negligent fashion and as a consequence has suffered damages attributable to the consumer, individual, or hardware not authorized by Kohler Co.
3. This warranty does not cover the damages as a result of disaster such as fire or acts of God, including flooding, earthquake, or electric storms, etc. To obtain a list of distributors in your area where you can exercise your rights under this warranty, please call 001-877-680-1310.

KOHLER CO., KOHLER, WI 53044 U.S.A.

## One-Year Warranty - For Mexico (cont.)

### IMPORTER:

INTERNACIONAL DE CERMICA, S.A. DE C.V.

AV. CARLOS PACHECO NO. 7200

CHIHUAHUA, CHIH., MEXICO C.P. 31060

TEL: 52 (14) 29-11-11

## Troubleshooting Procedures

This troubleshooting guide is for general aid only. A Kohler Authorized Service Representative or qualified electrician should correct any electrical problems. For warranty service, contact your dealer or wholesale distributor.

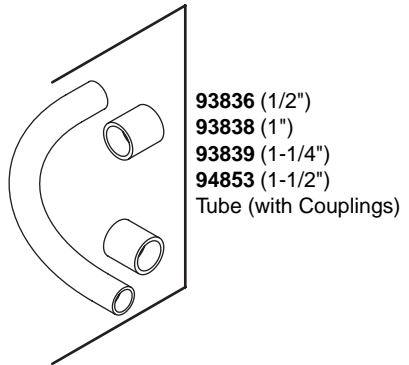
Symptoms	Probable Causes	Recommended Action
1. Whirlpool does not start/stop.	<p>A. No power to pump motor.</p> <p>B. Air actuator does not work.</p> <p>C. Pump motor does not work.</p>	<p>A. Set/Reset GFCI or ELCB breaker; check wiring. If the problem persists, refer to installer/dealer.</p> <p>B. Check air tube connections. Replace air actuator. Refer to installer/dealer.</p> <p>C. Replace pump motor. Refer to installer/dealer.</p>
2. Motor starts, but all jets are not functioning.	<p>A. Jet is closed.</p> <p>B. Jet not installed correctly.</p> <p>C. Jets are blocked.</p>	<p>A. Rotate jet trim counterclockwise to open.</p> <p>B. Reinstall jet; check for O-ring damage.</p> <p>C. Remove blockage.</p>
3. Whirlpool stops by itself.	<p>A. GFCI or ELCB trips.</p> <p>B. Suction is blocked.</p> <p>C. Jets are blocked.</p> <p>D. Motor overheated and protectoin device activated.</p>	<p>A. Identify source of fault and correct. If problem persists, refer to installer/dealer.</p> <p>B. Remove obstruction.</p> <p>C. Remove blockage.</p> <p>D. Check for blockage at motor vents. Remove blockage and allow motor to cool. Check for suction blockage. Remove blockage and allow motor to cool. Check for jet blockage. Remove blockage and allow motor to cool.</p>
4. Noisy operation.	<p>A. Pump banding straps have not been cut. (models with wooden support blocks only)</p> <p>B. Dry or dislodged jet O-ring (squeal).</p>	<p>A. Cut pump banding straps with tin snips.</p> <p>B. Remove jet, replace and lubricate O-ring, and reinstall jet.</p>
5. Heater does not operate.	<p>A. No power to heater.</p> <p>B. Water temperature exceeds 104° F (40° C).</p> <p>C. Heater does not work.</p>	<p>A. Set/Reset GFCI or ELCB breaker.</p> <p>B. Allow water to cool; heater will re-engage.</p> <p>C. Replace heater. Refer to installer/dealer.</p>



1041995\*\*  
Air Switch

To Pump

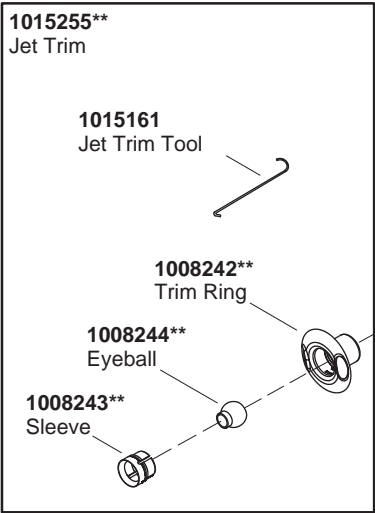
1042083  
Tubing Nut



91967  
Check Valve

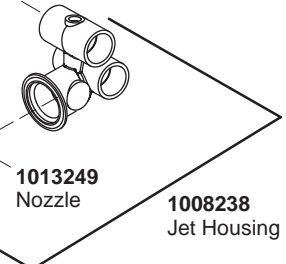
1011001  
Flange Removal Tool

67665  
Plug



1008241  
Gasket

1013250  
Nut



1008239  
Flange

73518  
Plug

93685  
Housing

96895\*\*  
Suction Cover

96708  
Flange

65886  
Gasket

65226\*\*  
Suction Cover Plug

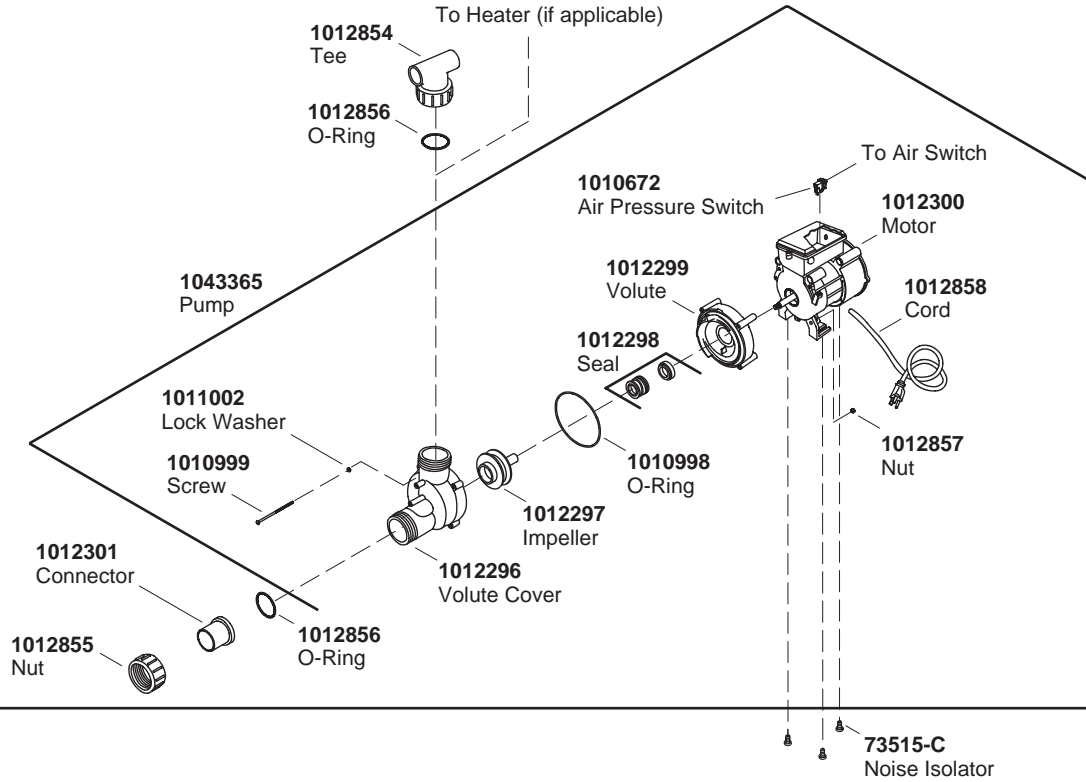
65054\*\*  
Screw

1003065  
Suction Flange  
Removal Tool

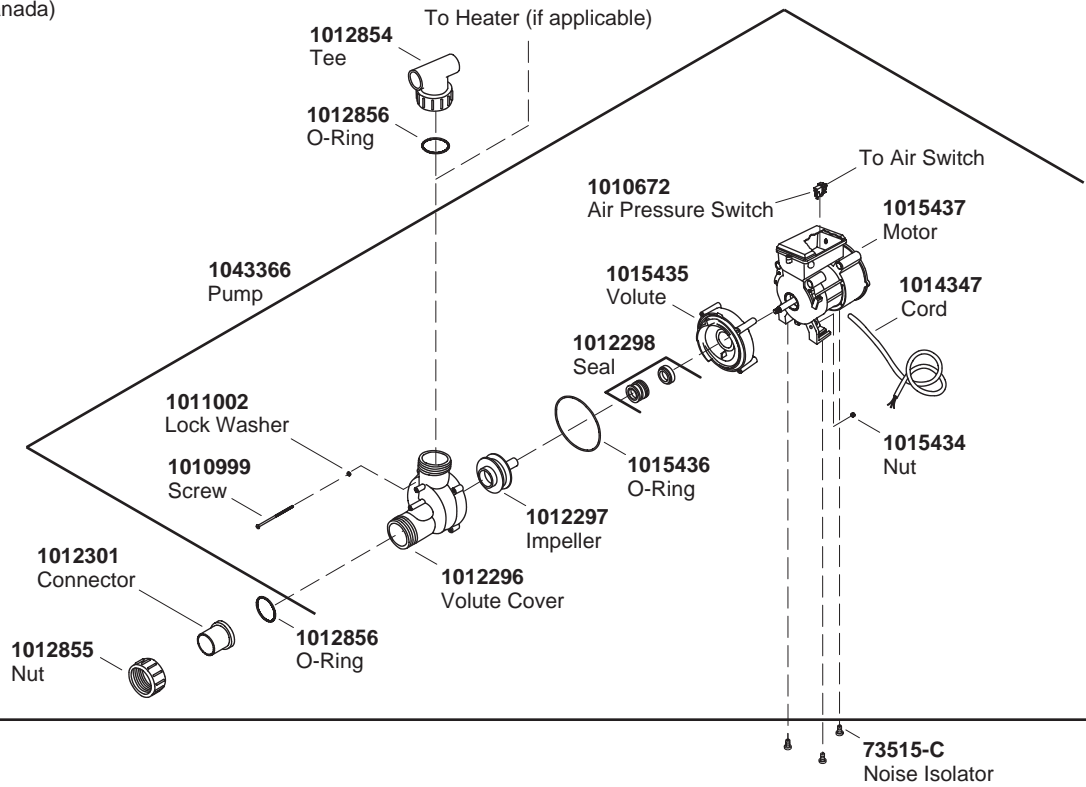
**\*\*Finish/color code must be specified when ordering.**

**Service Parts**

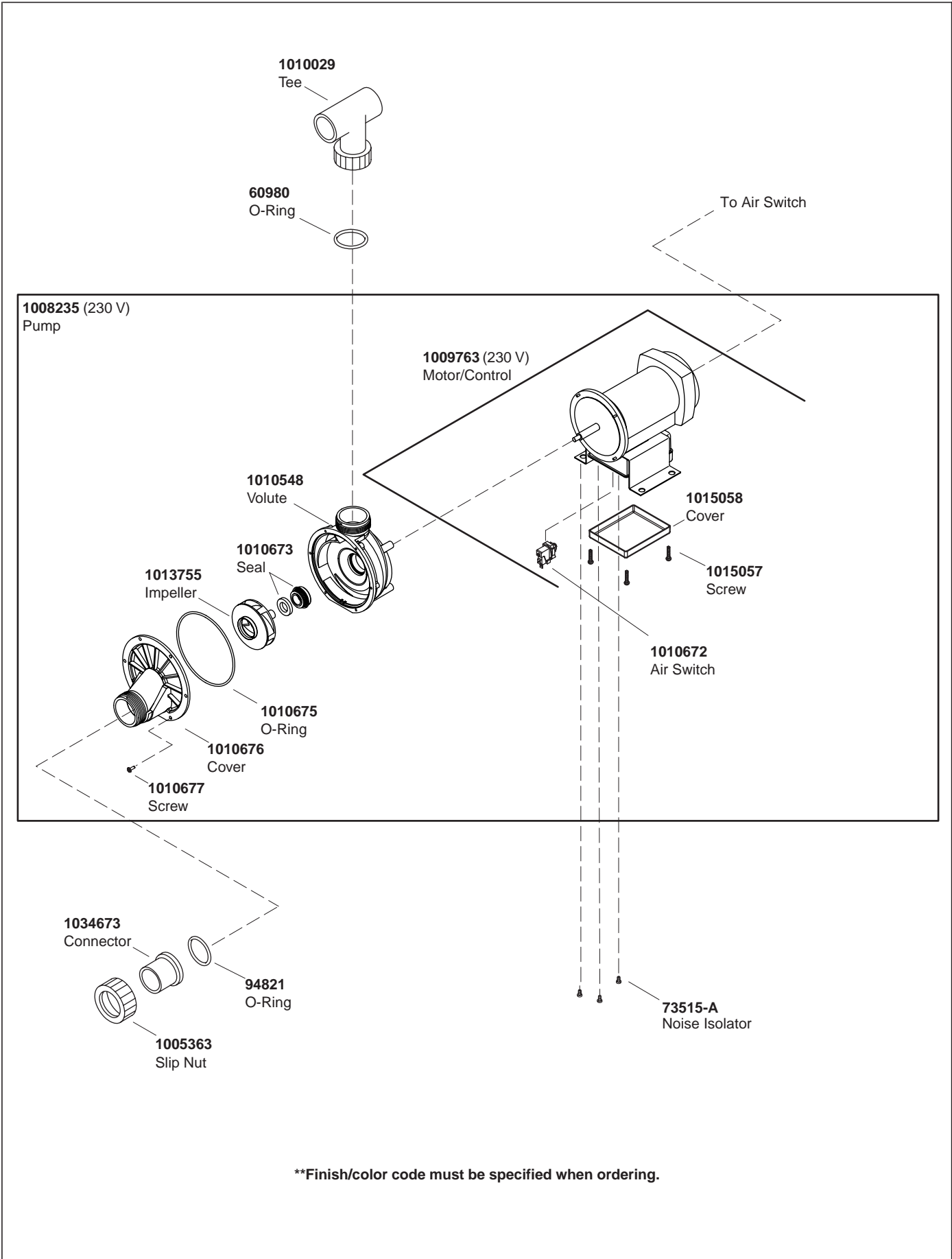
**1012859** (120 V, USA/Mexico)  
Pump



**1008232** (120 V, Canada)  
Pump



**\*\*Finish/color code must be specified when ordering.**

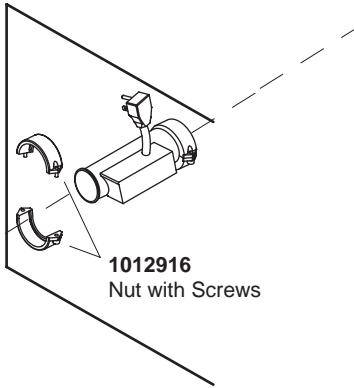


**1009718** (120 V, USA/Mexico)  
In-line Heater

**94821**  
O-Ring



**1012653**  
Adapter



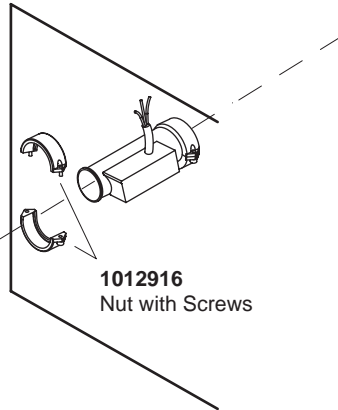
**1012916**  
Nut with Screws

**1009719** (120 V, Canada)  
In-line Heater

**94821**  
O-Ring



**1012653**  
Adapter



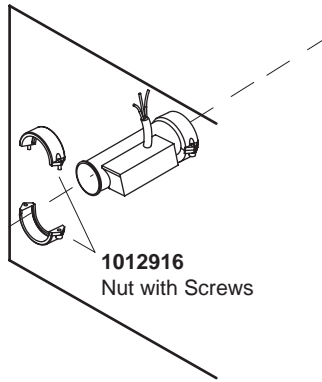
**1012916**  
Nut with Screws

**1009720** (230 V)  
In-line Heater

**94821**  
O-Ring



**1012653**  
Adapter



**1012916**  
Nut with Screws



**1012653**  
Adapter

**94821**  
O-Ring


**\*\*Finish/color code must be specified when ordering.**

# Guide du propriétaire

## Baignoire à hydromassage


### Instructions d'opération


#### **CONSIGNES RELATIVES AUX RISQUES D'INCENDIE, D'ÉLECTROCUTION OU DE BLESSURES CORPORELLES LIRE ET SUIVRE TOUTES LES INSTRUCTIONS CONSERVER CES INSTRUCTIONS**

 **AVERTISSEMENT :** Lors de l'utilisation des produits électriques, des précautions de base devraient toujours être observées, incluant ce qui suit:

 **DANGER :** **Risque de blessure corporelle.** Afin de réduire les risques de blessures, ne jamais permettre à un enfant d'utiliser cet appareil sans surveillance.

 **AVERTISSEMENT :** **Risque de blessure corporelle.** Pour éviter les blessures corporelles, entrer et sortir avec précaution de la baignoire à hydromassage.

 **AVERTISSEMENT :** **Risque d'électrocution.** Ne pas raccorder d'appareils électriques (tels que sèche-cheveux, lampe, téléphone, radio ou télévisions) dans les 5' (1,5 m) de cette baignoire à hydromassage.

 **AVERTISSEMENT :** **Risque d'hyperthermie.** Les personnes sous médicaments ou qui sont en observation médicale doivent consulter leur médecin avant d'utiliser des baignoires à hydromassage équipées de chauffeau.


Utiliser cette baignoire à hydromassage uniquement pour un usage tel que décrit dans ce manuel. Ne pas utiliser des fixations non recommandées par le fabricant.

Ne jamais faire tomber ou insérer d'objet quelconque dans les ouvertures.

Ne pas utiliser cet appareil sans ses protecteurs (couvercles) sur ses raccords d'aspiration.

La baignoire à hydromassage doit être uniquement raccordée à un Disjoncteur Différentiel (GFCI) ou un Disjoncteur de Mise à la Terre (ELCB). De tels disjoncteurs GFCI ou ELCB devraient être fournis par l'installateur et vérifiés régulièrement. Appuyer sur le bouton de test pour tester les disjoncteurs GFCI ou ELCB. Les disjoncteurs GFCI ou ELCB de mise à la terre devraient couper l'alimentation. Appuyer sur le bouton de ré-initialisation. L'alimentation devrait être restituée. Si les disjoncteurs GFCI ou ELCB ne fonctionnent pas de cette façon, l'un ou l'autre est défectueux. Si les disjoncteurs GFCI ou ELCB stoppent l'alimentation électrique à la baignoire sans que le bouton test ne soit utilisé, il y a donc un court circuit indiquant la possibilité de choc électrique. Ne pas utiliser pas cette baignoire à hydromassage. Débrancher la baignoire à hydromassage et la faire réviser par un technicien qualifié avant son utilisation.

**REMARQUE :** Si le câble d'alimentation de la pompe est endommagé, il doit être remplacé par le fabricant, son représentant ou autre personnel similaire qualifié pour éviter tout danger. Le cordon d'alimentation du chauffeau ne peut pas être remplacé. Si le cordon est endommagé, le chauffeau devrait être retiré.

 **AVERTISSEMENT :** **La consommation d'alcool, de drogues ou de médicaments peuvent augmenter considérablement le risque fatal d'hyperthermie.** Une immersion prolongée dans l'eau chaude peut provoquer l'hyperthermie. L'hyperthermie a lieu lorsque la température corporelle interne atteint plusieurs degrés au dessus de la température normale de 98.6° F (37°C). Les symptômes d'hyperthermie comprennent la hausse de la température corporelle, l'étourdissement, la léthargie, la

## Instructions d'opération (cont.)

somnolence et l'évanouissement. Les effets de l'hyperthermie comprennent: (a) défaut de percevoir la chaleur, (b) défaut de s'apercevoir du besoin de sortir de la baignoire, (c) incapacité de reconnaître le danger, (d) dommages au fœtus dans le cas des femmes enceintes, (e) incapacité physique de sortir de la baignoire et (f) inconscience et danger conséquent de noyade.

**IMPORTANT !** Rincer le système d'hydromassage deux fois par mois ou plus souvent, selon l'usage, tel que décrit dans la rubrique Entretien et nettoyage dans ce manuel.

Ne pas laisser la température de la baignoire à hydromassage excéder 104° F (40°C).

Ne pas laisser de petits objets tels que des jouets ou accessoires pour le bain dans la baignoire à hydromassage lorsqu'elle est en marche.

L'utilisation répétée de produits d'hygiène et de beauté contenant des huiles peut endommager les revêtements en plastique des composants de la baignoire à hydromassage. Ne pas utiliser de shampoings ou d'huiles de bains à bases végétales.

L'action de la baignoire à hydromassage peut considérablement faire mousser une quantité de produit moussant, même très petite, de savon, de shampoing ou d'huile pour le bain. Pour cette raison, nous vous conseillons de ne pas utiliser ces produits dans votre baignoire à hydromassage.

Votre nouvelle baignoire à hydromassage Kohler a été homologuée par l'Underwriter's Laboratories, assurant ainsi votre sécurité et celle de votre famille. Cette baignoire à hydromassage est aussi conforme aux normes ANSI et IAPMO établies pour l'industrie de la plomberie.

## Sommaire

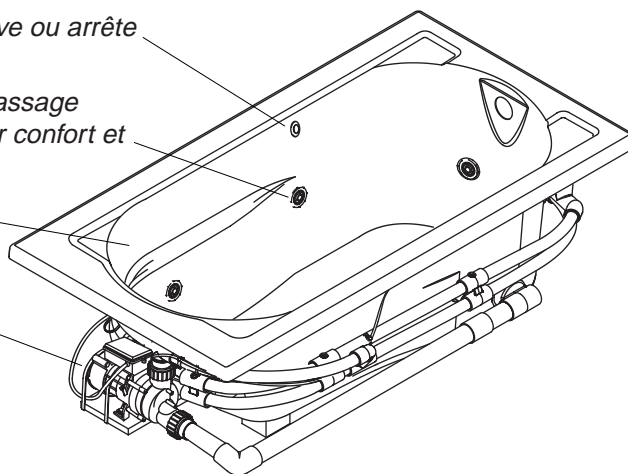
Instructions d'opération	1
Merci d'avoir choisi la compagnie Kohler	3
Votre baignoire à hydromassage Kohler	3
Opérer votre baignoire à hydromassage	4
Instructions d'entretien et de nettoyage	4
Garantie limitée de 5 ans - bassin en acrylique	5
Garantie limitée d'un an - Pour les É.-U. et Canada	6
Procédures de dépannage	6
Pièces de rechange	8

*Le contrôle interrupteur d'air active ou arrête la baignoire à hydromassage.*

*Les jets de couleurs assorties de la baignoire à hydromassage Kohler sont ajustables individuellement, pour un meilleur confort et une expérience individuelle d'hydromassage.*

*Les repose-bras et le support lombaire soutiennent l'utilisateur en tout confort.*

*Le moteur de 1,25 CV apporte une puissance silencieuse et régulière pour l'action d'hydromassage.*



## **Merci d'avoir choisi la compagnie Kohler**

Merci d'avoir choisi la ligne The Bold Look de Kohler. Le travail soigné des artisans de Kohler vous fera apprécier une rare combinaison de performances prouvées et une sophistication gracieuse, qui vous satisferont pour les années à venir. La fiabilité et la beauté de votre nouvelle baignoire à hydromassage surpasseront vos plus grandes espérances. Chez Kohler, nous sommes fiers de la qualité de nos baignoires à hydromassage, et nous savons que vous le serez aussi.

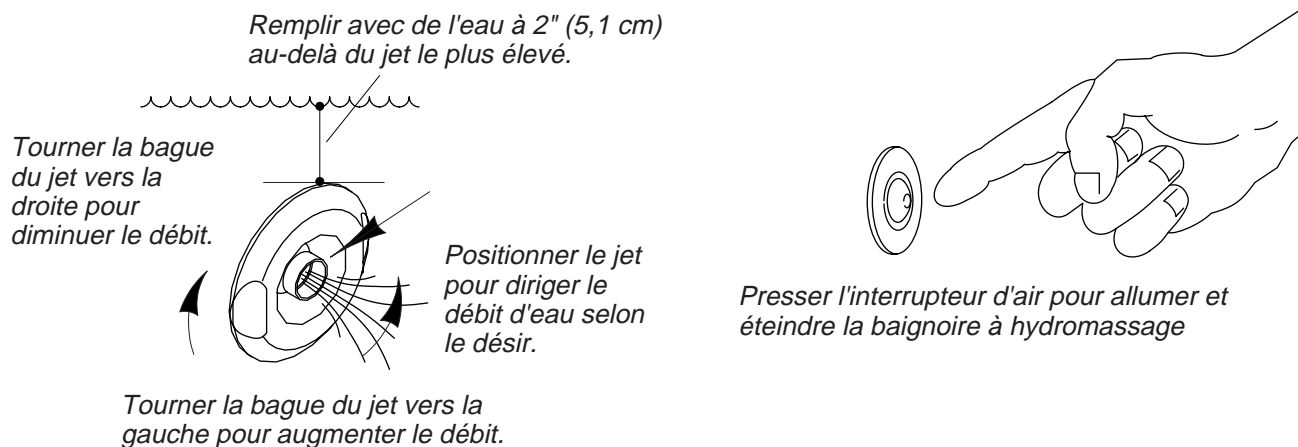
Veillez prendre s'il vous plaît, quelques minutes et consulter votre guide du propriétaire avant d'utiliser votre baignoire à hydromassage. Porter une attention toute particulière aux instructions d'entretien et de nettoyage dans ce manuel.

Tous les renseignements contenus dans ce manuel ont été revus et corrigés avant sa publication. Chez Kohler, nous veillons constamment à améliorer la qualité de nos produits. Nous nous réservons le droit d'apporter toutes modifications aux caractéristiques, conditionnements et disponibilités des produits, et ceci à tout moment et sans préavis.

## **Votre baignoire à hydromassage Kohler**

Votre nouvelle baignoire à hydromassage est conçue pour relaxer, stimuler, revigorer et tonifier votre corps. La baignoire à hydromassage consiste en les éléments suivants:

- **Baignoire** - agit comme un réservoir d'eau, et fournit un espace pour l'action d'hydromassage.
- **Contrôle interrupteur d'air** - situé à portée de main, le contrôle interrupteur d'air active ou arrête la baignoire à hydromassage par l'intermédiaire d'un capteur sensible.
- **Moteur de pompe** - fournit une alimentation silencieuse et à vitesse variable pour faire circuler l'eau et créer l'action d'hydromassage.
- **Jets réglables** positionnés de manière stratégique pour optimiser l'effet d'hydromassage, ils permettent d'ajuster le débit d'air et d'eau, ainsi que de contrôler la direction du jet selon le désir.



## Opérer votre baignoire à hydromassage

- Orienter les jets vers le fond du bassin. Tourner les bagues de garniture du jet complètement vers la gauche.

**REMARQUE :** La température de la baignoire à hydromassage ne doit pas excéder 104°F (40° C).

- Fermer le drain, et remplir la baignoire à hydromassage à un niveau d'au moins 2" (5 cm) au-dessus du jet le plus élevé. Utiliser la main pour tester la température de l'eau pour le confort, puis entrer doucement dans la baignoire.
- Appuyer sur l'interrupteur d'air pour activer la baignoire à hydromassage.
- Ajuster les jets pour un mélange optimal de l'eau et de l'air. Tourner les bagues du jet vers la droite pour réduire le débit d'air, ou vers la gauche pour l'augmenter. Orienter les jets pour diriger le débit d'eau vers la direction désirée pour optimiser l'action d'hydromassage.
- Appuyer sur l'interrupteur d'air une seconde fois pour arrêter la baignoire à hydromassage.
- Sortir doucement de la baignoire à hydromassage, et ouvrir le drain pour la vider.

**REMARQUE :** Si la baignoire à hydromassage ne fonctionne pas correctement, se reporter à la section dépannage.

## Instructions d'entretien et de nettoyage

### Nettoyage de la baignoire à hydromassage en acrylique

- Ne pas utiliser de nettoyeurs abrasifs ou de solvants sur les surfaces acryliques.
- Essuyer votre baignoire à hydromassage en acrylique avec un tissu doux après chaque usage.
- Eviter les détergents, les désinfectants ou les produits de nettoyage en aérosols.
- Si la surface devient excessivement sale, vous pouvez utiliser un nettoyant d'usage général tel que: Formule 409r<sup>®</sup> Nettoyant tout usage<sup>®</sup> (Baignoire et Douche uniquement), Gel Brilliance<sup>®</sup>, Sans frotter<sup>®</sup> Nettoyant pour moisissure, Mr. Propre<sup>®</sup>, Cirton Frais, Cinch<sup>®</sup>, Verre Plus<sup>®</sup>, ou Fantastik<sup>®</sup> Tout Usage.

**REMARQUE :** Pour réparer les unités abîmées ou détériorées: Appliquer un produit à polir blanc pour automobile avec un chiffon propre. Polir vigoureusement les rayures et les détériorations. Essuyer les résidus. Passer ensuite une couche de produit à polir blanc pour voiture. Ne pas polir les surfaces sur lesquelles vous vous tenez debout ou vous marchez.

### Purger le système de baignoire d'hydromassage

- Purger le système d'hydromassage deux fois par mois ou plus, selon la fréquence d'utilisation. Suivre la séquence suivante:



## Instructions d'entretien et de nettoyage (cont.)

- Tourner les bagues du jet complètement vers la droite pour réduire l'induction d'air.
- Remplir la baignoire à hydromassage d'eau chaude au moins 2" (5 cm) au-dessus du jet le plus élevé.
- Ajouter à l'eau 2 cuillères à soupe (30 ml) d'un détergent pour lave vaisselle peu moussant et 20 onces (590 ml) d'eau de javel (5%-6% d'hypochlorite de sodium).
- Faire fonctionner la baignoire à hydromassage pendant 5 à 10 minutes. Arrêter la baignoire à hydromassage et purger.
- Si désiré, rincer les surface de la baignoire avec de l'eau.
- Rincer les surfaces des jets, le robinet, les barres d'appuis, le drain, etc. et sécher avec un chiffon doux.

## Garantie limitée de 5 ans - bassin en acrylique

### Pour l'Amérique du nord uniquement

Kohler Co. garantit que le bassin en acrylique des baignoires et/ou baignoires à hydromassage Devonshire sera exempt de tout défaut de matériau et de fabrication pendant cinq ans, durant un usage normal domestique à partir de la date d'installation du produit. Les ternissements, rayures, taches ou les érosions alcalines sur l'acrylique dûes à une usure temporelle, ne sont pas considérés comme des défauts de fabrication, ainsi que les pratiques de nettoyage ou les conditions atmosphériques ou d'eau; mais plutôt comme des signes d'une usure normale. Cette garantie s'applique uniquement aux baignoires et baignoires à hydromassage Devonshire et Portrait installées aux É.U., au Canada et au Mexique.

Tout autre composant de la baignoire à hydromassage, y compris mais sans s'y limiter, au moteur/pompe, jets, harnais, garnitures autres qu'en acrylique, ont une garantie Kohler limitée d'un an.

Si la baignoire ou la baignoire à hydromassage Devonshire ou Portrait est utilisée dans un commerce ou bien elle est installée hors des États Unis, Kohler Co. garantit le revêtement en acrylique contre tout défaut de matériau et de fabrication pour un (1) an et à partir de la date d'installation, en plus de respecter tous les autres termes de cette garantie, sauf la durée.

Si un défaut est décelé en cours d'un usage normal domestique, Kohler Co. décidera, à son choix, de réparer, remplacer ou de effectuer les réglages appropriés. Cette garantie n'offre pas de protection contre les dommages causés par un accident, mauvais usage ou mauvais traitement. Un entretien et un nettoyage inappropriés annuleront cette garantie. Une preuve d'achat (ticket de caisse original) doit être présentée à Kohler avec tous les recours en garantie. Kohler Co. n'est pas responsable des coûts de main-d'oeuvre, d'installation ou d'autres frais indirects. La responsabilité de Kohler n'excédera en aucun cas le prix d'achat de la baignoire à hydromassage.

Pour vous prévaloir d'une indemnisation en vertu de cette garantie, contacter votre concessionnaire ou entrepreneur plombier, centre de rénovation ou cyber revendeur. Veuillez fournir tous les renseignements pertinents à votre demande, y compris une description complète du problème, produit, modèle, couleur, finition, date et lieu de l'achat, ainsi que la date d'installation. Joindre également l'original de la facture. Pour plus de renseignements ou pour demander les coordonnées du centre de réparation le plus proche, écrire, à: Kohler Co. à l'attention de: Département du Service Clientèles, PNA, KOHLER, Wisconsin 53044, É.U., ou composer le 1-800-4KOHLER à partir des États Unis, le 1-800-964-5590 à partir du Canada, ou le 001-877-680-1310 à partir du Mexique.

**LES GARANTIES DONNÉES CI-DESSUS REMPLACENT TOUTES AUTRES GARANTIES, EXPRESSES OU TACITES, Y COMPRIT, MAIS SANS S'Y LIMITER, CELLES DE QUALITÉ MARCHANDE ET D'APTITUDE À UN EMPLOI PARTICULIER.**

**LE VENDEUR DÉCLINE TOUTE RESPONSABILITÉ CONTRE LES DOMMAGES PARTICULIERS, ACCESSOIRES OU INDIRECTS.** Certains états/provinces ne permettent pas la limitation de durée ou l'exclusion ou limitation de ces dommages qui pourraient ne pas s'appliquer dans votre cas. La présente garantie accorde au consommateur des droits juridiques spécifiques. Vous pouvez également avoir d'autres droits qui varient d'un état/province à l'autre.

**Ceci constitue la garantie écrite exclusive de Kohler Co.**

## Garantie limitée d'un an - Pour les É.-U. et Canada

### Tous les autres composants autres qu'acrylique

Les robinets, appareils sanitaires et accessoires Kohler® sont garantis contre tout défaut matériel et de fabrication pour un an à partir de la date d'installation.

Kohler Co. jugera à sa discrétion, de la réparation, du remplacement ou du réglage approprié et ceci après toute inspection faite par Kohler Co. de tous défauts uniquement dûs à une utilisation normale et ceci pendant un an à partir de la date d'installation. Kohler Co. n'est pas responsable des coûts de démontage ou d'installation.

Pour obtenir un service-garantie, contacter Kohler Co. par l'intermédiaire de votre vendeur, plombier, centre de rénovation, revendeur par internet ou par écrit à l'attention de: Département du service clientèle, 444 Highland Drive, Kohler, Wisconsin 53044, USA, ou en composant le 1-800-4-KOHLER à partir des É.U., le 1-800-964-5590 à partir du Canada et le 001-877-680-1310 depuis le Mexique.

**La durée des garanties tacites, y compris celles marchandes et d'aptitude à un emploi particulier, se limite expressément à la durée de la présente garantie. Kohler Co. décline toute responsabilité de tout dommage particulier, accidentel ou tout préjudice indirect.** Certains états/provinces ne permettent pas la limitation sur la durée de la garantie, ou l'exclusion ou la limitation spéciale, de dommages occasionnés, ou corrélatifs à un accident, ainsi ces limitations ou exclusions pourraient ne pas s'appliquer dans votre cas. La présente garantie vous donne des droits légaux spécifiques. Vous pouvez également avoir d'autres droits qui varient d'un état/province à l'autre.

**Ceci constitue notre garantie écrite exclusive.**

#### Remarques:

1. Il pourrait y avoir une variation de couleur entre des produits illustrés dans les catalogues et les appareils de plomberie actuels.
2. Kohler Co. se réserve le droit d'apporter toutes modifications aux caractéristiques, emballages et disponibilités des produits, à tout moment, et ceci sans préavis.

COPYRIGHT © 1999, 2000, 2001, 2002 PAR KOHLER CO.

## Procédures de dépannage

Ce guide de dépannage est seulement destiné à une aide générale. Seul un agent agréé de Kohler ou un électricien qualifié devrait corriger tous les problèmes électriques. Pour une réparation sous garantie, contacter le vendeur ou distributeur.

Symptômes	Causes probables	Action recommandée
1. La baignoire à hydromassage ne démarre/s'arrête pas.	A. Pas d'alimentation au moteur de la pompe.  B. L'interrupteur d'air ne fonctionne pas.  C. Le moteur de la pompe ne fonctionne pas.	A. Régler/réinitialiser le disjoncteur différentiel GFCI or ELCB, contrôler le câblage. Si le problème persiste, contacter l'installateur/le concessionnaire.  B. Vérifier les connexions du tube d'air. Remplacer l'interrupteur d'air. Contacter l'installateur/vendeur.  C. Remplacer le moteur de pompe. Contacter l'installateur/vendeur.
2. Le moteur démarre, mais tous les jets ne fonctionnent pas.	A. Le jet est fermé.  B. Le jet n'est pas installé correctement.  C. Les jets sont bloqués.	A. Tourner la bague du jet vers la gauche pour ouvrir.  B. Réinstaller le jet;s'assurer que le joint torique ne soit pas endommagé.  C. Débloquer.

## Procédures de dépannage (cont.)

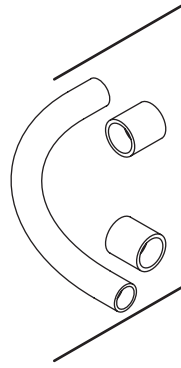
Symptômes	Causes probables	Action recommandée
3. La baignoire à hydromassage s'arrête d'elle-même.	<p>A. Le disjoncteur différentiel GFCI ou ELCB se déclenche.</p> <p>B. L'aspiration est bloquée.</p> <p>C. Les jets sont bloqués.</p> <p>D. Moteur surchauffé et disjoncteur de protection activé.</p>	<p>A. Identifier la source du problème puis remédier. Si le problème persiste, contacter l'installateur/vendeur.</p> <p>B. Retirer l'obstruction.</p> <p>C. Débloquer.</p> <p>D. Vérifier s'il y a blocage aux prises d'air du moteur. Retirer l'obstruction et laisser refroidir le moteur. Vérifier si la conduite d'aspiration n'est pas bouchée. Retirer l'obstruction et laisser refroidir le moteur. Vérifier si les jets sont bouchés. Retirer l'obstruction et laisser refroidir le moteur.</p>
4. Fonctionnement bruyant.	<p>A. Les sangles de retenue de la pompe n'ont pas été coupées. (Modèles avec des blocs de support en bois uniquement).</p> <p>B. Le joint torique c'est délogé ou il est sec (crissement).</p>	<p>A. Couper les sangles de retenue avec une cisaille de ferblantier.</p> <p>B. Retirer le jet, remplacer et lubrifier le joint torique, et réinstaller le jet.</p>
5. Le chauffeau ne fonctionne pas.	<p>A. Pas de courant au chauffeau.</p> <p>B. La température de l'eau excède 104° F (40° C).</p> <p>C. Le chauffeau ne fonctionne pas.</p>	<p>A. Régler/réinitialiser le disjoncteur différentiel GFCI ou ELCB.</p> <p>B. Laisser l'eau refroidir, le chauffeau redémarrera.</p> <p>C. Remplacer le chauffeau. Contacter l'installateur/vendeur.</p>

**1041995\*\***  
Interrupteur d'air



Vers la pompe

**1042083**  
Écrou de tuyauterie



**93836** (1/2")  
**93838** (1")  
**93839** (1-1/4")  
**94853** (1-1/2")  
Tube (avec raccords)

**91967**  
Valve clapet  
de non-retour



**1011001**  
Outil d'extraction  
de la bride



**67665**  
Bouchon



**1015255\*\***  
Garniture du jet

**1015161**  
Outil pour garniture du jet



**1008242\*\***  
Bague de garniture

**1008244\*\***  
Globe

**1008243\*\***  
Manchon



**1008241**  
Joint d'étanchéité



**1013250**  
Écrou



**1013249**  
Gicleur



**1008238**  
Logement du jet

**1008239**  
Bride



**73518**  
Bouchon



**93685**  
Logement



**96895\*\***  
Couvercle  
de l'aspiration



**96708**  
Bride



**65886**  
Joint d'étanchéité



**65226\*\***  
Capuchon de la vis  
du couvercle d'aspiration



**65054\*\***  
Vis



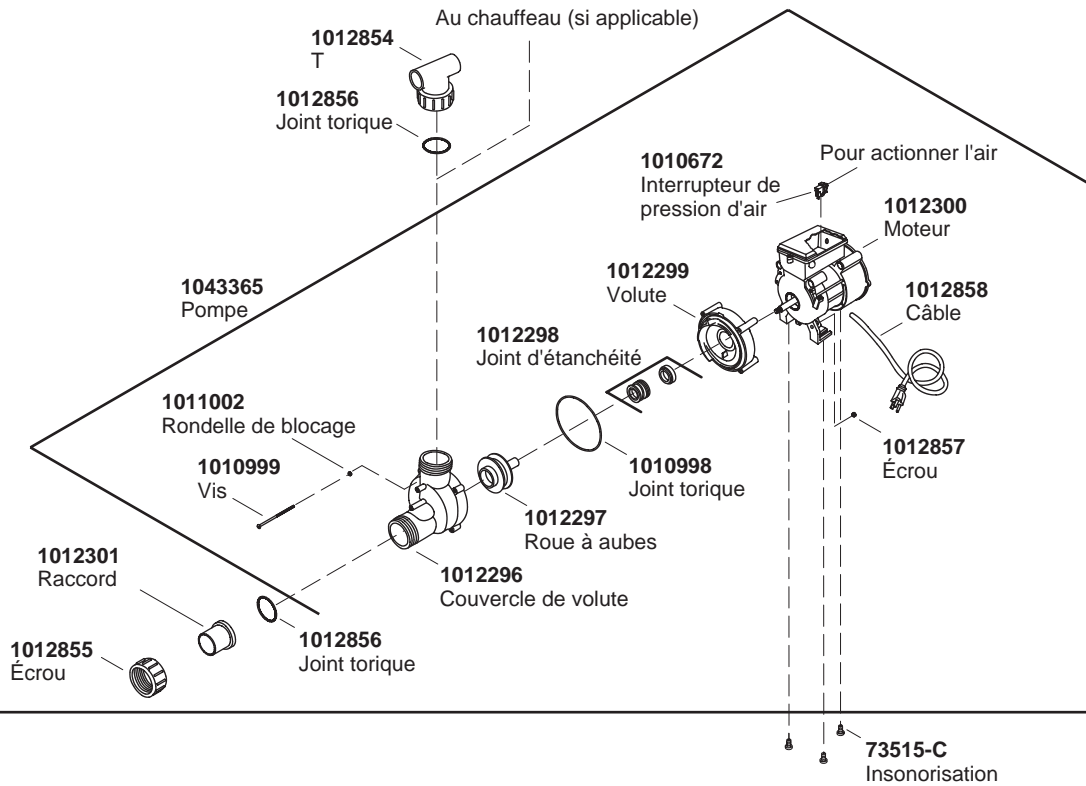
**1003065**  
Bride d'aspiration  
Outil d'extraction



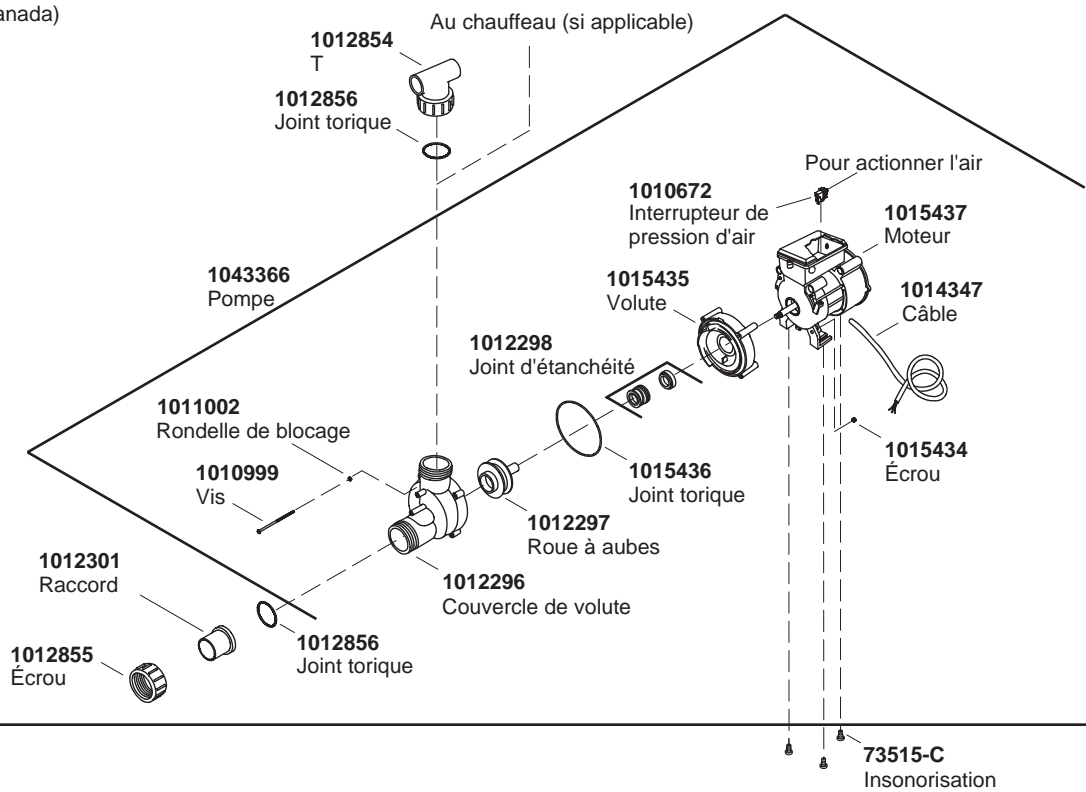
**\*\*Vous devez spécifier les codes de la finition et/ou de la couleur quand vous passez votre commande.**

## Pièces de rechange

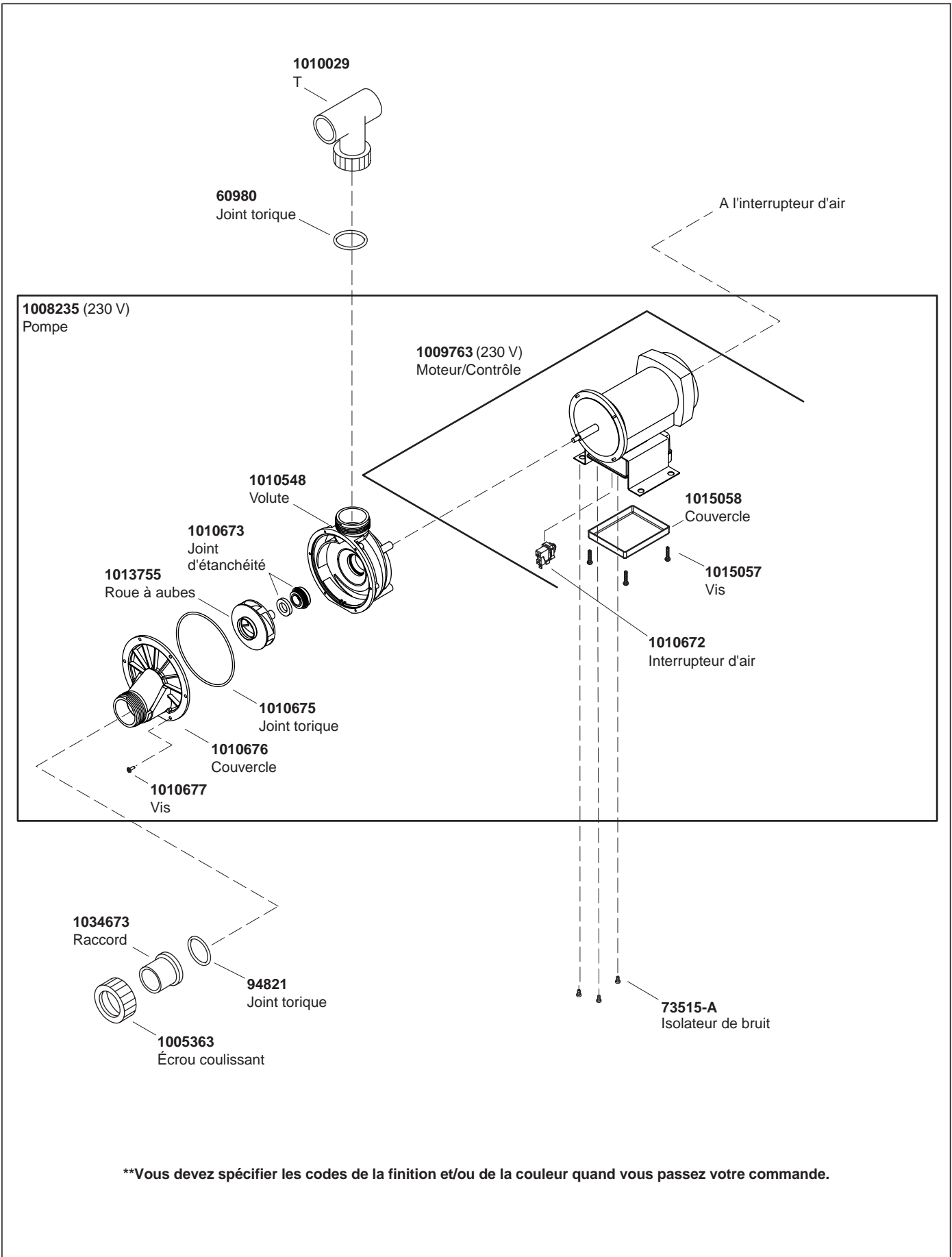
**1012859** (120 V, É.-U./Mexique)  
Pompe



**1008232** (120 V, Canada)  
Pompe



**\*\*Vous devez spécifier les codes de la finition et/ou de la couleur quand vous passez votre commande.**

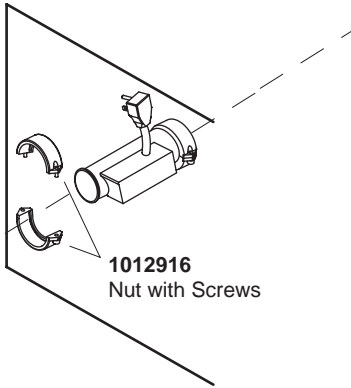


**1009718** (120 V, USA/Mexico)  
In-line Heater

**94821**  
O-Ring



**1012653**  
Adapter



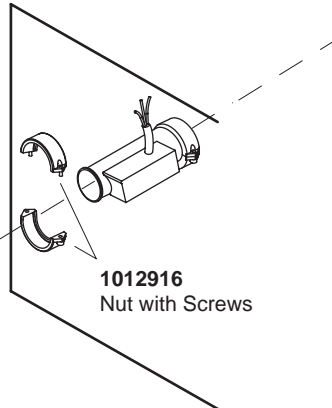
**1012916**  
Nut with Screws

**1009719** (120 V, Canada)  
In-line Heater

**94821**  
O-Ring



**1012653**  
Adapter



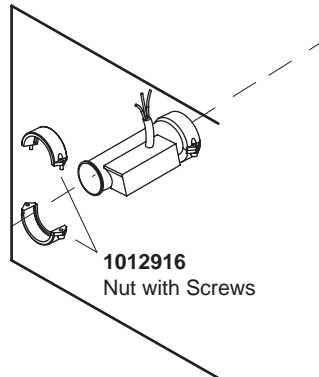
**1012916**  
Nut with Screws

**1009720** (230 V)  
In-line Heater

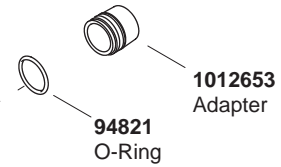
**94821**  
O-Ring



**1012653**  
Adapter



**1012916**  
Nut with Screws



**1012653**  
Adapter

**94821**  
O-Ring

**\*\*Finish/color code must be specified when ordering.**

# Guía del usuario

## Bañera de hidromasaje

### Instrucciones de funcionamiento

#### INSTRUCCIONES RELATIVAS AL RIESGO DE INCENDIO, DESCARGA ELÉCTRICA O LESIONES PERSONALES

#### LEA Y SIGA TODAS LAS INSTRUCCIONES GUARDE ESTAS INSTRUCCIONES



**ADVERTENCIA:** Al usar aparatos eléctricos, siga siempre las precauciones básicas, incluyendo las siguientes:



**PELIGRO: Riesgo de lesiones personales.** Para reducir el riesgo de lesiones, no permita que los niños usen este producto sin la estricta supervisión en todo momento.



**ADVERTENCIA: Riesgo de lesiones personales.** Para evitar lesiones, tenga cuidado al entrar y salir de la bañera de hidromasaje.



**ADVERTENCIA: Riesgo de descarga eléctrica.** No coloque aparatos eléctricos (como secador de pelo, lámparas, teléfono, radio o televisión) a menos de 5' (1,5 m) de esta bañera de hidromasaje.



**ADVERTENCIA: Riesgo de hipertermia.** Las personas bajo tratamiento médico o que padezcan de alguna condición médica deben consultar con un médico antes de utilizar una bañera de hidromasaje equipada con un calentador.

Use esta bañera de hidromasaje únicamente con el fin para el que se ha fabricado, tal como se explica en este manual. No utilice accesorios que no estén recomendados por el fabricante.

No deje caer ni introduzca objetos en ninguna de las aberturas.

No permita que este producto funcione sin la tapa protectora (tapadera) en la conexión de succión.

La bañera de hidromasaje debe conectarse solamente a un circuito eléctrico protegido con un interruptor de pérdida a tierra (GFCI) o disyuntor de fuga a tierra (ELCB). El instalador debe suministrar el interruptor de protección GFCI o ELCB, cuyo funcionamiento debe probarse de manera rutinaria. Para probar el interruptor de protección GFCI o ELCB, oprima el botón de prueba (test). El interruptor de protección GFCI o ELCB debe interrumpir el suministro eléctrico. Oprima el botón de restablecer (reset). Esto debe restablecer el suministro eléctrico. Si el interruptor de protección GFCI o ELCB no funciona de este modo, significa que está averiado. Si el interruptor de protección GFCI o ELCB, interrumpe la alimentación eléctrica a la bañera sin haber oprimido el botón de prueba, significa que existe corriente a tierra y la posibilidad de una descarga eléctrica. No utilice esta bañera de hidromasaje. Desconecte la bañera de hidromasaje, y antes de usarla, haga que un representante de servicio autorizado solucione el problema.

**NOTA:** Si el cable eléctrico de la bomba está dañado, debe ser reemplazado por el fabricante, un agente de servicio autorizado por el fabricante o personas igualmente calificadas para así evitar un peligro. El cable eléctrico del calentador no se puede reemplazar. Si el cable eléctrico está dañado, el calentador se debe desechar.



**ADVERTENCIA: El uso de alcohol, drogas o medicamentos puede aumentar enormemente el riesgo de sufrir hipertermia fatal.** La inmersión prolongada en agua caliente puede producir hipertermia. La hipertermia ocurre cuando la temperatura interna del cuerpo alcanza un nivel superior a la temperatura corporal normal de 98,6° F (37° C). Los síntomas de la hipertermia incluyen el aumento de la temperatura corporal interna, mareos, letargo, somnolencia y desfallecimiento. Los efectos de la



## Instrucciones de funcionamiento (cont.)

hipertermia incluyen: (a) incapacidad para percibir calor, (b) incapacidad para reconocer la necesidad de salir de la bañera, (c) inconsciencia de un peligro inminente, (d) daño al feto en mujeres embarazadas, (e) inhabilidad física para salir de la bañera y (f) pérdida del conocimiento con el consiguiente peligro de ahogarse.

**¡IMPORTANTE!** Limpie el sistema de su bañera de hidromasaje dos o más veces al mes dependiendo del uso, tal como se describe en la sección "Cuidado y limpieza" de este manual.

La temperatura del agua en la bañera no debe exceder los 104° F (40° C).

Mantenga los objetos pequeños tales como los juguetes y accesorios de baño fuera de la bañera de hidromasaje cuando esté en funcionamiento.

El uso constante de productos de higiene personal que contengan aceites puede dañar los componentes plásticos de la bañera de hidromasaje. No utilice champús a base de productos vegetales ni aceites de baño.

La acción del hidromasaje puede hacer que una pequeña cantidad de gel de burbujas, champú, jabón o aceite de baño espume en exceso. Por esta razón, no utilice estos productos durante el funcionamiento de la bañera de hidromasaje.

Su nueva bañera de hidromasaje de Kohler está incluida en la lista de Underwriter's Laboratories, aumentando así su seguridad y la de su familia. Asimismo, esta bañera de hidromasaje cumple con las estrictas normas del ANSI e IAPMO establecidas dentro de la industria de plomería.

## Contenido

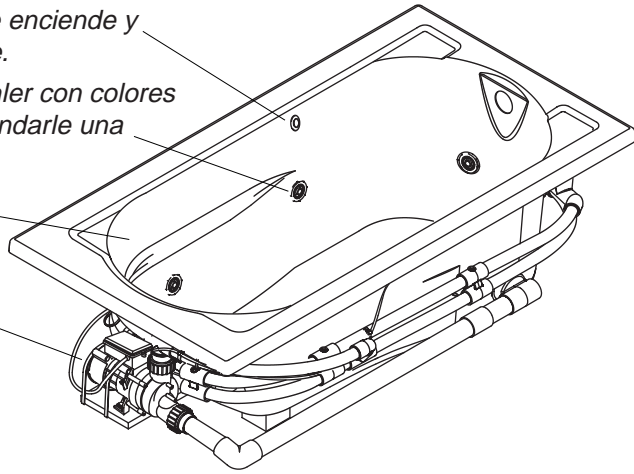
Instrucciones de funcionamiento .....	1
Gracias por elegir los productos de Kohler .....	3
Su bañera de hidromasaje de Kohler .....	3
Funcionamiento de su bañera de hidromasaje .....	4
Instrucciones de cuidado y limpieza .....	4
Garantía limitada de cinco años - Cuerpo acrílico .....	5
Garantía limitada de un año - Estados Unidos y Canadá .....	6
Garantía de un año - México .....	6
Procedimientos de reparación .....	7
Piezas de repuesto .....	9

*El control del accionador de aire enciende y apaga la bañera de hidromasaje.*

*Los inyectores de la bañera de hidromasaje Kohler con colores coordinados se ajustan individualmente para brindarle una experiencia personal de hidromasaje.*

*Los reposabrazos y el soporte integrado para la zona lumbar envuelven al usuario de confort.*

*El motor de 1,25 hp proporciona silenciosamente un nivel intenso y constante de hidromasaje.*



## Gracias por elegir los productos de Kohler

Gracias por elegir la línea de productos de The Bold Look of Kohler. La artesanía de Kohler le ofrece una rara combinación de rendimiento comprobado y agraciada elegancia capaces de satisfacer sus exigencias durante muchos años. La fiabilidad y belleza de su nueva bañera de hidromasaje sobrepasarán sus mayores expectativas. En Kohler, nos sentimos orgullosos de nuestras bañeras de hidromasaje y sabemos que usted también lo estará.

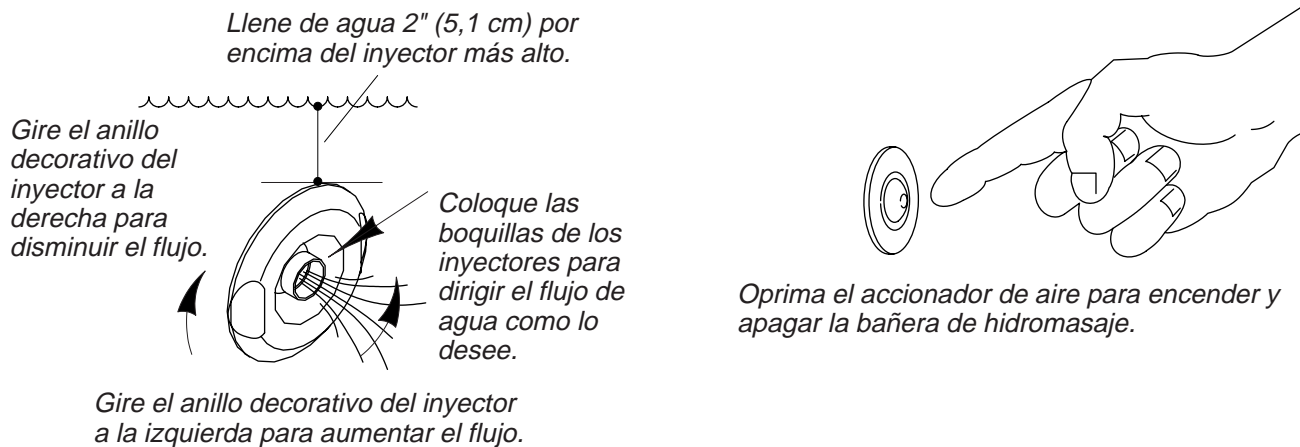
Dedique unos minutos para leer esta Guía del usuario antes de utilizar su nueva bañera de hidromasaje. Preste especial atención a las instrucciones de cuidado y limpieza en este manual.

Toda la información contenida en las instrucciones está basada en la información más reciente disponible al momento de su publicación. En Kohler, nos esforzamos constantemente por mejorar la calidad de nuestros productos. Por lo tanto, nos reservamos el derecho de efectuar cambios en las características del producto, embalaje o disponibilidad en cualquier momento, sin previo aviso.

## Su bañera de hidromasaje de Kohler

Su nueva bañera de hidromasaje está diseñada para estimular, tonificar y dar energía a su cuerpo con una terapia de hidromasaje reconfortante. La bañera de hidromasaje consta de los siguientes componentes:

- **Bañera** - Actúa como un depósito de agua y es el lugar de acción del hidromasaje.
- **Accionador de aire** - De fácil alcance, el accionador de aire enciende y apaga la bañera de hidromasaje por la activación de un fiable sensor.
- **Bomba motor** - Hace circular silenciosamente el agua y crea la acción calmante del hidromasaje.
- **Inyectores ajustables** - Colocados de manera que optimizan el efecto del hidromasaje, los inyectores le permiten ajustar el flujo de aire y agua, así como controlar la dirección del flujo que desee.



## Funcionamiento de su bañera de hidromasaje

- Coloque las boquillas de los inyectores de manera que miren hacia abajo en la bañera. Gire el anillo decorativo de los inyectores totalmente hacia la izquierda.

**NOTA:** La temperatura del agua en la bañera de hidromasaje nunca debe exceder de 104° F (40° C).

- Cierre el desagüe y llene la bañera de hidromasaje al menos 2" (5 cm) por encima del inyector más alto. Pruebe la temperatura del agua con la mano para su confort y seguridad y luego entre en la bañera con cuidado.
- Oprima el accionador de aire para encender la bañera de hidromasaje.
- Ajuste los inyectores para obtener una mezcla óptima de aire/agua. Gire el anillo decorativo de los inyectores hacia la derecha para reducir el flujo de aire, y hacia la izquierda para aumentarlo. Oriente las boquillas de los inyectores en la dirección deseada para aprovechar al máximo la experiencia del hidromasaje.
- Vuelva a oprimir el accionador de aire por segunda vez para apagar la bañera de hidromasaje.
- Salga de la bañera con cuidado y abra el desagüe para vaciar la bañera de hidromasaje.

**NOTA:** Si la bañera de hidromasaje no funciona correctamente, consulte la sección "Problemas de reparación".

## Instrucciones de cuidado y limpieza

### Limpieza de la bañera de hidromasaje acrílica

- No utilice limpiadores abrasivos ni disolventes en las superficies acrílicas.
- Limpie la bañera de hidromasaje acrílica con un paño suave después de usarla.
- Evite detergentes, desinfectantes o productos de limpieza en aerosol.
- Si la superficie se ensucia demasiado, se puede utilizar un producto de limpieza de uso general, tal como: Formula 409® limpiador para todo uso, Gel Gloss® (sólo para bañera y ducha), Scrub Free® eliminador de manchas de moho, Mr. Clean® al limón fresco, Cinch®, Glass Plus®, o Fantastik® para todo uso.

**NOTA:** Para restaurar las superficies que estén opacas o rayadas: Aplique un compuesto blanco de pulir para autos con un trapo limpio. Frote enérgicamente las áreas rayadas y opacas. Limpie los residuos. A continuación aplique una capa de cera en pasta para autos. No aplique cera en las zonas donde camine o se sitúe de pie.

### Limpieza del sistema de su bañera de hidromasaje

## Instrucciones de cuidado y limpieza (cont.)

- Limpie el sistema de su bañera de hidromasaje dos o más veces al mes, dependiendo del uso. Utilice la secuencia que sigue:
- Gire los anillos decorativos de los inyectores totalmente a la derecha para reducir la inducción de aire.
- Llene la bañera de hidromasaje con agua caliente al menos 2" (5 cm) por encima del inyector más alto.
- Añada al agua 2 cucharadas (30 ml) de detergente para lavaplatos que espume poco y 20 onzas (590 ml) de cloro (lejía) para uso doméstico (5% - 6% hipoclorito sódico).
- Haga funcionar la bañera de hidromasaje de 5 a 10 minutos. Luego, apague y vacíe la bañera.
- Si lo desea, enjuague las superficies de la bañera con agua.
- Enjuague las superficies de los inyectores, la grifería, los asideros, el desagüe, etc. y séquelas con un paño suave.

## Garantía limitada de cinco años - Cuerpo acrílico

### Sólo para Norteamérica

La empresa Kohler garantiza que el cuerpo acrílico de las bañeras y/o bañeras de hidromasaje Devonshire y Portrait están libre de defectos de material y fabricación durante el uso normal residencial, por un periodo de cinco años a partir de la fecha de instalación del producto. El deterioro del brillo, las raspaduras, manchas o residuos de aguafuerte que puedan aparecer con el tiempo como consecuencia del uso, prácticas de limpieza o condiciones atmosféricas o de agua, no serán considerados como defectos de fábrica, sino como señal de desgaste y consumo normal. Esta garantía se aplica sólo a las bañeras y bañeras de hidromasaje Devonshire y Portrait instaladas en los Estados Unidos de América, Canadá y México.

El resto de componentes de la bañera de hidromasaje, incluyendo, pero no limitado al motor/bomba, los inyectores, el arnés y el juego decorativo, excepto el cuerpo acrílico, se regirán por la Garantía Limitada de un año de Kohler.

En caso de que la bañera o bañera de hidromasaje Devonshire y Portrait se instale o se utilice comercialmente fuera del territorio de Norteamérica, Kohler garantiza que el cuerpo acrílico está libre de defectos de material y fábrica por un (1) año, a partir de la fecha de instalación, junto a las demás condiciones de la presente garantía, excepto la duración.

En caso de hallar un defecto durante el uso normal residencial, Kohler Co., a su criterio, reparará, reemplazará o realizará los ajustes pertinentes en el cuerpo acrílico. Los daños causados por accidentes, uso indebido o abuso no están cubiertos en la presente garantía. El cuidado y la limpieza indebidos anularán la presente garantía. Es necesario suministrar la prueba de compra (recibo original) a Kohler, al presentar las reclamaciones. Kohler Co. no se hace responsable por los gastos de mano de obra, instalación u otros gastos indirectos, incidentales o emergentes, aparte de los mencionados más arriba. En ningún caso la responsabilidad de Kohler se extenderá por encima del precio de la bañera de hidromasaje.

Si usted considera tener una reclamación en virtud de la presente garantía, comuníquese con su distribuidor, contratista de plomería o distribuidor a través de Internet. Por favor, asegúrese de proporcionar toda la información pertinente a su reclamación, incluyendo una descripción completa del problema, producto, número de modelo, color, acabado, fecha y lugar de compra del producto, así como la fecha de instalación. También incluya el recibo de compra original. Para mayor información, o para obtener el nombre y la dirección del lugar de reparación y servicio más cercano a Ud., escriba a Kohler Co., Att.: PNA Customer Service, Kohler, Wisconsin 53044, USA, o llame al 1-800-4-KOHLER desde los Estados Unidos, al 1-800-964-5590 desde Canadá, o al 001-877-680-1310 desde México.

**LAS GARANTÍAS SUBSIGUIENTES SUSTITUYEN A TODAS LAS DEMÁS GARANTÍAS, EXPRESAS O IMPLÍCITAS, INCLUYENDO, PERO NO LIMITADO A LAS GARANTÍAS IMPLÍCITAS DE COMERCIALIZACIÓN E IDONEIDAD PARA UN PROPÓSITO EN PARTICULAR.**

**EL VENDEDOR NO SE HACE RESPONSABLE POR CONCEPTO DE DAÑOS INDIRECTOS, INCIDENTALES O EMERGENTES.** Algunos estados/provincias no permiten limitaciones en cuanto a la duración de la garantía implícita o a la exclusión o limitación de tales daños, por lo que es posible que estas limitaciones o exclusiones no le afecten. La presente garantía otorga al consumidor ciertos derechos legales

## **Garantía limitada de cinco años - Cuerpo acrílico (cont.)**

específicos. Además, es posible que usted cuente con derechos que varían de estado en estado y provincia en provincia.

**El presente documento constituye la garantía exclusiva por escrito de Kohler.**

## **Garantía limitada de un año - Estados Unidos y Canadá**

### **Todos los componentes a excepción del cuerpo acrílico**

Se garantiza que los productos de plomería, accesorios y la grifería de KOHLER® están libres de defectos de material y fabricación por un año a partir de la fecha de instalación.

Kohler Co., a su elección, reparará, reemplazará o hará los ajustes apropiados en los casos en que la inspección realizada por Kohler Co. demuestre la presencia de cualquier defecto ocurrido con el uso normal en el transcurso de un año desde la fecha de la instalación. Kohler Co. no se hace responsable por los gastos de instalación o remoción.

Para obtener el servicio de garantía, comuníquese con Kohler a través de su distribuidor, contratista de plomería o distribuidor a través de Internet, o escriba directamente a: Kohler Co., Att: Customer Service Department, 444 Highland Drive, Kohler, WI 53044, USA, o llame al 1-800-4-KOHLER desde los Estados Unidos, al 1-800-964-5590 desde Canadá, o al 001-877-680-1310 desde México.

**Toda garantía implícita en relación a productos de uso comercial, incluyendo la comercialización e idoneidad del producto para un uso determinado, se limita expresamente a la duración de la presente garantía. Kohler Co. no se hace responsable por daños indirectos, incidentales o emergentes.** Algunos estados/provincias no permiten limitaciones en cuanto a la duración de la garantía implícita o a la exclusión o limitación de daños incidentales o de consecuencia, por lo que es posible que estas limitaciones y exclusiones no le afecten. La presente garantía le otorga ciertos derechos legales específicos. Además, es posible que usted cuente con derechos que varían de estado a estado y provincia a provincia.

**El presente documento constituye nuestra garantía exclusiva por escrito.**

#### **Notas:**

1. Puede que haya leves variaciones de color entre las imágenes del catálogo y los productos de plomería reales.
2. Kohler Co. se reserva el derecho de efectuar cambios en las características del producto, embalaje o disponibilidad en cualquier momento, sin previo aviso.

COPYRIGHT © 1999, 2000, 2001, 2002 POR KOHLER CO.

## **Garantía de un año - México**

### **Todos los componentes a excepción del cuerpo acrílico**

KOHLER CO.

Al adquirir el producto, se recomienda verificar que todos los accesorios y componentes contenidos en la caja estén completos.

Kohler Co. garantiza la falta de defectos de material o fabricación en este producto, por un (1) año, a partir de la fecha de compra que aparece en la factura o recibo.

1. Kohler Co. prestará servicio únicamente a los productos comercializados a través de sus distribuidores autorizados.
2. A fin de obtener el servicio de garantía, favor de presentar la factura de compra y la garantía correspondiente.
3. Kohler Co., a través de sus distribuidores autorizados, se compromete a reparar el producto defectuoso o a reemplazarlo por uno nuevo o equivalente (en caso de que el producto esté discontinuado) cuando no sea posible la reparación, sin ningún cargo al consumidor.

## Garantía de un año - México (cont.)

4. El tiempo de reparación no excederá de seis (6) semanas, a partir de la fecha de recepción del producto.
5. Se recomienda al consumidor que conserve el recibo o factura de compra como protección adicional, pues el mismo puede sustituir a la garantía, en caso de que exista discrepancia en cuanto a la validez de la misma.

### EXCEPCIONES Y RESTRICCIONES

La garantía no tendrá validez en los siguientes casos:

1. Cuando el producto no se haya utilizado conforme a las instrucciones de uso y funcionamiento incluidas en el manual del usuario y cuando no se hayan observado las recomendaciones y advertencias allí contenidas.
2. Cuando el producto se haya modificado o desmantelado parcial o totalmente; o manipulado de manera negligente y, como consecuencia, haya sufrido daños atribuibles al consumidor, persona o talleres no autorizados por Kohler Co.
3. Esta garantía no cubre los daños que resulten como consecuencia de desastres naturales, tales como incendios o actos divinos, incluyendo inundaciones, tormentas eléctricas u otros. Para obtener una lista de distribuidores cerca de usted y así hacer valer sus derechos bajo esta garantía, llame al 001-877-680-1310.

KOHLER CO., KOHLER, WI 53044 U.S.A.

### IMPORTADOR:

INTERNACIONAL DE CERÁMICA, S.A. DE C.V.

AV. CARLOS PACHECO NO. 7200

CHIHUAHUA, CHIH., MÉXICO C.P. 31060

TEL: 52 (14) 29-11-11

## Procedimientos de reparación

La tabla de problemas de reparación está diseñada únicamente como ayuda general. Un representante de servicio autorizado de Kohler o un electricista calificado debe resolver todos los problemas eléctricos. Para obtener servicio cubierto por la garantía, póngase en contacto con el vendedor o el distribuidor mayorista.

Síntomas	Causas probables	Acción recomendada
1. La bañera no se enciende/apaga.	<p>A. El motor de la bomba no tiene suministro eléctrico.</p> <p>B. El accionador de aire no funciona.</p> <p>C. El motor de la bomba no funciona.</p>	<p>A. Oprima el botón de restablecer (reset) del interruptor de circuito de pérdida a tierra (GFCI/ELCB); revise el cableado. Si el problema persiste consulte al instalador/distribuidor.</p> <p>B. Revise las conexiones de las tuberías de aire. Reemplace el accionador de aire. Consulte al distribuidor/instalador.</p> <p>C. Reemplace el motor de la bomba. Consulte al distribuidor/instalador.</p>
2. El motor se enciende, pero no todos los inyectores funcionan.	<p>A. Un inyector está cerrado.</p> <p>B. Un inyector no está instalado correctamente.</p> <p>C. Los inyectores están bloqueados.</p>	<p>A. Gire el anillo decorativo del inyector hacia la izquierda para abrirlo.</p> <p>B. Reinstale el inyector; compruebe que el empaque de anillo (O-ring) no esté dañado.</p> <p>C. Elimine la obstrucción.</p>

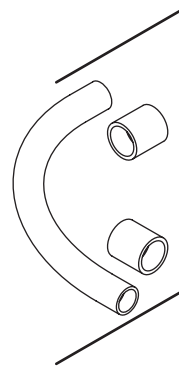
**Procedimientos de reparación (cont.)**

Síntomas	Causas probables	Acción recomendada
<p>3. La bañera de hidromasaje se apaga sola.</p>	<p>A. El interruptor de circuito (GFCI/ELCB) se ha disparado.</p> <p>B. La succión está bloqueada.</p> <p>C. Los inyectores están bloqueados.</p> <p>D. El motor se ha recalentado, activando el dispositivo de protección.</p>	<p>A. Identifique la causa del problema y corríjalo. Si el problema persiste consulte al instalador/ distribuidor.</p> <p>B. Elimine la obstrucción.</p> <p>C. Elimine la obstrucción.</p> <p>D. Verifique que las ventilaciones del motor no estén tapadas. Elimine la obstrucción y permita que el motor se enfríe. Verifique que no haya ningún bloqueo en la succión. Elimine la obstrucción y permita que el motor se enfríe. Verifique que no haya obstrucciones en los inyectores. Retire la obstrucción y permita que el motor se enfríe.</p>
<p>4. Funcionamiento ruidoso.</p>	<p>A. Las cintas metálicas de la bomba no se han cortado (modelos con bloques de soporte de madera únicamente).</p> <p>B. El empaque de anillo (O-ring) está mal colocado o seco (ruidoso).</p>	<p>A. Corte las cintas metálicas con unas tijeras para chapa.</p> <p>B. Extraiga el inyector, reemplace y lubrique el empaque de anillo (O-ring); vuelva a instalar el inyector.</p>
<p>5. El calentador no funciona.</p>	<p>A. El calentador no tiene suministro eléctrico.</p> <p>B. La temperatura del agua sobrepasa los 104° F (40° C).</p> <p>C. El calentador no funciona.</p>	<p>A. Oprima el botón de restablecer (reset) del interruptor de circuito de pérdida a tierra (GFCI/ELCB).</p> <p>B. Permita que el agua se enfríe para que el calentador se vuelva a encender.</p> <p>C. Reemplace el calentador. Consulte al distribuidor/instalador.</p>

**1041995\*\***  
Interruptor de aire

Hacia la bomba

**1042083**  
Tuerca para tubo



**93836** (1/2")  
**93838** (1")  
**93839** (1-1/4")  
**94853** (1-1/2")  
Tubo (con acopladores)

**91967**  
Válvula de retención

**1011001**  
Herramienta para  
extraer la brida

**67665**  
Tapón

**1015255\*\***  
Juego decorativo del inyector

**1015161**  
Herramienta del juego  
decorativo del inyector

**1008242\*\***  
Anillo decorativo

**1008244\*\***  
Boquilla móvil

**1008243\*\***  
Manga

**1008241**  
Empaque

**1013250**  
Tuerca

**1013249**  
Boquilla

**1008238**  
Alojamiento del inyector

**1008239**  
Brida

**73518**  
Tapón

**93685**  
Alojamiento

**96895\*\***  
Tapa de succión

**96708**  
Brida

**65886**  
Empaque

**65226\*\***  
Tapón de la tapa de succión

**65054\*\***  
Tornillo

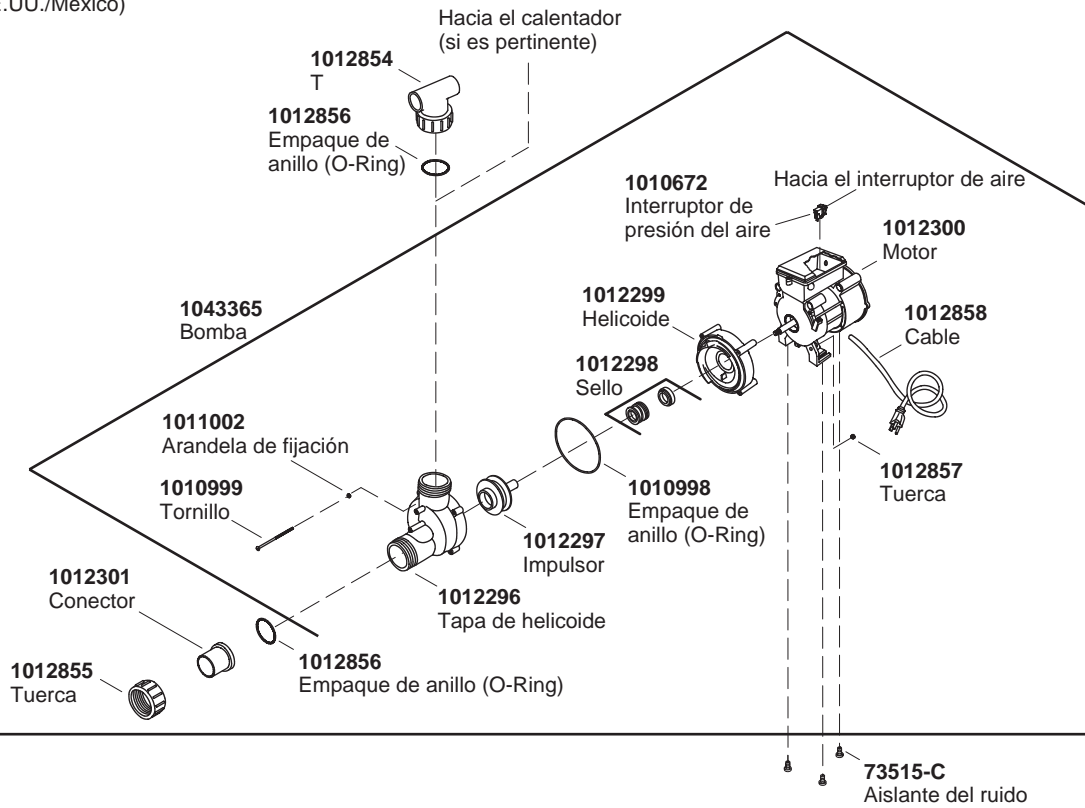
**1003065**  
Herramienta para extraer  
la brida de succión

**\*\*Se debe especificar el código del acabado/color con el pedido.**

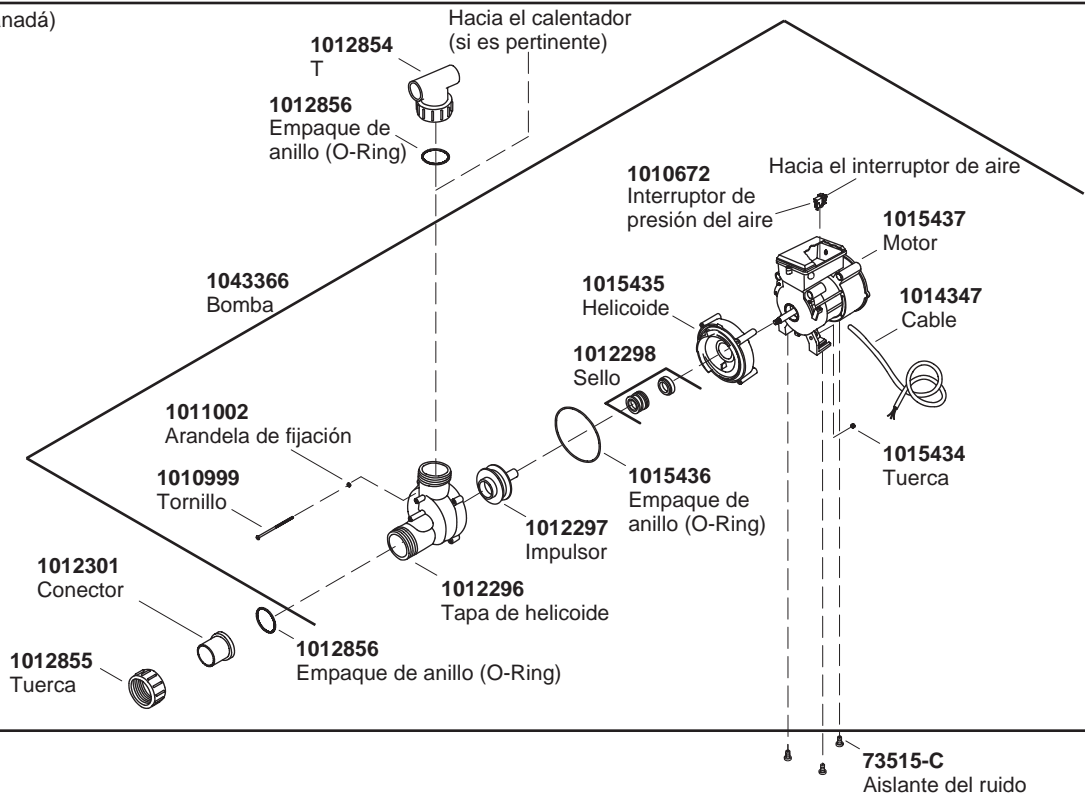
## Piezas de repuesto



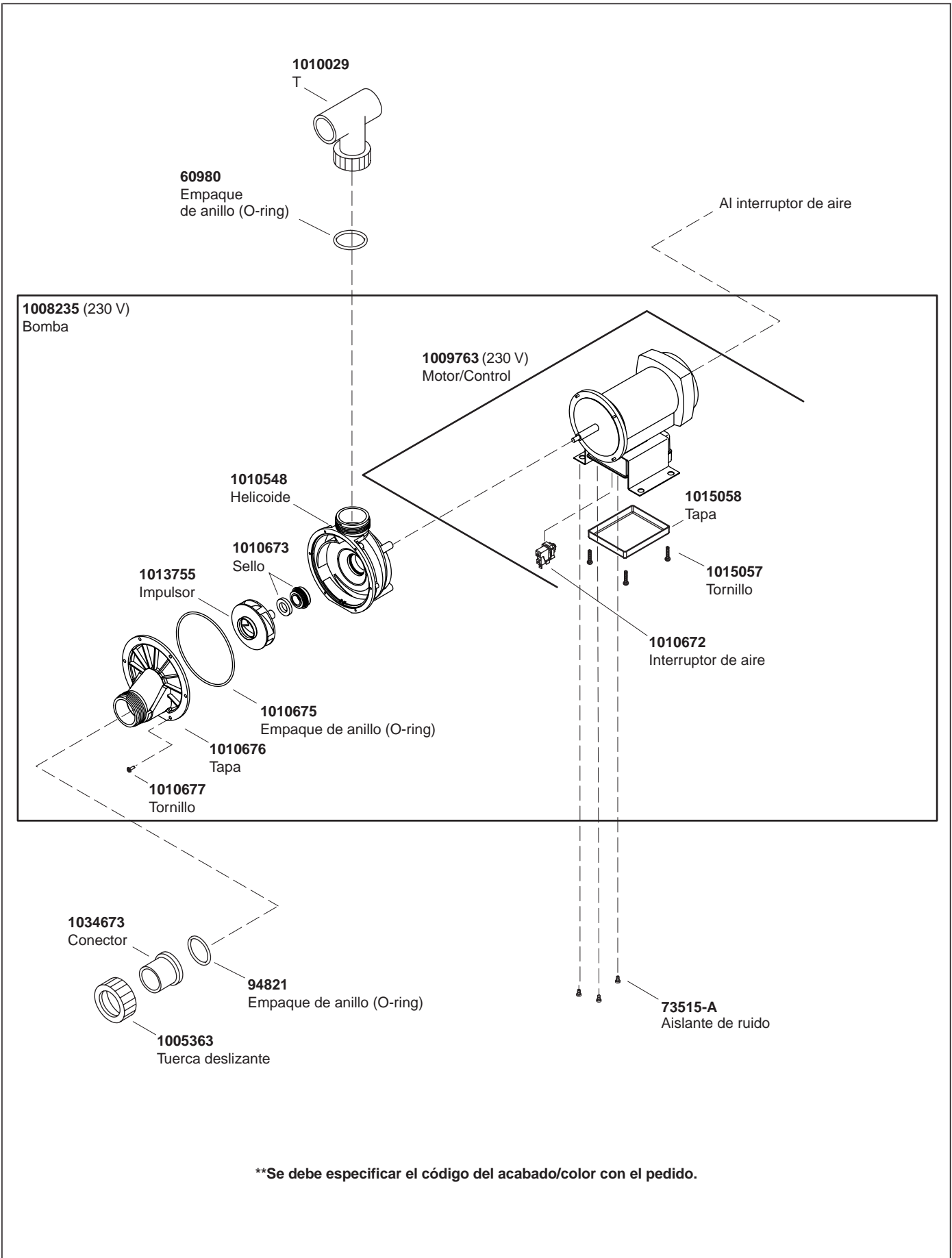
**1012859** (120 V, EE.UU./México)  
Bomba

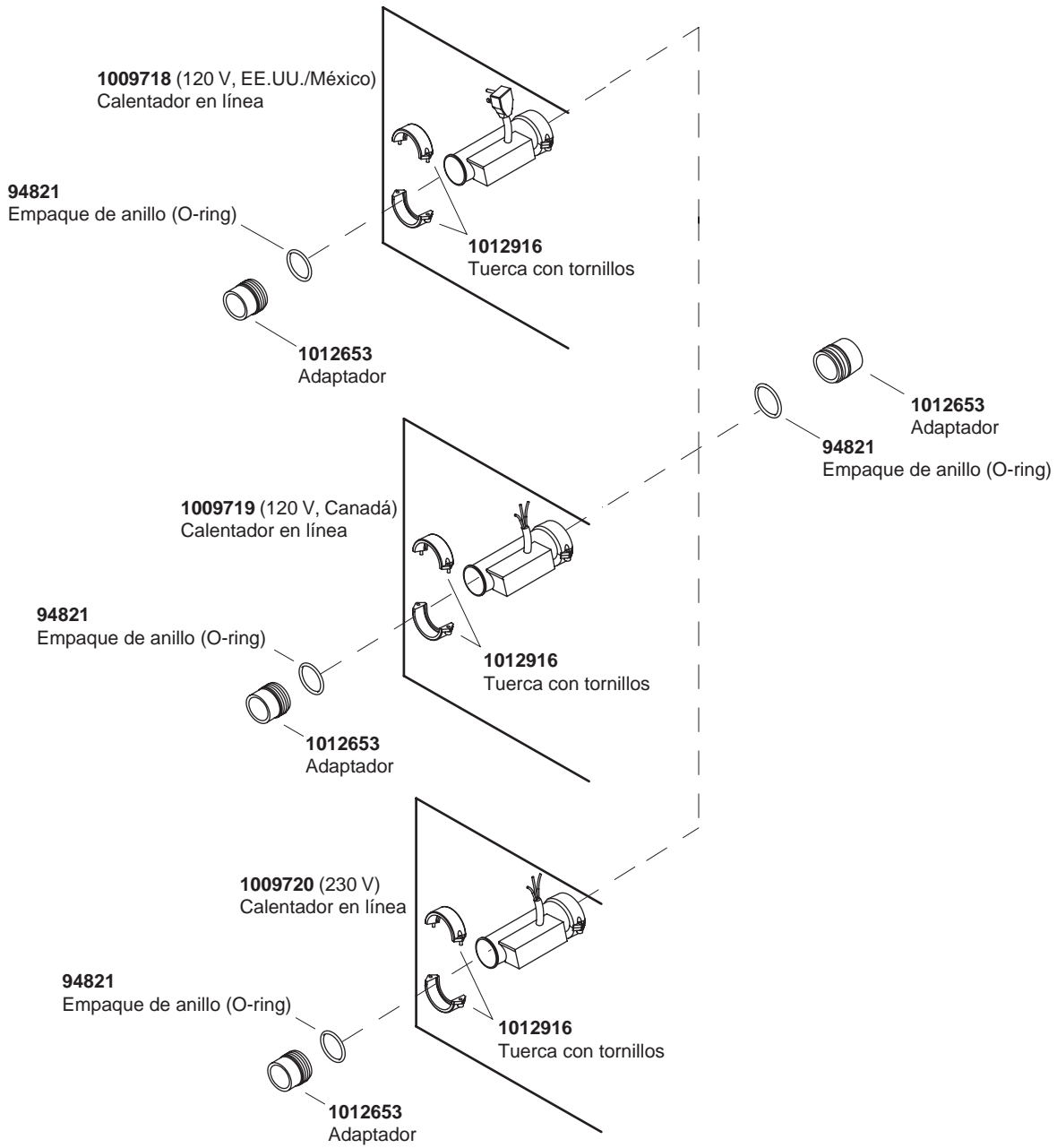


**1008232** (120 V, Canadá)  
Bomba



**\*\*Se debe especificar el código del acabado/color con el pedido.**





**\*\*Se debe especificar el código del acabado/color con el pedido.**

**USA: 1-800-4-KOHLER**  
**Canada: 1-800-964-5590**  
**México: 001-877-680-1310**

**[kohler.com](http://kohler.com)**

THE BOLD LOOK  
OF **KOHLER**®

©2005 Kohler Co.

1010997-5-E