

Features

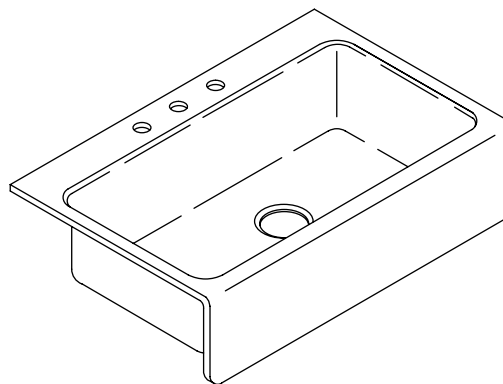
- KOHLER cast iron
- Acid-resistant enamel finish
- Single compartment
- With integral apron
- Undercounter mount (-4U)
- Tile-in mount (-4 & -3)
- 3-hole (-3), 4-hole (-4), or 4-hole (oversized) (-4U)
- 33" (83.8 cm) x 22-1/8" (56.2 cm)

Codes/Standards Applicable

Specified model meets or exceeds the following:

- ASME A112.19.1M
- IAPMO/UPC

APRON FRONT KITCHEN SINK K-6546



Colors/Finishes

- 0: White
- Other: Refer to Price Book for additional colors/finishes

Accessories:

- CP: Polished Chrome
- NA: None applicable
- Other: Refer to Price Book for additional colors/finishes

Specified Model

Model	Description	Colors/Finishes	
K-6546-3	3-hole sink (tile-in)	<input type="checkbox"/> 0	<input type="checkbox"/> Other_____
K-6546-4	4-hole sink (tile-in)	<input type="checkbox"/> 0	<input type="checkbox"/> Other_____
K-6546-4U	4-hole sink (undercounter)	<input type="checkbox"/> 0	<input type="checkbox"/> Other_____

Recommended Accessories			
K-9000	P-Trap	<input type="checkbox"/> CP	

Optional Accessories			
K-5984	Hardwood cutting board	<input type="checkbox"/> NA	
K-8801	Duostrainer® sink strainer	<input type="checkbox"/> CP	<input type="checkbox"/> Other_____

Product Specification

The kitchen sink shall be made of cast iron with acid-resistant enamel finish. Sink shall be single compartment. Sink shall have integral apron. Sink shall be undercounter (-4U) or tile-in (-4 or -3). Sink shall be 3-hole (-3), 4-hole (-4), or 4-hole (oversized) (-4U). Sink shall be 33" (83.8 cm) in length and 22-1/8" (56.2 cm) in width. Sink shall be Kohler Model K-6546-_____-_____.

Technical Information

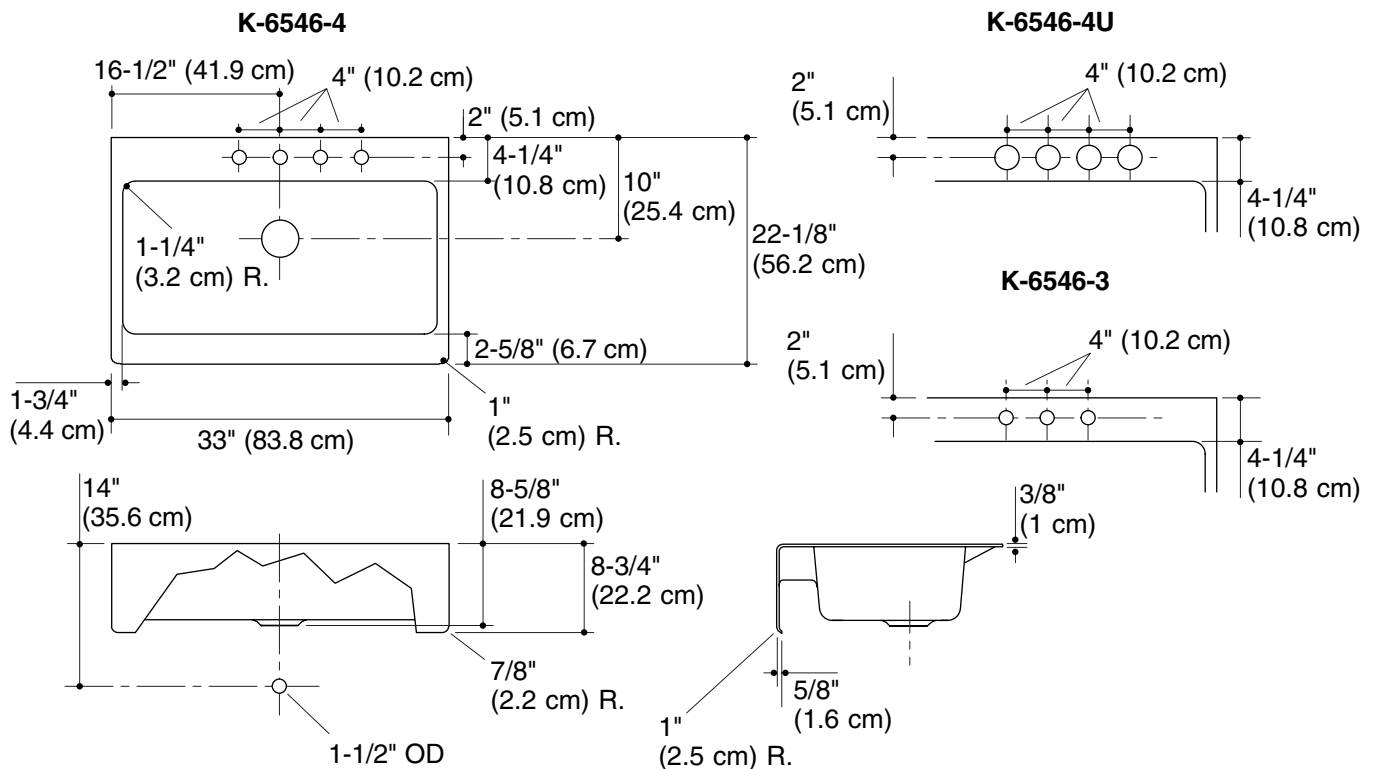
Fixture*:	
Sink	30" (76.2 cm) x 15" (38.1 cm)
Water depth	8" (20.3 cm)
Drain hole	3-5/8" (9.2 cm) D.
Faucet holes, undercounter	2-3/8" (6 cm) D.
Faucet holes, tile-in	1-3/8" (3.5 cm) D.
* Approximate measurements for comparison only.	

Installation Notes

Install this product according to the installation guide.

Due to the special nature of this installation, Kohler Co. recommends that an experienced cabinet maker use the actual sink to build the new cabinet or modify an existing cabinet.

For undercounter installations, allow a 3/4" (1.9 cm) reveal to support the K-5984 cutting board.



Product Diagram