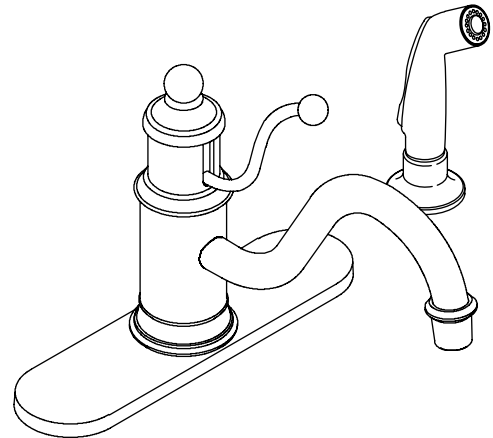


**Features**

- Brass construction
- Single-hole mounting
- One-piece, self-contained ceramic disc valve allows both volume and temperature control
- Temperature memory allows faucet to be turned on and off at any temperature setting
- Lever handle
- Available with or without handspray
- Flexible connections for easy installation
- 2.2 gpm (8.3 lpm) flow rate
- Handle(s) are ADA compliant
- Available with or without 10" (25.4 cm) escutcheon plate
- 8-7/8" (22.5 cm) swing spout

**KITCHEN SINK FAUCET  
K-171  
ALSO K-168, K-169, K-170**

**ADA**



**Codes/Standards Applicable**

Specified model meets or exceeds the following:

- ASME A112.18.1/CSA B125.1
- IAPMO/UPC
- Energy Policy Act of 1992 (EPACT)
- ASSE 1014
- NSF 61
- ADA

**Colors/Finishes**

- CP: Polished Chrome
- BN: Brushed Nickel

**Specified Model:**

Model	Description	Colors/Finishes	
		<input type="checkbox"/> CP	<input type="checkbox"/> BN
K-168	Less escutcheon plate; less handspray	<input type="checkbox"/> CP	<input type="checkbox"/> BN
K-169	Less escutcheon plate; with handspray	<input type="checkbox"/> CP	<input type="checkbox"/> BN
K-170	With escutcheon plate; less handspray	<input type="checkbox"/> CP	<input type="checkbox"/> BN
K-171	With escutcheon plate; with handspray (shown)	<input type="checkbox"/> CP	<input type="checkbox"/> BN

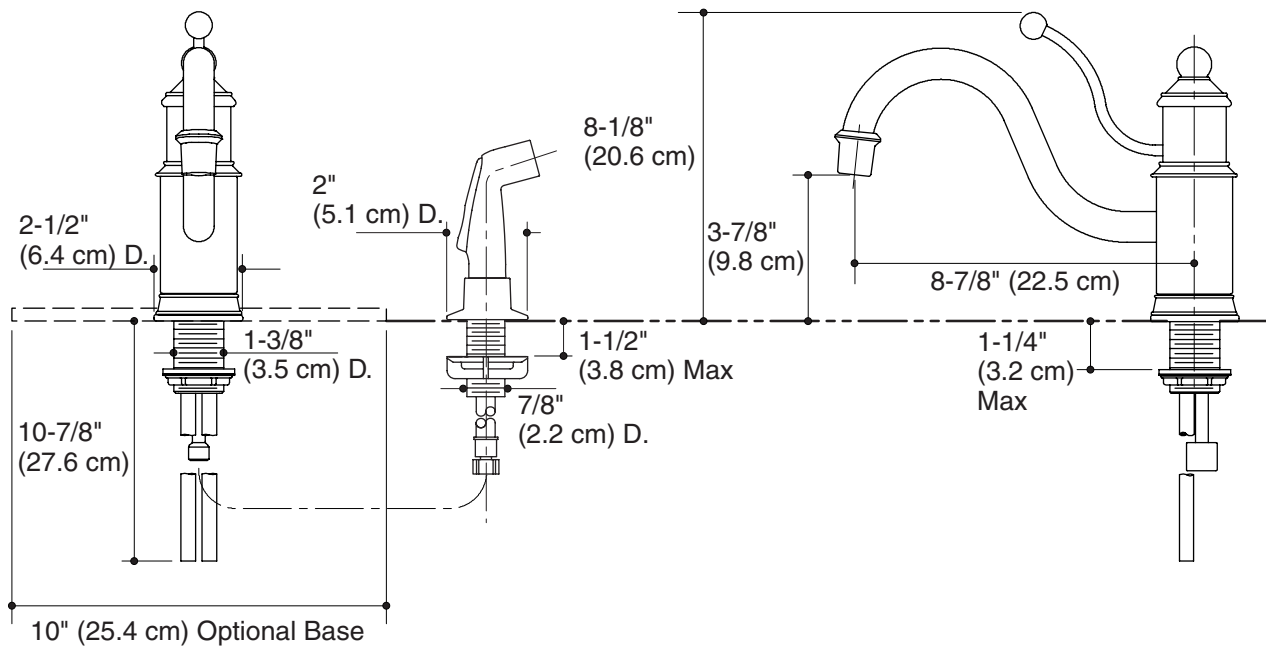
**Product Specification**

Single-control kitchen sink faucet shall be of brass construction. Faucet shall feature a one-piece, self-contained ceramic disc valve, and allows both volume and temperature control. Faucet shall feature temperature memory, allowing the faucet to be turned on and off at any temperature setting. Faucet shall have a flow rate of 2.2 gallons (8.3 L) per minute. Faucet shall feature single-hole mounting, 8-7/8" (22.5 cm) swing spout, lever handle, and flexible connections for easy installation. Optional features shall be 10" (25.4 cm) escutcheon plate, and handspray. Faucet shall feature ADA compliant handle. Faucet shall be Kohler Model K-\_\_\_\_-\_\_\_\_.

# ANTIQUETM

## Installation Notes

Install this faucet following the installation instructions provided.



## Product Diagram