

UNDERCOUNTER SINK K-3171

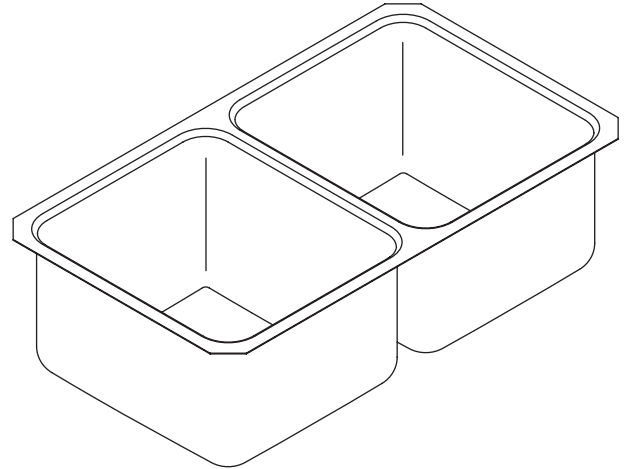
Features

- 18 gauge stainless steel
- Undercounter
- Includes installation hardware
- Double (equal) compartment
- Squared bowl(s)
- 29-1/4" (74.3 cm) x 15-3/4" (40 cm)
- 9-1/2" (24.1 cm) deep left basin and 9-1/2" (24.1 cm) deep right basin

Codes/Standards Applicable

Specified model meets or exceeds the following:

- IAPMO/UPC
- ASME A112.19.3



Colors/Finishes

- NA: None applicable

Accessories:

- CP: Polished Chrome
- 0: White
- Other: Refer to Price Book for additional colors/finishes
- NA: None applicable

Specified Model

Model	Description	Colors/Finishes
K-3171	Undercounter sink	<input type="checkbox"/> NA

Optional Accessories			
K-3190	Bottom basin rack (for either basin)	<input type="checkbox"/> 0 White	<input type="checkbox"/> Other_____
K-3277	Wire basket (for either basin)	<input type="checkbox"/> 0 White	<input type="checkbox"/> Other_____
K-3294	Hardwood cutting board (for either basin)	<input type="checkbox"/> NA	
K-8801	Duostrainer® sink strainer	<input type="checkbox"/> CP	<input type="checkbox"/> Other_____

Product Specification:

The undercounter sink shall be 29-1/4" (74.3 cm) in length and 15-3/4" (40 cm) in width. Sink shall be made of 18 gauge stainless steel. Sink shall be double (equal) compartment with squared bowls. Sink shall have 9-1/2" (24.1 cm) deep left basin and 9-1/2" (24.1 cm) deep right basin. Sink shall include installation hardware. Sink shall be Kohler Model K-3171.

UNDERTONE™

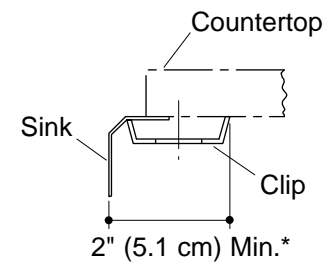
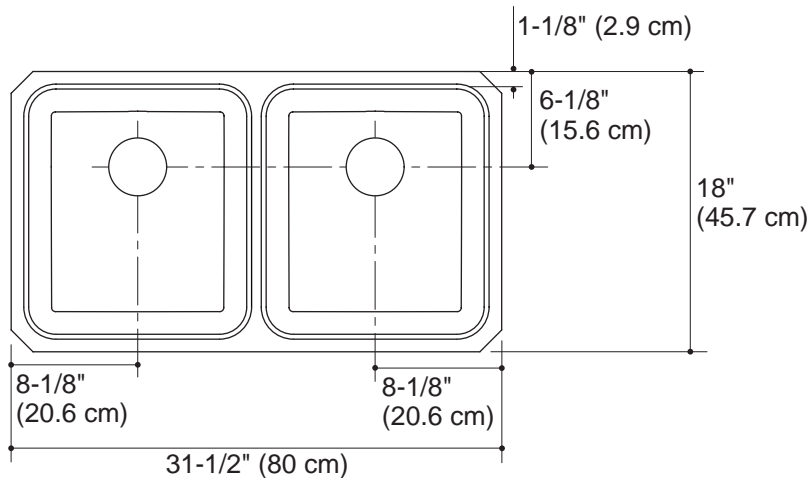
Technical Information

Fixture:*	basin area	water depth
Sink, left	14" (35.6 cm) x 16" (40.6 cm)	9-1/2" (24.1 cm)
Sink, right	14" (35.6 cm) x 16" (40.6 cm)	9-1/2" (24.1 cm)
Drain Hole	3-5/8" (9.2 cm) D.	
* Approximate measurements for comparison only.		

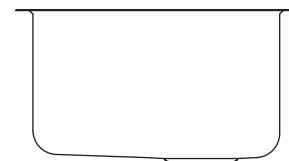
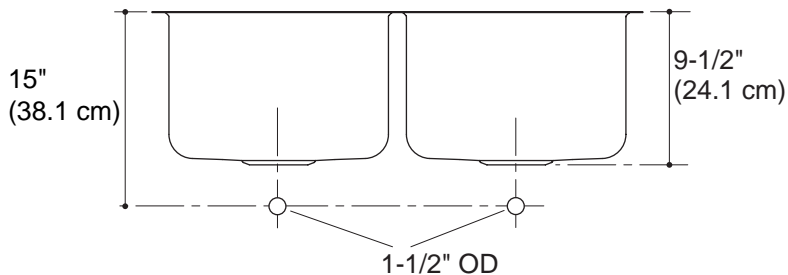
Included Components:	
Hardware kit (4 required)	91915
Cutout template	1040556-7

Installation Notes

Install this product according to the installation guide.



* Allow clearance around sink rim for clip attachment.



Product Diagram