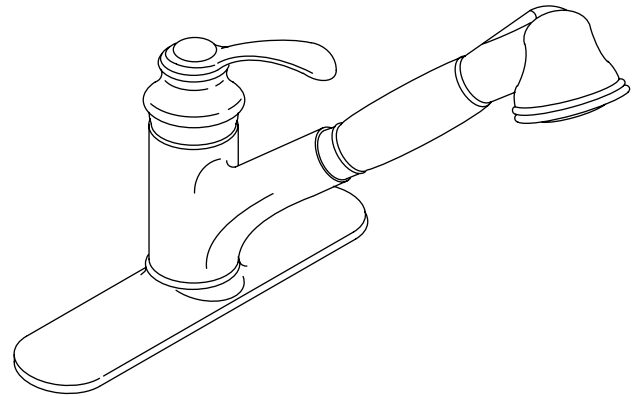


**KITCHEN SINK FAUCET
K-12177**

ADA

Features

- Metal construction
- One-piece, self-contained ceramic disc valve allows both volume and temperature control
- Temperature memory allows faucet to be turned on and off at any temperature setting
- High-temperature limit stop for added safety
- 2.2 gpm (8.3 lpm) flow rate
- Lower flow aerator options are available (refer to the Kohler Price Book)
- Touch control for stream-to-spray water flow
- Lever handle
- Integral vacuum breaker
- 10" (25.4 cm) escutcheon plate for three-hole installation
- 9" (22.9 cm) swing spout with integral sprayhead and retractable hose



Codes/Standards Applicable

Specified model meets or exceeds the following:

- ASME A112.18.1/CSA B125.1
- IAPMO/UPC
- Energy Policy Act of 1992 (EPACT)
- NSF 61
- ADA

Colors/Finishes

- CP: Polished Chrome
- PB: Polished Brass
- Other: Refer to Price Book for additional colors/finishes

Specified Model:

Model	Description	Colors/Finishes
K-12177	Kitchen sink faucet with matching color sprayhead	<input type="checkbox"/> CP <input type="checkbox"/> PB <input type="checkbox"/> Other ____

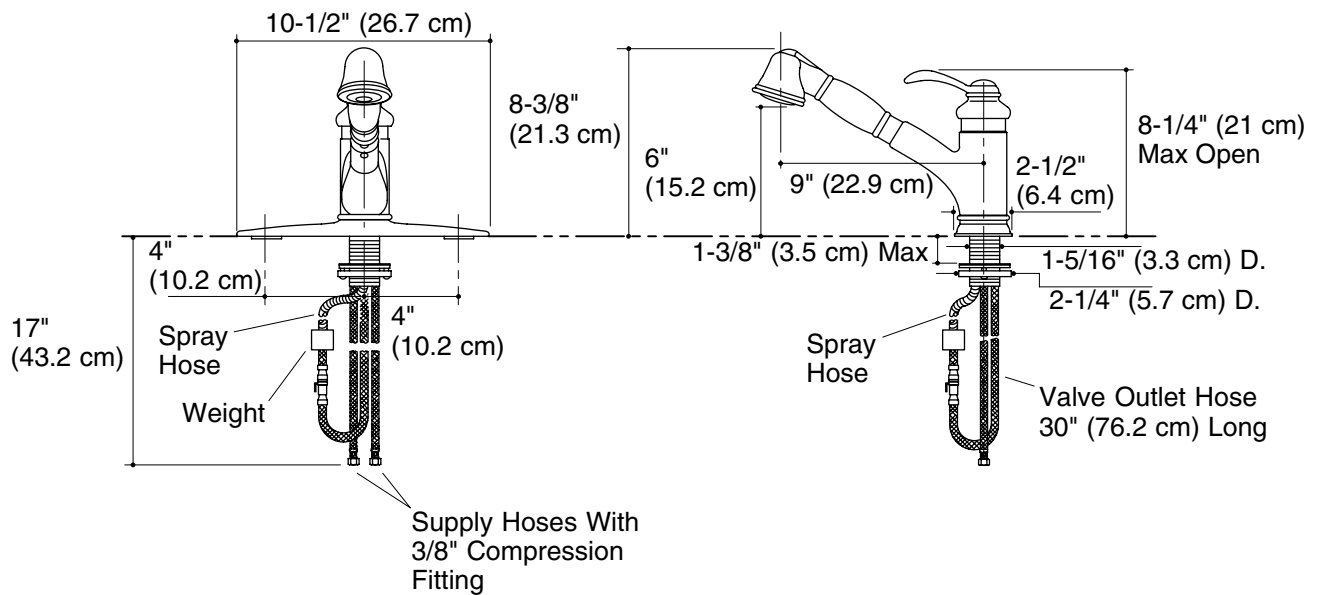
Product Specification

Single-control pull-out spray kitchen sink faucet shall be of metal construction. Valve shall be a one-piece, self-contained ceramic disc valve, allowing volume and temperature control. Valve shall feature temperature memory, allowing the faucet to be turned on and off at any temperature setting. Valve includes a high-temperature limit stop. Faucet shall have a flow rate of 2.2 gallons (8.3 L). Lower flow aerator options shall be available. Faucet shall feature stream-to-spray touch control. Faucet shall include 9" (22.9 cm) swing spout with integral sprayhead and retractable hose, lever handle, integral vacuum breaker, and 10" (25.4 cm) escutcheon plate. Faucet shall be Kohler Model K-12177-_____.

FAIRFAX®

Installation Notes

Install this product according to the installation guide.



Product Diagram