

ADA

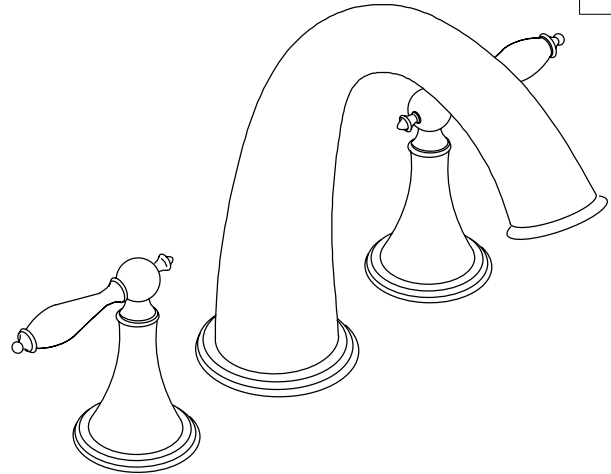
FEATURES

- Brass construction
- Deck-mount
- 7-1/2" high-arch non-diverter spout with slip-fit connection
- Traditional handles
- Available with contrasting or matching finish spout trim ring, escutcheons, and handle caps and ends

CODES/STANDARDS APPLICABLE

Specified model meets or exceeds the following:

- ASME/ANSI A112.18.1M
- CSA B125
- IAPMO/UPC



COLORS/FINISHES

- CP Polished Chrome
- PB Polished Brass
- Other Refer to Faucets Price Book for additional finishes

SPECIFIED MODEL: For complete faucet, both faucet trim and valve system must be specified.

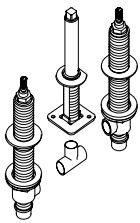
Model	Description			
K-T314-4F	With Biscuit Accents	<input type="checkbox"/> CP	<input type="checkbox"/> PB	
K-T314-4M	With Polished Finish Accents	<input type="checkbox"/> CP	<input type="checkbox"/> PB	<input type="checkbox"/> Other_____
K-T314-4P	With White Accents	<input type="checkbox"/> CP	<input type="checkbox"/> PB	

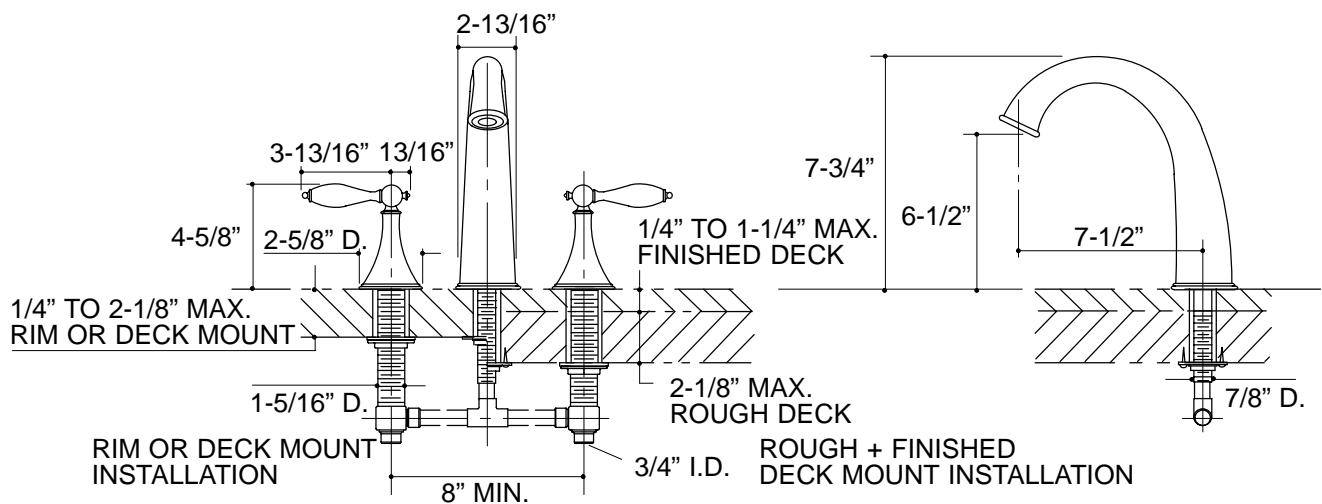
Required Accessory on Page 2.

PRODUCT SPECIFICATION:

Two-handle deck-mount high-flow bath faucet trim shall be of brass construction. Product shall include 7-1/2" high-arch non-diverter spout with slip-fit connection, and traditional handles. Faucet trim shall be Kohler Model K-T314-_____-_____- and valve system shall be Kohler Model K-301-K-NA.

FINIAL TRADITIONAL

Required Accessory		
K-301-K	3/4" High-Flow Ceramic Disc Valve System	<input type="checkbox"/> NA



PRODUCT DIAGRAM