

FEATURES

- Brass construction
- Compression valve
- Vertical metal tube with union connection
- Flange

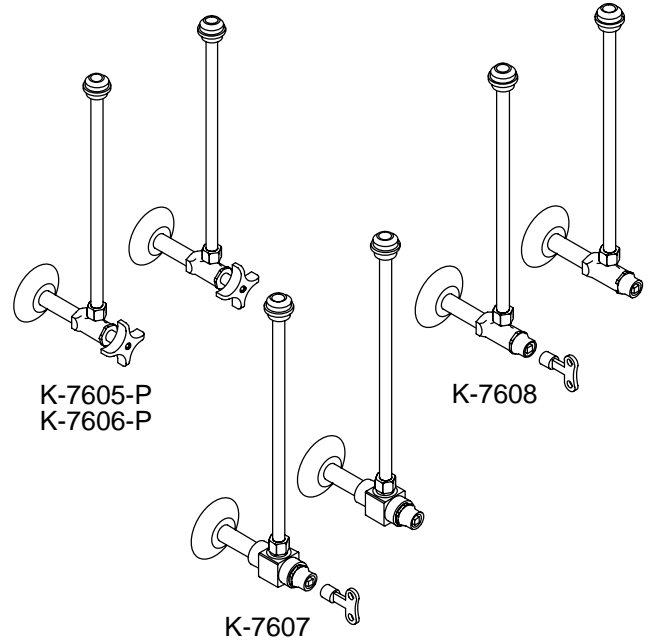
CODES/STANDARDS APPLICABLE

Specified model meets or exceeds the following:

- ASME/ANSI A112.18.1M
- IAPMO/UPC listed
- NSF 61

ANGLE SUPPLY WITH STOP, PAIR
K-7605-P

ALSO K-7606-P, K-7607, K-7608



COLORS/FINISHES

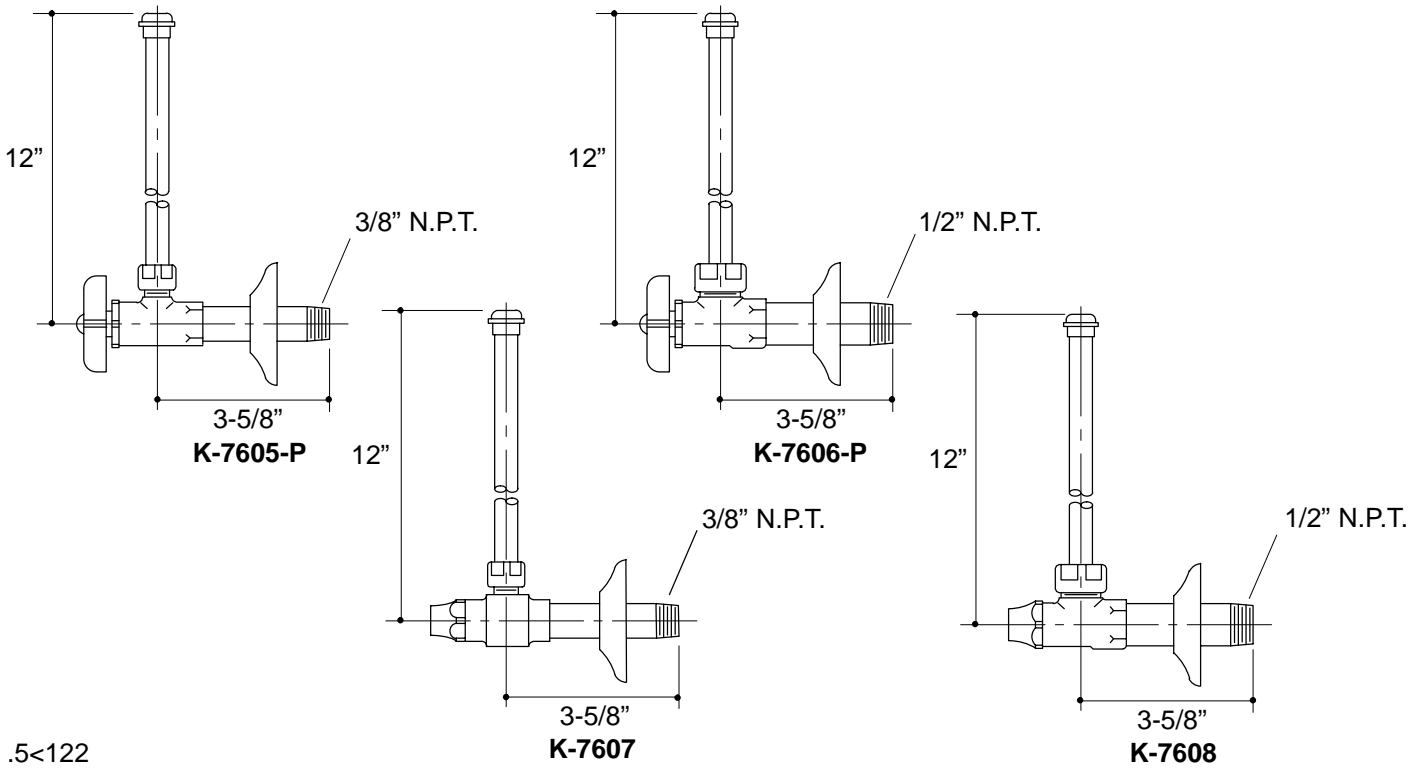
- CP Polished Chrome
- PB Polished Brass
- Other Refer to Faucets Price Book for additional finishes

SPECIFIED MODEL:

Model	Description			
K-7605-P	3/8" N.P.T. Connection and Four-Arm Handle Stop	<input type="checkbox"/> CP	<input type="checkbox"/> PB	<input type="checkbox"/> Other_____
K-7606-P	1/2" N.P.T. Connection and Four-Arm Handle Stop	<input type="checkbox"/> CP	<input type="checkbox"/> PB	
K-7607	3/8" N.P.T. Connection and Loose Key Stop	<input type="checkbox"/> CP		
K-7608	1/2" N.P.T. Connection and Loose Key Stop	<input type="checkbox"/> CP		

PRODUCT SPECIFICATION:

Angle supply with stop shall be of brass construction. Product shall feature a compression valve. Product shall include flange, nipple, and vertical metal supply tube with union connection. Optional features shall be four-arm handle or loose key stops, and 3/8" or 1/2" N.P.T. connections. Supply (pair) shall be Kohler Model K-_____-_____-_____.



.5<122

PRODUCT DIAGRAM