

Features

- Acrylic
- With Respose™ vinyl bath pillow.
- 48" (1219 mm) x 32" (813 mm) x 23-3/8" (594 mm)

Components

Additional included component/s: Vinyl Bath Pillow.



Codes/Standards







CSA B45.5/IAPMO Z124
ASTM E162
ASTM E662
CARB P2

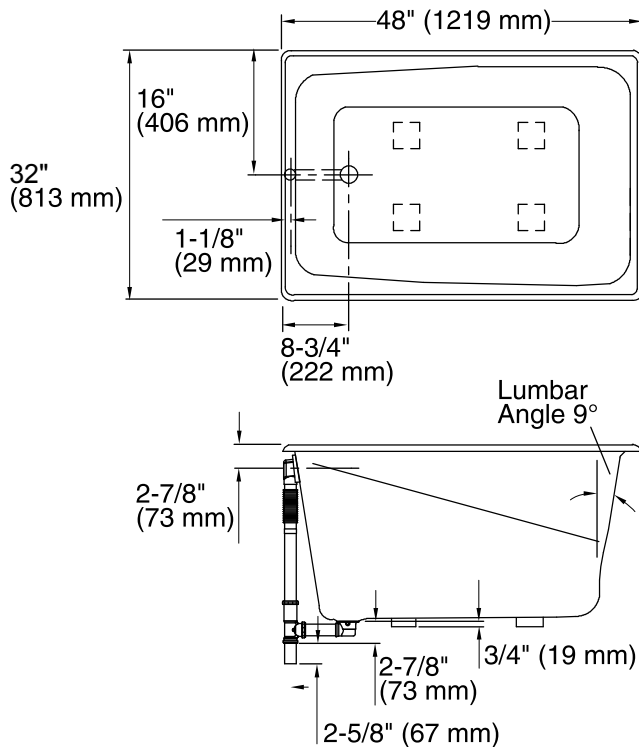
KOHLER® One-Year Limited Warranty

See website for detailed warranty information.

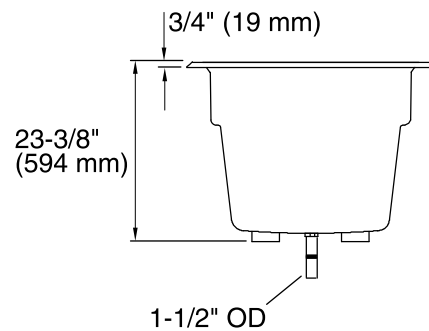
Available Color/Finishes

Color tiles intended for reference only.

Color	Code	Description
	0	White
	96	Biscuit
	47	Almond
	NY	Dune
	95	Ice™ Grey
	G9	Sandbar



No change in measurement if connected with drain illustrated. (K-7256)



Technical Information

All product dimensions are nominal.

Installation:	Drop-in
Basin area, bottom:	36" x 21" (914 mm x 533 mm)
Basin area, top:	42" x 26" (1067 mm x 660 mm)
Weight:	60 lbs (27.2 kg)
Minimum floor load:	61 lbs/ft ² (297.8 kg/m ²)
Water depth:	17-7/8" (454 mm)
Water capacity:	68 gal (257.4 L)
Cutout:	Drop-in, 46-1/2" x 30-1/2" (1181 mm x 775 mm)

Notes

Install this product according to the installation guide.

If installing the K-37382 or K-37385 drain, account for the bath rim depth so the drain overflow housing does not extend past the bath framing.