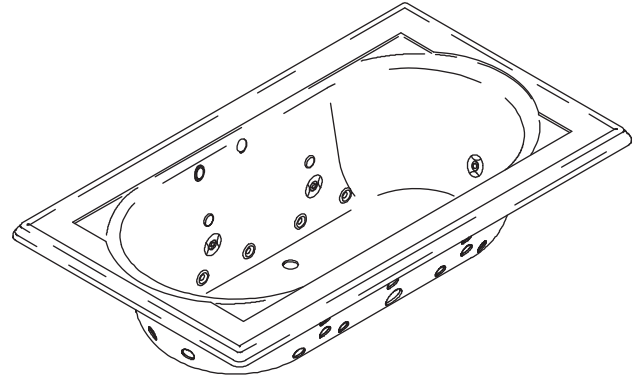


Features

- Acrylic
- Variable speed pump with 1.5 kW heater, back-lit user keypad, and remote control
- 8 Flexjet™ whirlpool jets
- 8 effervescent ports
- 4 chromatherapy lights
- 240 V, 20 A electrical service
- Color-matched jet trim included
- 72" (1829 mm) x 42" (1067 mm) x 22" (559 mm)

6' BATH WHIRLPOOL WITH SPA EXPERIENCE

K-1418-AH



Codes/Standards Applicable

Specified model meets or exceeds the following:

- ASME A112.19.7
- UL 1795
- ASTM E162
- ASTM E662
- CSA B45.5/IAPMO Z124

Colors/Finishes

- 0: White
- Other: Refer to Price Book for additional colors/finishes

Accessories

- 0: White
- CP: Polished Chrome
- PB: Vibrant® Polished Brass
- Other: Refer to Price Book for additional colors/finishes

Specified Model

| Model | Description | Colors/Finishes | | |
|--------------------------------|---------------------------------------|-----------------------------|-------------------------------------|-------------------------------------|
| K-1418-AH | 6' bath whirlpool with Spa Experience | <input type="checkbox"/> 0 | <input type="checkbox"/> Other_____ | |
| Recommended Accessories | | | | |
| K-7161-AF | Pop-up bath drain | <input type="checkbox"/> CP | <input type="checkbox"/> PB | <input type="checkbox"/> Other_____ |
| Optional Accessories | | | | |
| K-1491 | Pillow | <input type="checkbox"/> 0 | <input type="checkbox"/> Other_____ | |
| K-1601 | Footstop | <input type="checkbox"/> 0 | <input type="checkbox"/> Other_____ | |

Product Specification

The acrylic bath whirlpool shall be 72" (1829 mm) in length, 42" (1067 mm) in width, and 22" (559 mm) in height. Product shall have 240 V, 20 A electrical service and shall include color-matched jet trim. Product shall have 8 Flexjets™, 8 effervescent ports and 4 chromatherapy lights. Product shall have a variable-speed pump, a 1.5 kW heater, a back-lit user keypad, and remote control. Product shall complement the Memoirs® Suite. Bath whirlpool shall be Kohler Model K-1418-AH-_____.

MEMOIRS®

Technical Information

| | |
|---|------------------------------|
| Fixture*: | |
| Basin area: | |
| Bathing well | 48" (1219 mm) x 27" (686 mm) |
| Top area | 60" (1524 mm) x 30" (762 mm) |
| Weight | 140 lbs (63.5 kg) |
| To overflow: | |
| Water depth | 16" (406 mm) |
| Capacity | 94 gal (355.8 L) |
| * Approximate measurements for comparison only. | |

| | |
|-----------------|---------------------------------------|
| Drop-in cut-out | 70-1/2" (1791 mm) x 40-1/2" (1029 mm) |
|-----------------|---------------------------------------|

| Pump: | kW | V | Hz | A |
|-----------------|-----|-----|-------|----|
| Variable-speed: | 1.5 | 240 | 50/60 | 11 |

Required Electrical Service

| | |
|--|---------------------------|
| Dedicated circuit required, protected with Class A Ground-Fault Circuit-Interrupter (GFCI) or Residual Current Device (RCD): | |
| Pump/control | 220/240 V, 20 A, 50/60 Hz |

Installation Notes

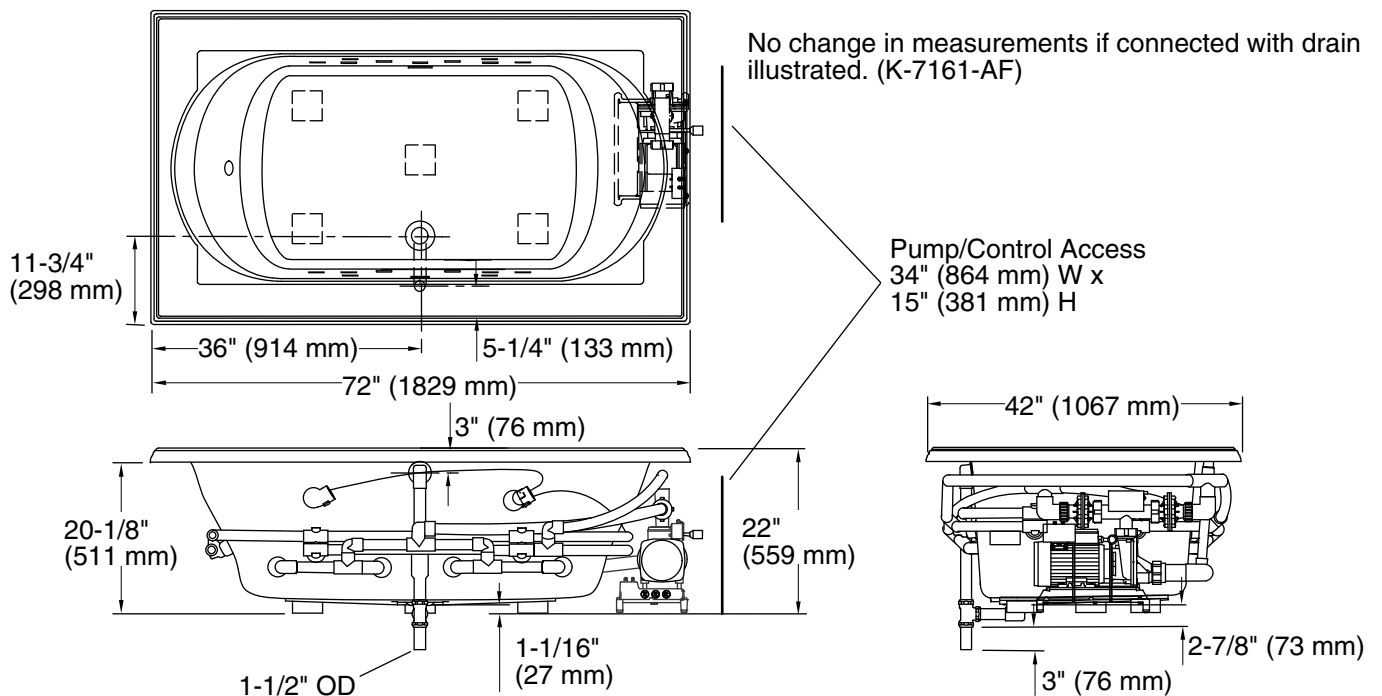
Install this product according to the installation guide.

Floor support under whirlpool must provide for a minimum of 45 lbs/square foot (221 kg/square meter) loading.

Hot water supply should be 70% of capacity or greater. Installations will vary.

If installing a rim-mount faucet, make sure there is no interference with drain overflow and circulating system before drilling any holes. Consult local and national codes for minimum air gap requirements if installing a spout on the faucet deck.

This whirlpool is designed for drop-in installation only. It is not suited for use in a three-wall alcove with an overhead shower.



Product Diagram