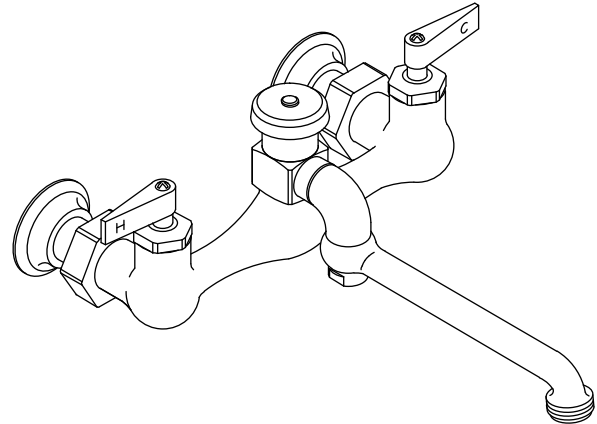


**SERVICE SINK FAUCET  
K-13624**

ADA

**Features**

- Brass construction
- For 8" (203 mm) centers
- Brass valve bodies
- Valvet® valves
- 7" (178 mm) swing spout threaded hose connection
- 13" (330 mm) wall-to-spout outlet
- ADA compliant lever handles
- Loose key stops
- Adjustable flanges
- Vacuum breaker
- Internal NPT connections



**Codes/Standards Applicable**

Specified model meets or exceeds the following:

- ADA
- ASME A112.18.1/CSA B125.1

**Colors/Finishes**

- CP: Polished Chrome

**Specified Model:**

| Model   | Description         | Colors/Finishes             |
|---------|---------------------|-----------------------------|
| K-13624 | Service Sink Faucet | <input type="checkbox"/> CP |

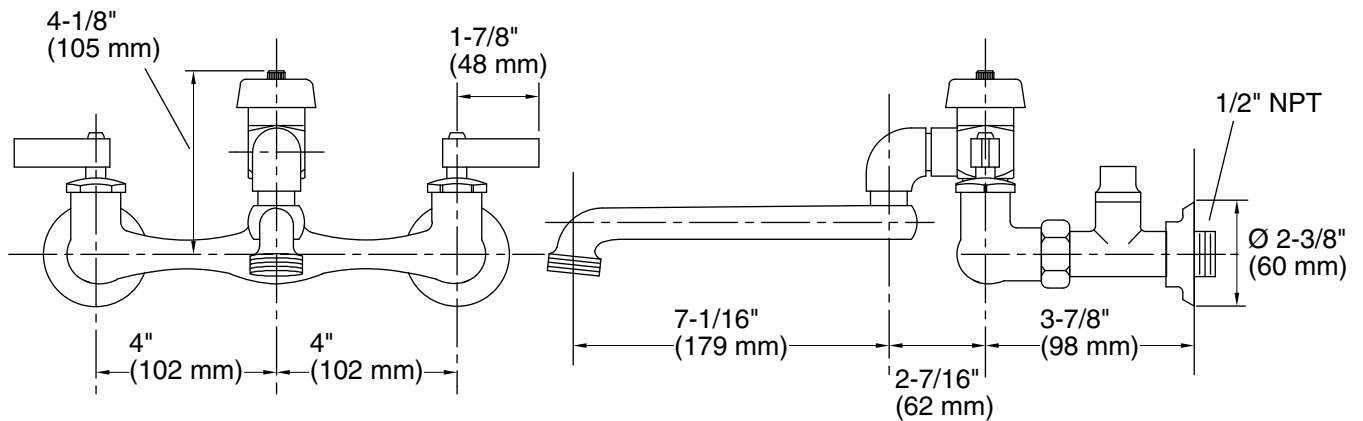
**PRODUCT SPECIFICATION**

Two-handle service sink faucet shall be of brass construction. Faucet shall feature brass valve bodies. Faucet shall also feature Valvet® valves. Product shall include 8" (203 mm) centers, 7" (178 mm) swing spout threaded hose connection, 13" (330 mm) wall-to-spout outlet, lever handles, loose key stops, adjustable flanges, vacuum breaker, and internal NPT connections. Faucet shall be Kohler Model K-13624-\_\_\_\_\_.

## Installation Notes

Install this product according to the installation guide.

Product complies with ASME A112.18.1/CSA B125.1. All dimensions are nominal.



## Product Diagram