



Iron/Tones®

Top-mount or Under-mount Kitchen Sink
K-6588

Features

- 15-inch minimum base cabinet width.
- KOHLER cast iron.
- Acid-resistant enamel finish.
- Top-mount or under-mount.
- Single bowl.
- Includes installation hardware.
- 14-1/2" (368 mm) in diameter.

Optional Accessories

K-8801 Sink Strainer

Components

Additional included component/s: Cut-out template, and Bowl clamp accessory pack.

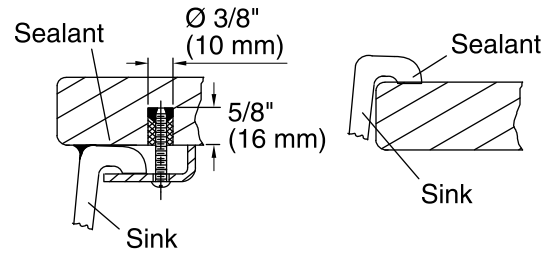
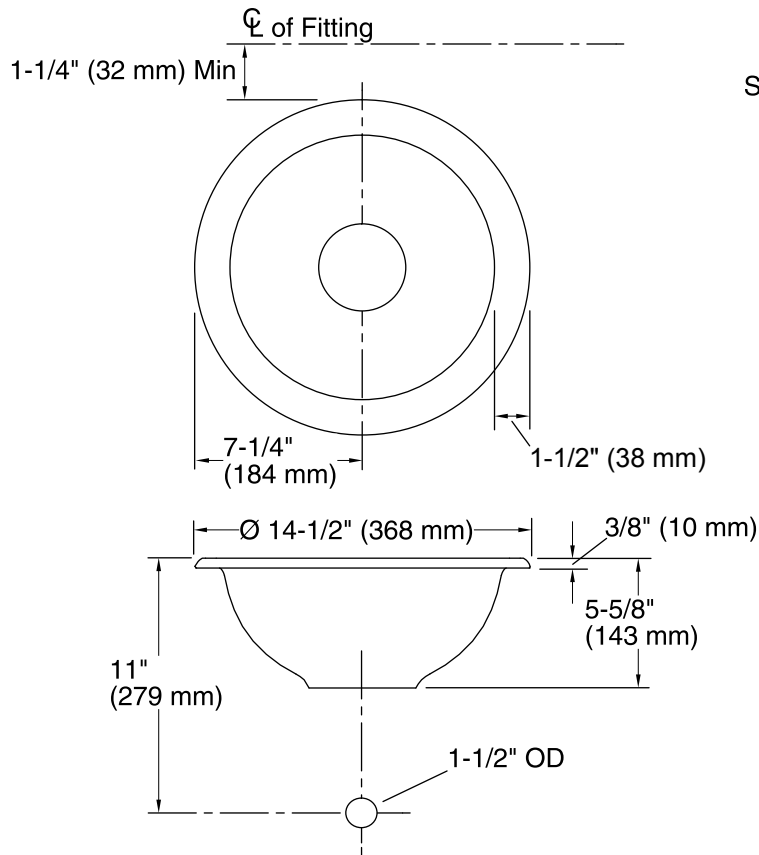


Codes/Standards

ASME A112.19.1/CSA B45.2

KOHLER® Lifetime Limited Warranty for Cast Iron Components

See website for detailed warranty information.



**Under-Mount
Installation**

**Top-Mount
Installation**

Technical Information

All product dimensions are nominal.

Bowl configuration:	Single
Installation:	Top-mount, Under-mount
Bowl area	Length: 11-1/2" (292 mm) Width: 11-1/2" (292 mm) Bowl depth: 5" (127 mm)
Drain hole:	3-7/8" (98 mm)
Template:	Top-mount/Under-mount, 114336-7, required, included

Notes

Install this product according to the installation guide.

Supplied bowl clamp assemblies require 1" (25 mm) minimum countertop thickness. Installer must supply hardware for thinner countertops.

For multiple bowl under-mount installations, a minimum distance of 3-3/8" (86 mm) is required between bowls. Countertop supplier to determine required support.