

### Features

- Premium metal construction for durability.
- KOHLER finishes resist corrosion and tarnish.
- Frosted-glass shade.
- Sconces can be positioned up or down, depending on room setting.
- CUL- and UL-approved up to 100 watts.
- Coordinates with other products in the Devonshire Collection.

### Installation

- Installation hardware included.



### Codes/Standards






UL 1598  
CSA C22.2 No. 250

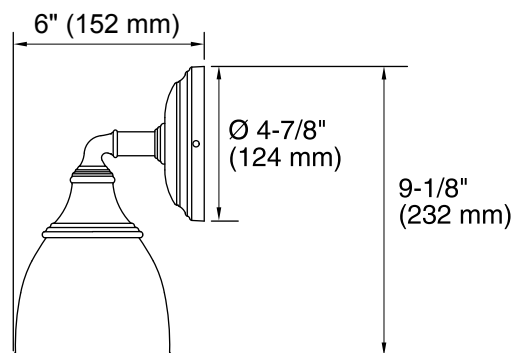
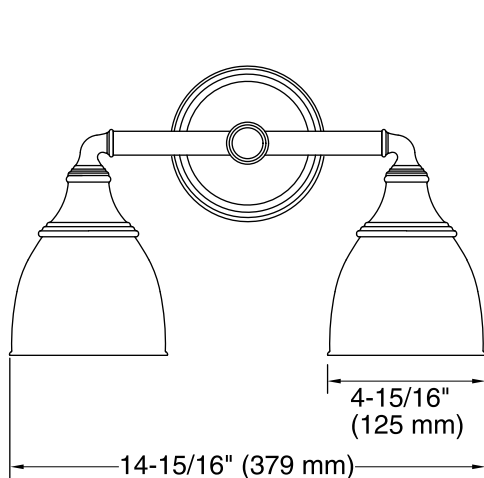
### KOHLER® One-Year Limited Warranty

See website for detailed warranty information.

### Available Color/Finishes

*Color tiles intended for reference only.*

Color	Code	Description
	CP	Polished Chrome
	SN	Vibrant® Polished Nickel
	BN	Vibrant® Brushed Nickel
	BV	Vibrant® Brushed Bronze
	2BZ	Oil-Rubbed Bronze



### Technical Information

All product dimensions are nominal.

### Notes

Install this product according to the installation guide.