

### Features

- Premium construction ensures durability and reliability
- Cross handles
- Push-button diverter
- 35° spout
- NPT connection

### Required Accessories

Option 1

K-11748-K

or

Option 2

K-11748-KS

### Deep Rough-In and Extension Kits

1016154

88526



### Codes/Standards

ASME A112.18.1/CSA B125.1





ASSE 1016

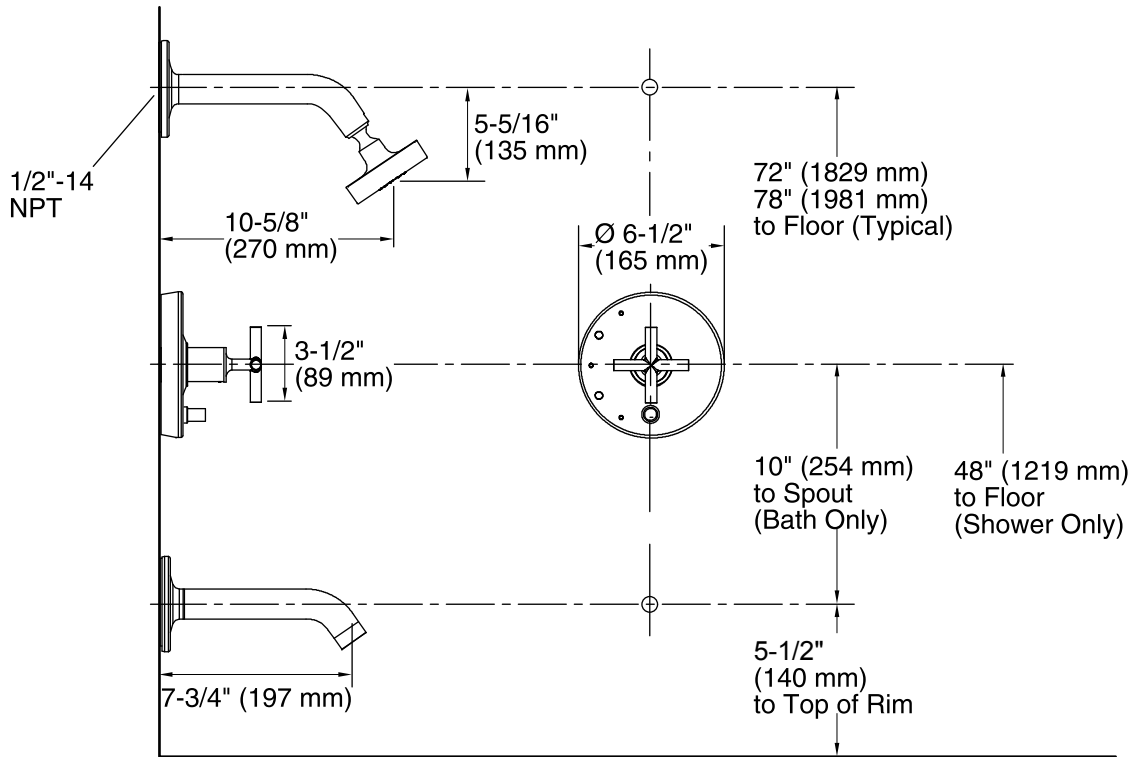
DOE - Energy Policy Act 1992

See website for detailed warranty information.

### Available Color/Finishes

*Color tiles intended for reference only.*

Color	Code	Description
	CP	Polished Chrome
	SN	Vibrant® Polished Nickel
	BN	Vibrant® Brushed Nickel
	BV	Vibrant® Brushed Bronze



### Technical Information

All product dimensions are nominal.

#### Showerhead:

Flow rate: 2.5 gal/min (9.5 l/min)  
 Pressure: 80 psi (5.5 bar)

### Notes

Install this product according to the installation guide.

Avoid cross-flow conditions. Do not install shut-off device on either valve outlet.

Cap the shower outlet if deck-mount spout, diverter, or handshower is connected to the spout outlet.