

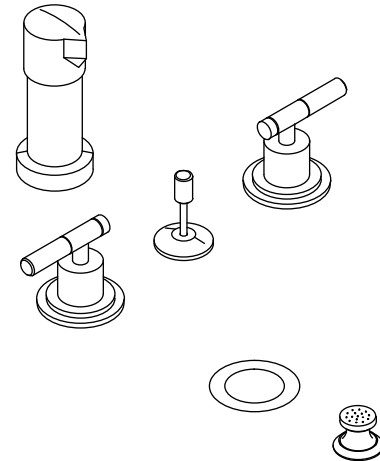
**Features**

- Brass construction
- Flexible connections for easy installation
- Brass valve bodies
- Pop-up drain with lift rod and tailpiece
- Vertical spray
- Fixture-mount transfer valve/vacuum breaker
- Quarter-turn washerless ceramic disc valves
- Variety of handle style options

**Codes/Standards Applicable**

Specified model meets or exceeds the following:


- ASME A112.18.1/CSA B125.1
- ASSE 1001



**Colors/Finishes**

- CP: Polished Chrome
- PB: Vibrant® Polished Brass
- Other: Refer to Price Book for additional colors/finishes

**Specified Model**

Model	Description			
K-8247-4	Taboret® bidet faucet with lever handles	<input type="checkbox"/> CP	<input type="checkbox"/> PB	<input type="checkbox"/> Other_____

**Product Specification**

Two-handle fixture-mount bidet faucet shall be of brass construction. Faucet shall feature brass valve bodies. Faucet shall feature quarter-turn washerless ceramic disc valves, assuring positive handle stop positioning. Product shall include flexible connections, pop-up drain with lift rod and tailpiece, handles, vertical spray, and fixture-mount valve/vacuum breaker. Faucet shall be Kohler Model K-8247-4-\_\_\_\_\_.

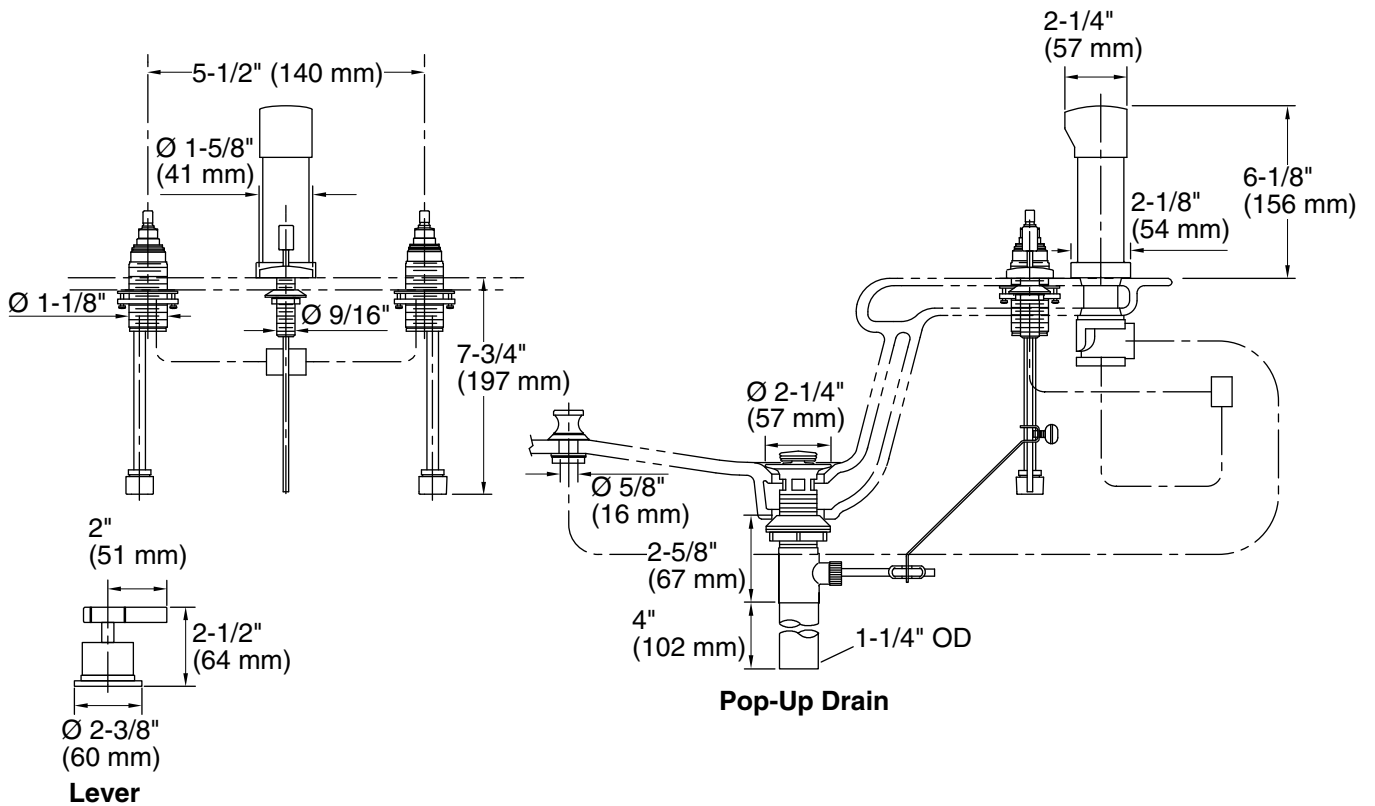
# TABORET®

## Technical Information

Applicable faucet:	
With lever handles	K-8247-4

## Installation Notes

Install this product according to the installation guide.



## Product Diagram