

Features

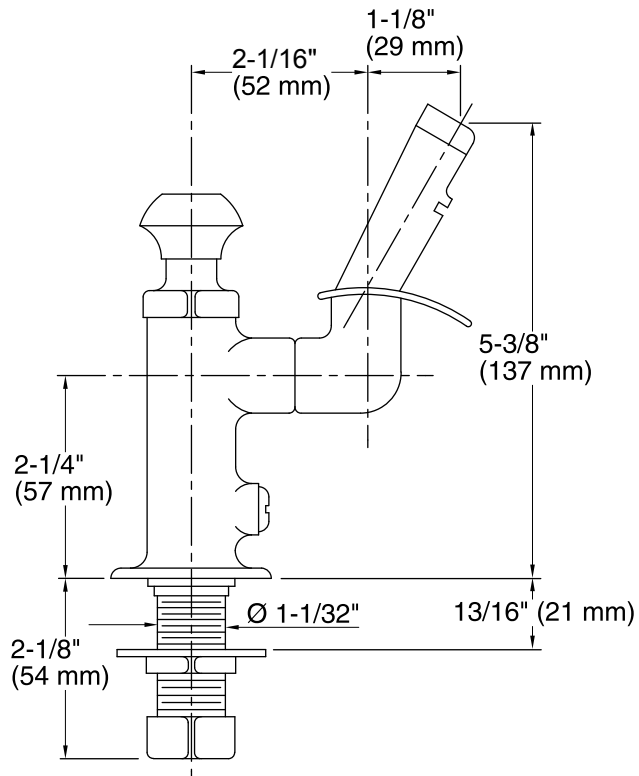
- Brass construction.
- Push button self-closing valve.
- 3-3/16" (81 mm) spout.
- Flow regulator.
- Less drain.



Codes/Standards

ASME A112.18.1/CSA B125.1
NSF 61
NSF 372

KOHLER® One-Year Limited Warranty
See website for detailed warranty information.



Technical Information

All product dimensions are nominal.

Spout reach: 3-3/16" (81 mm)

Notes

Install this product according to the installation guide.