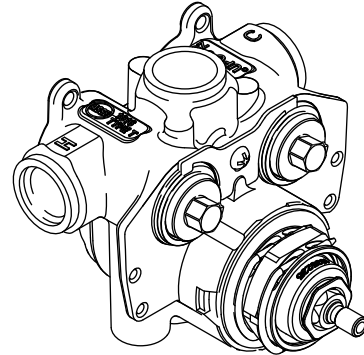


**1/2" THERMOSTATIC MIXER
K-2972-KS**

Features

- Forged brass valve body
- Single-handle temperature control
- High-temperature limit setting for added safety
- Temperature-balancing mechanism
- Scald hazard prevention
- Integral stops
- Crossflow prevention
- 1/2" NPT connections
- Filter screens
- Single outlet
- Less volume control



Codes/Standards Applicable

Specified model meets or exceeds the following:

- ASSE 1016
- ASME A112.18.1/CSA B125.1

Colors/Finishes

- NA: None applicable

Accessories

- NA: None applicable

Specified Model

Model	Description	Colors/Finishes
K-2972-KS	1/2" thermostatic mixer - less volume control	<input type="checkbox"/> NA
Required Accessories		
K-2974-K	1/2" volume control valve - for use on bath and shower outlets	<input type="checkbox"/> NA
Optional Accessories		
K-9663	Twin ell - for use with diverter bath spouts only	<input type="checkbox"/> NA

Product Specification

The thermostatic mixer less volume control shall have a forged brass valve body. Product shall feature single-handle temperature control, high-temperature limit stop for added safety, and temperature-balancing mechanism. Product shall feature integral stops, crossflow prevention, filter screens, and scald hazard prevention. Product shall have 1/2" NPT connections. The thermostatic mixer shall be Kohler Model K-2972-KS-NA and the required volume control valve shall be K-2974-K-NA.

MASTERSHOWER®

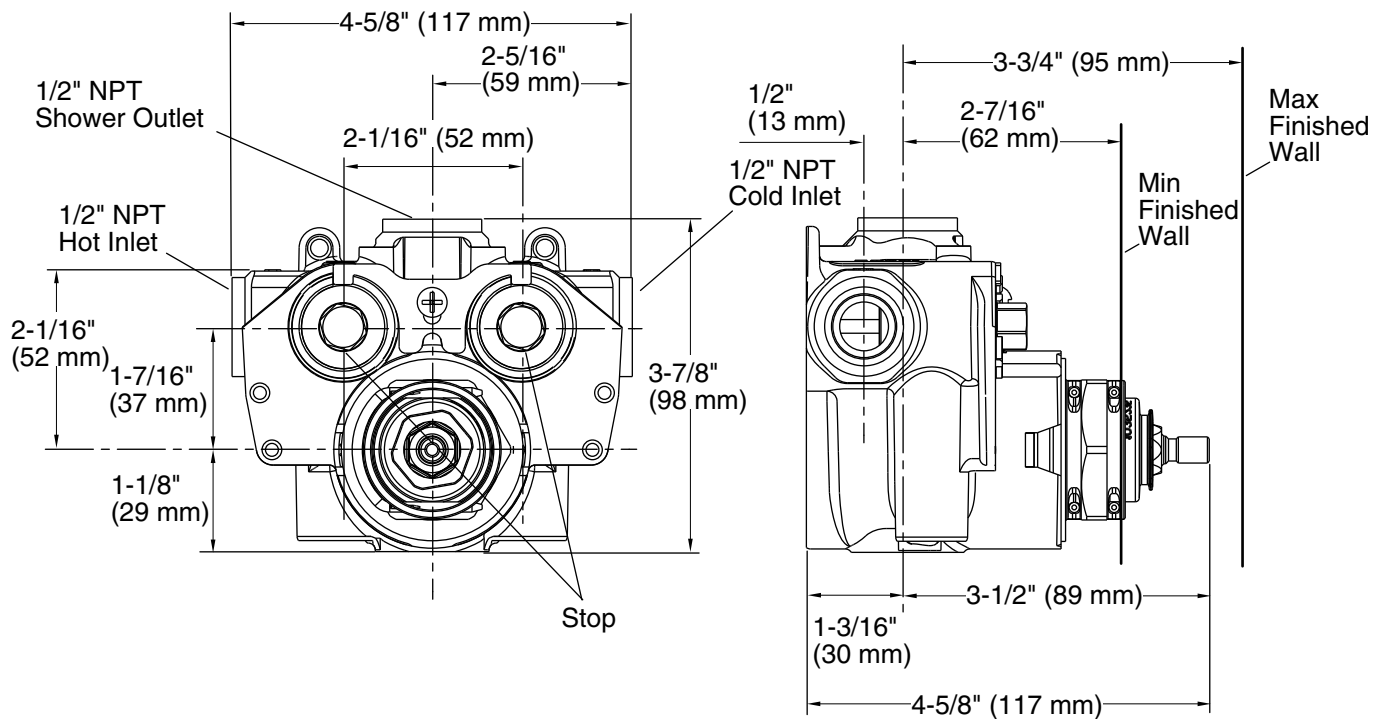
Installation Notes

Install this product according to the installation guide.

The K-2972-KS thermostatic mixer valve requires a separate volume control valve, K-2974-K, for each bath and/or shower outlet.

For bath-only installations, valve may be installed upside down.

For installations with a diverter spout, a twin ell, K-9663, is required between the valve and the spout. It is acceptable for the supply to the K-9663 twin ell to run from the top port through the volume control valve.



Product Diagram