



**8 Degree™**  
Under-mount Kitchen Sink  
**K-3673**

**Features**

- 36-inch minimum base cabinet width.
- 16-gauge stainless steel.
- Under-mount.
- Single bowl.
- Includes installation hardware.
- Includes wine glass rack and bottom bowl rack.
- 33" (838 mm) x 18" (457 mm).

**Optional Accessories**

- K-3140 Cutting Board
- K-8801 Sink Strainer

**Components**

Additional included component/s: Wine glass rack, bottom bowl rack, and hardware kit.

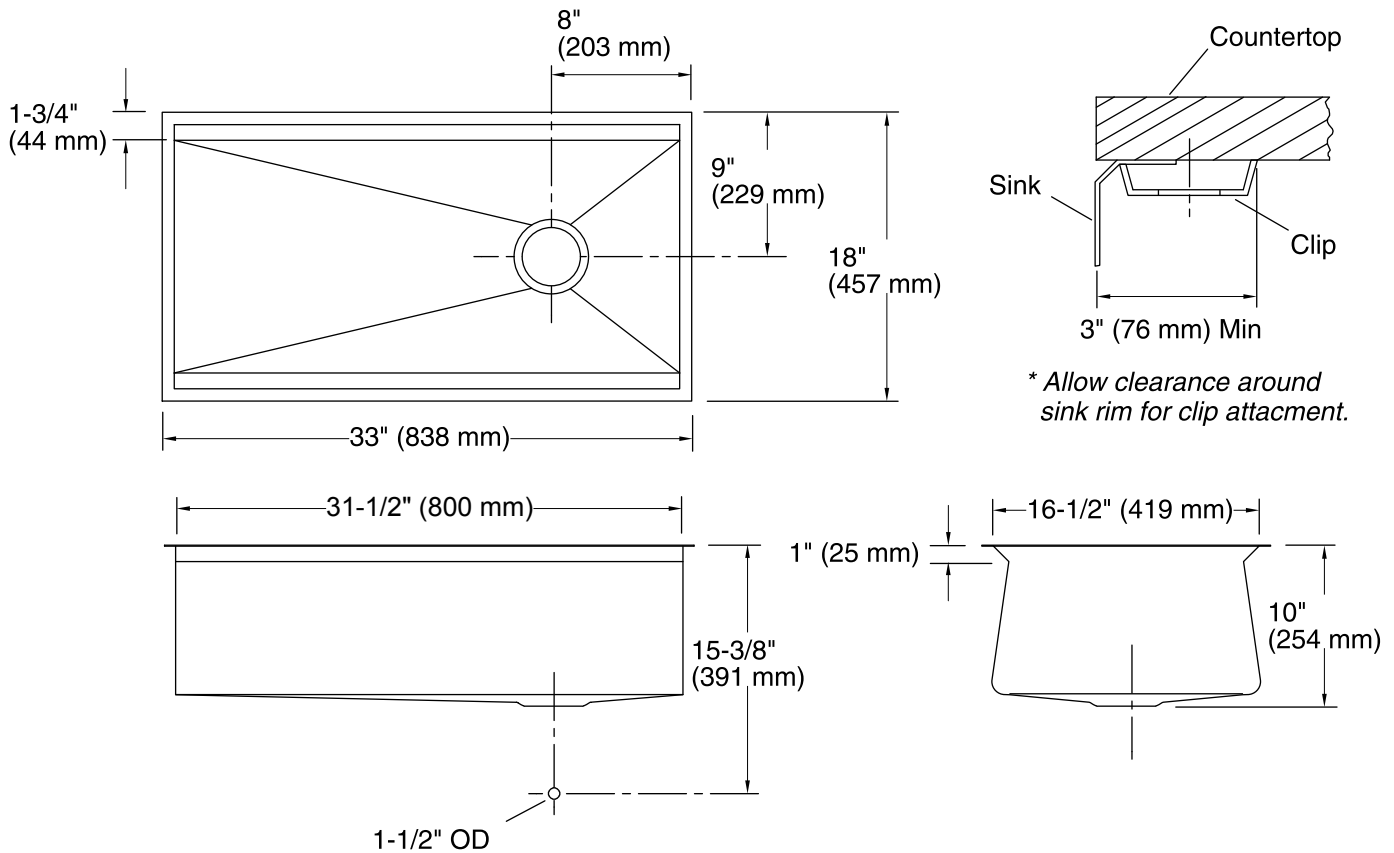


**Codes/Standards**

ASME A112.19.3/CSA B45.4

**Lifetime Limited Warranty for  
KOHLER® Stainless Steel Sinks**

See website for detailed warranty information.



### Technical Information

All product dimensions are nominal.

Bowl configuration:	Single
Installation:	Under-mount
Bowl area (Only)	Length: 31-1/2" (800 mm) Width: 16-1/2" (419 mm) Bowl depth: 9-3/4" (248 mm) Water depth: 9-3/4" (248 mm)
Drain hole:	3-5/8" (92 mm)
Template:	Under-mount, 1093327-7, required, included

### Notes

Install this product according to the installation guide.

Allow a minimum of 3" (76 mm) clearance around the sink rim for clip attachment.