

**INDUSTRIAL EXPOSED SHOWER
K-7258**

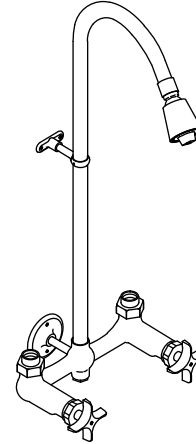
Features

- Brass construction
- Brass valve bodies
- Valvet® valves
- For 6" (152 mm) centers
- Rough plated body
- Galvanized riser
- Yoke reversible for either top or bottom supplies
- Includes four-arm handles, showerhead, and wall-mount brackets

Codes/Standards Applicable

Specified model meets or exceeds the following:

- ASME A112.18.1/CSA B125.1



Colors/Finishes

- RP: Rough Plate

Specified Model:

Model	Description	Colors/Finishes
K-7258	Industrial exposed shower	<input type="checkbox"/> RP

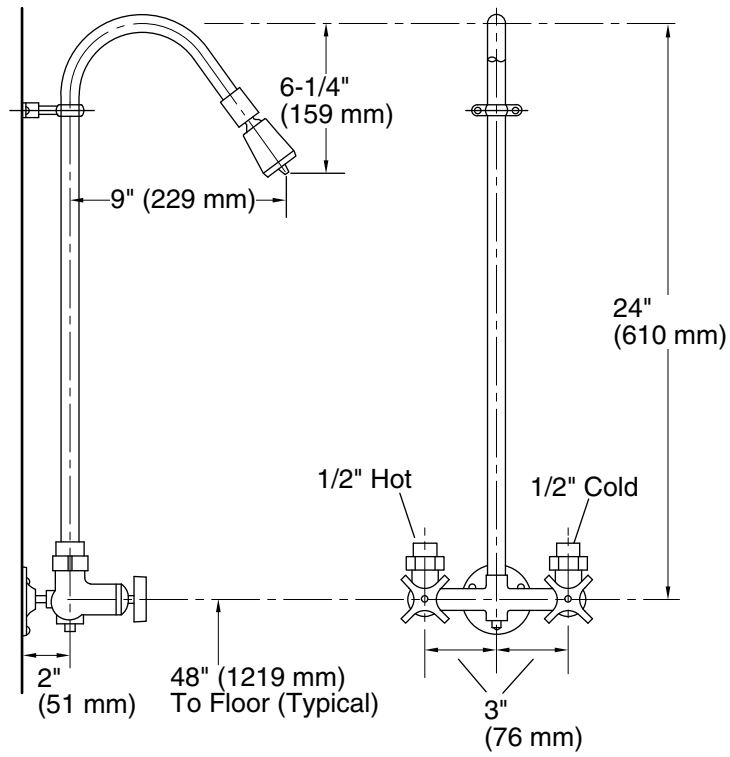
Product Specification

Two-handle industrial exposed shower shall be of brass construction. Faucet shall feature brass valve bodies. Faucet shall also feature Valvet valves. Product shall be for 6" (152 mm) centers. Product shall include showerhead, four-arm handles, wall-mount brackets, rough plated body, galvanized riser, and reversible yoke option for either top or bottom supplies. Faucet shall be Kohler Model K-7258-RP.

Installation Notes

Install this product according to the installation guide.

Yoke is reversible for either top or bottom supply.



Product Diagram