



# Antilia® Wading Pool®

Above-Counter Bathroom Sink  
K-2369

## Features

- Glass.
- Above-counter.
- Rectangular basin.
- Without overflow.
- No faucet holes; requires wall- or counter-mount faucet.
- 28-1/16" (713 mm) x 17-1/16" (433 mm) x 2-3/4" (70 mm)

## Required Accessories

K-7108 Decorative Drain

or

K-7107 Decorative drain

K-7129 Drain

## Components

Additional included component/s: Drain gasket kit, and installation mat.



ADA

## Codes/Standards

CSA B45.11/IAPMO Z401

ADA

ICC/ANSI A117.1


## KOHLER® One-Year Limited Warranty

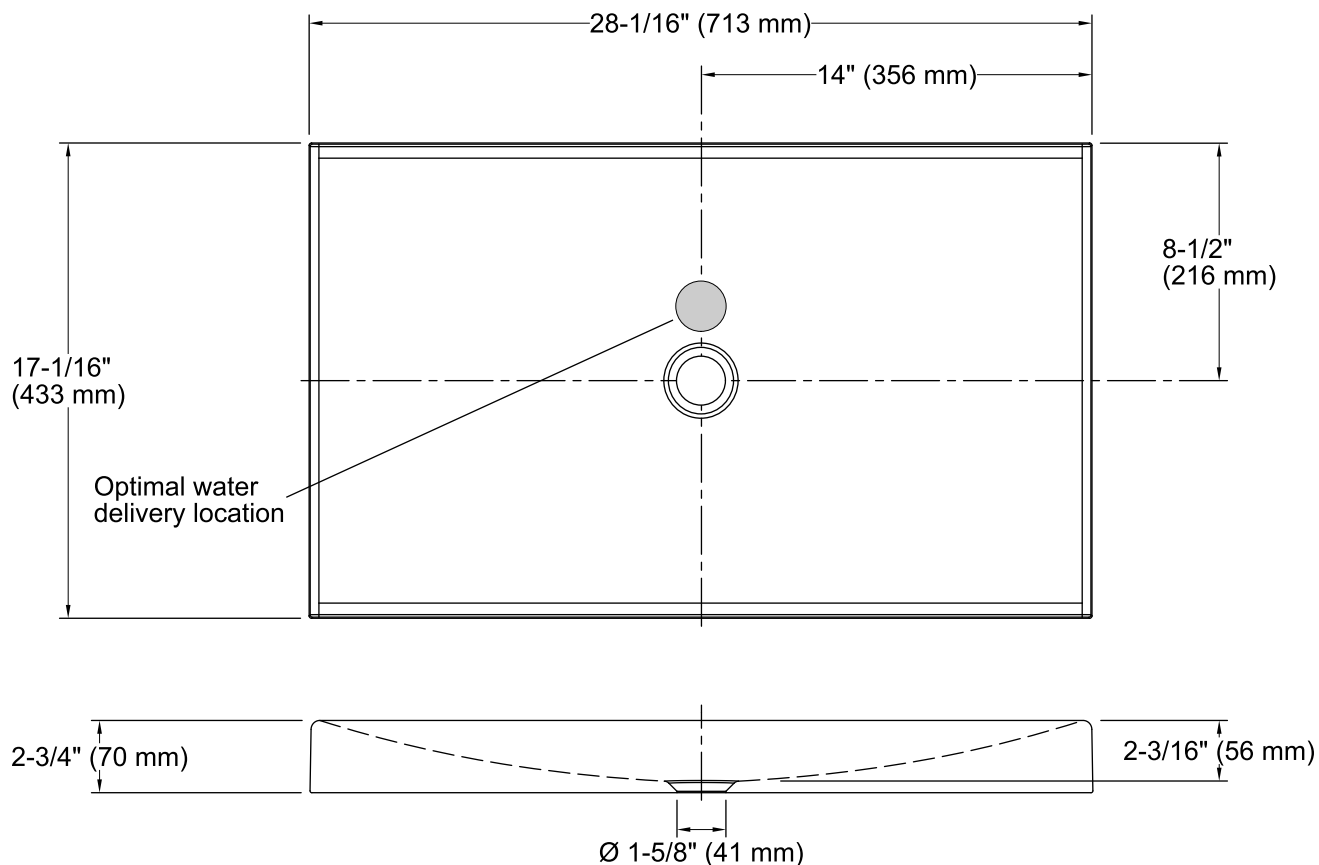
See website for detailed warranty information.

## Available Color/Finishes

*Color tiles intended for reference only.*

Color	Code	Description
-------	------	-------------

	B11	Ice
--	-----	-----



### Technical Information

All product dimensions are nominal.

Bowl configuration:	Single
Installation:	Above-counter
Bowl area (Only)	Length: 27-7/8" (708 mm) Width: 16-3/16" (411 mm) Water depth: 2-3/16" (56 mm)
Drain hole:	1-5/8" (41 mm)

### Notes

Install this product according to the installation guide.

Product does not have an overflow.

ADA compliant when installed to the specific requirements of these regulations.