

Features

- Brass construction
- Requires an AC power supply
- Single-hole mounting
- Above-counter valve for easy installation and maintenance
- Vandal resistant aerator
- 24" (610 mm) flexible supply hoses for easy installation
- 5-5/16" (135 mm) spout reach
- Stationary spout
- With temperature mixer
- Less drain
- 0.5 gal/min (1.9 l/min) flow rate

Required Accessories

Option 1
K-13480

or

Option 2
K-13481

Optional Accessories

K-7129-A Drain
K-7129 Drain
13478-B
13479-B
K-13601



ADA CSA B651 OBC

Codes/Standards

ASME A112.18.1/CSA B125.1
NSF 372
DOE - Energy Policy Act 1992
ADA
ICC/ANSI A117.1
CSA B651
OBC
All applicable US Federal and State material regulations



Kohler Electronic Faucets, Valves, and Controls - Five-Year Limited Warranty

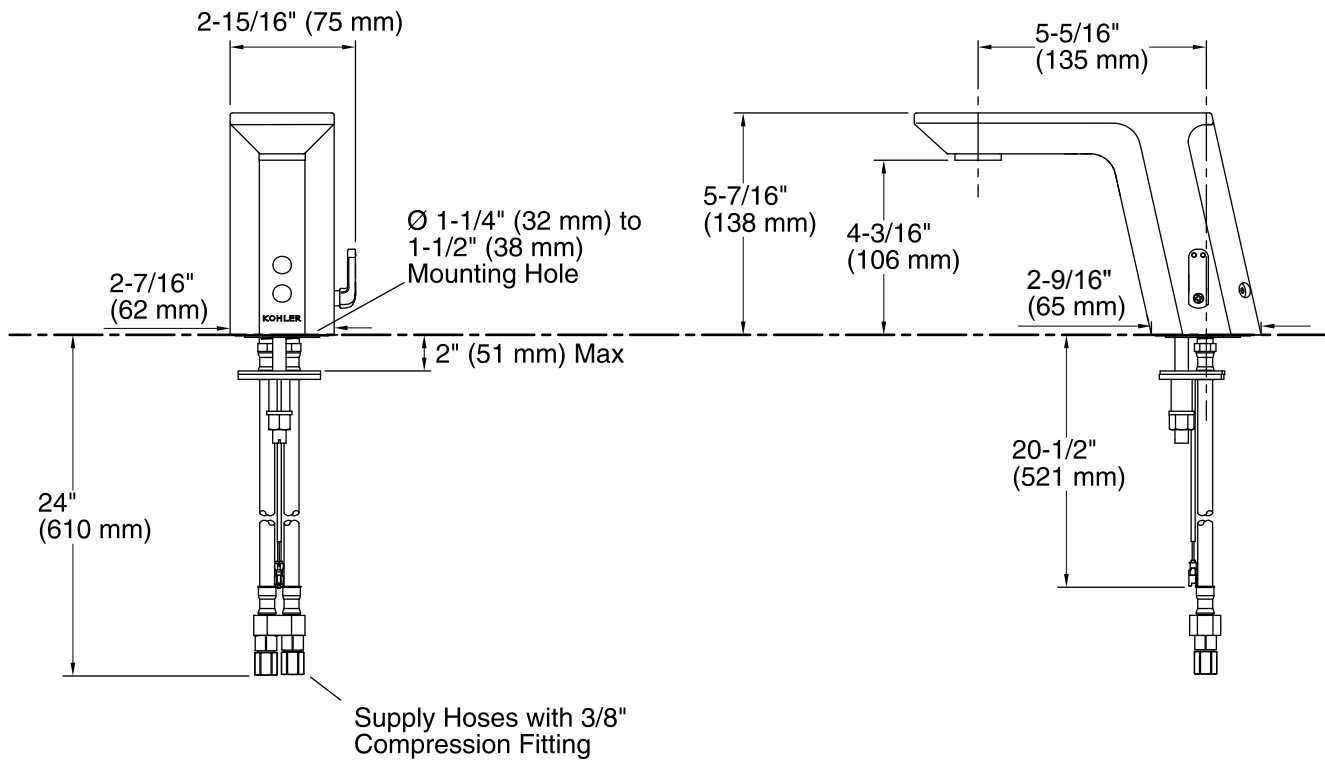
See website for detailed warranty information.

Available Color/Finishes

Color tiles intended for reference only.

| Color | Code | Description |
|-------|------|-------------|
|-------|------|-------------|

- | | | |
|--|----|--------------------|
|  | CP | Polished Chrome |
|  | VS | Vibrant® Stainless |



Technical Information

All product dimensions are nominal.

Valve body: Machined Brass
Spout reach: 5-5/16" (135 mm)

Faucet:

Flow rate: 0.5 gal/min (1.9 l/min)

Notes

Install this product according to the installation guide.

A 1-1/4" (32 mm) minimum to 1-1/2" (38 mm) maximum diameter mounting hole is required.

The minimum distance between the back of the faucet spout and the wall must be 1-3/4" (44 mm). This will allow proper clearance for setscrew access.

The maximum distance between the bathroom sink basin edge to the base of the faucet spout must be 1-3/4" (44 mm).

The maximum height of the lip basin should be 3/4" (19 mm).

Product includes rosebud spray aerator. Other aerator styles are available.

This product requires an AC power supply (not included).

ADA, OBC, CSA B651 compliant when installed to the specific requirements of these regulations.