

### Features

- Brass construction.
- 5" (127 mm) gooseneck spout.
- Rosespray aerator.
- Flange.
- External NPT connection.
- 2.5 gal/min (9.5 l/min) maximum flow rate [max at 60 psi (4.14 bar)].



### Codes/Standards

ASME A112.18.1/CSA B125.1

NSF 61

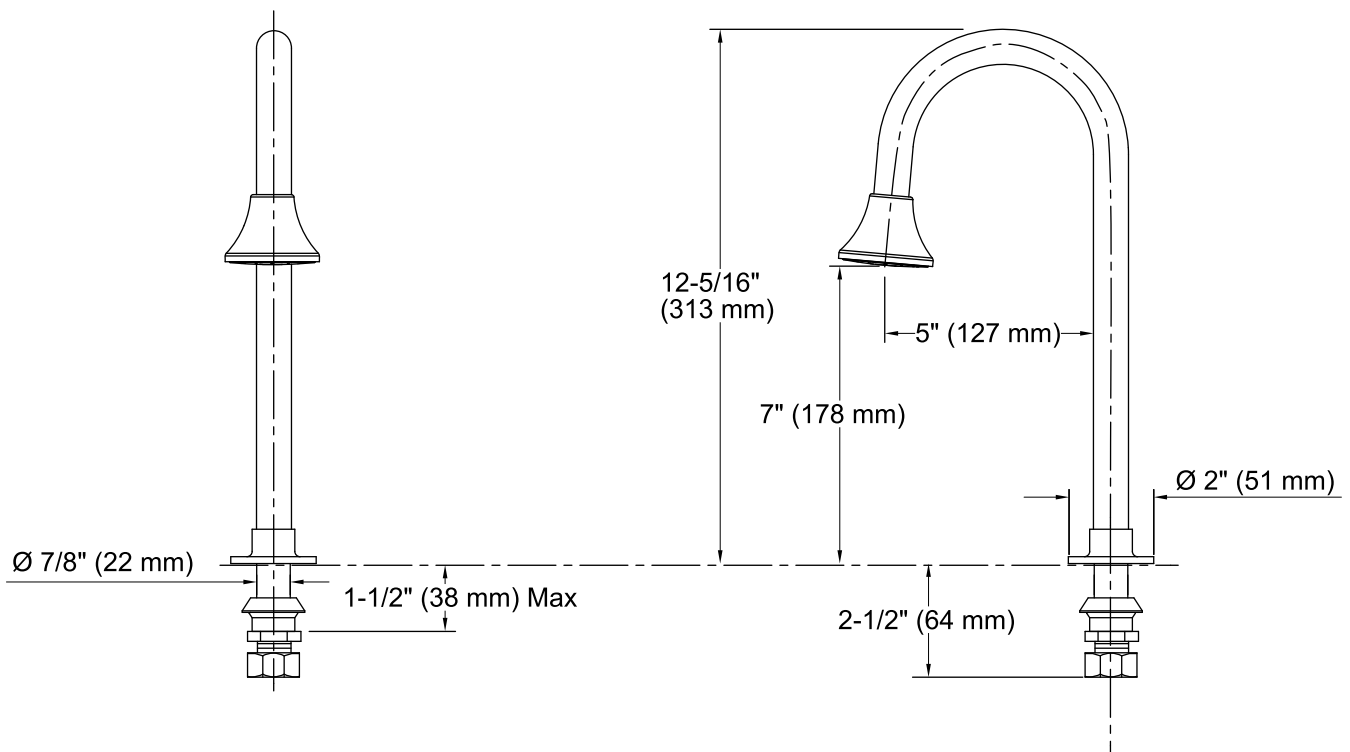
NSF 372

DOE - Energy Policy Act 1992

All applicable US Federal and State material regulations

### KOHLER® One-Year Limited Warranty

See website for detailed warranty information.



### Technical Information

All product dimensions are nominal.

Spout reach:  $5''$  (127 mm)

### Faucet:

Flow rate: 2.5 gal/min (9.5 l/min)

Pressure: 60 psi (4.1 bar)

### Notes

Install this product according to the installation guide.