

Features

- Brass construction
- Fixture-mount design
- Includes four 1.5 V AA batteries
- Electronic infrared sensor with TriPoint™ technology for accurate activation
- Intended for urinal installations with 1-1/4" spud coupling connection
- Retrofit model requires a control stop and vacuum breaker
- 1.0 gpf (3.8 lpf) flow rate
- Slow-closing piston technology

Codes/Standards Applicable

Specified model meets or exceeds the following:

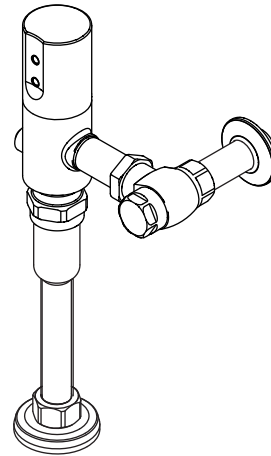
- ADA
- ICC/ANSI A117.1
- CSA B651
- OBC
- CSA B64
- ASME A112.18.1/CSA B125.1
- ASSE 1037
- FCC 47, Part 15
- EN 55022
- Canadian ICES-003 class B

EXPOSED FLUSHOMETER

K-10959

ALSO K-10964

ADA CSA B651 OBC



Colors/Finishes

- CP: Polished Chrome

Specified Model

| Model | Description | Colors/Finishes |
|---------|--|-----------------------------|
| K-10959 | Exposed flushometer – 1.0 gpf (3.8 lpf) with TriPoint™ technology, blowout | <input type="checkbox"/> CP |
| K-10964 | Exposed flushometer (retrofit) – 1.0 gpf (3.8 lpf) with TriPoint technology, blowout | <input type="checkbox"/> CP |

Product Specification

Exposed flushometer shall be made of brass construction. Flushometer shall feature electronic infrared sensor with TriPoint technology for accurate activation. Flushometer shall be of a fixture-mount design. Flushometer is intended for urinal installations with a 1-1/4" spud coupling connection, and retrofit model requires a control stop and vacuum breaker. Flushometer shall have a 1.0 gpf (3.8 lpf) flow rate and slow-closing piston technology. Flushometer includes four 1.5 V AA batteries. Exposed flushometer shall be Kohler Model K-_____-CP.

Technical Information

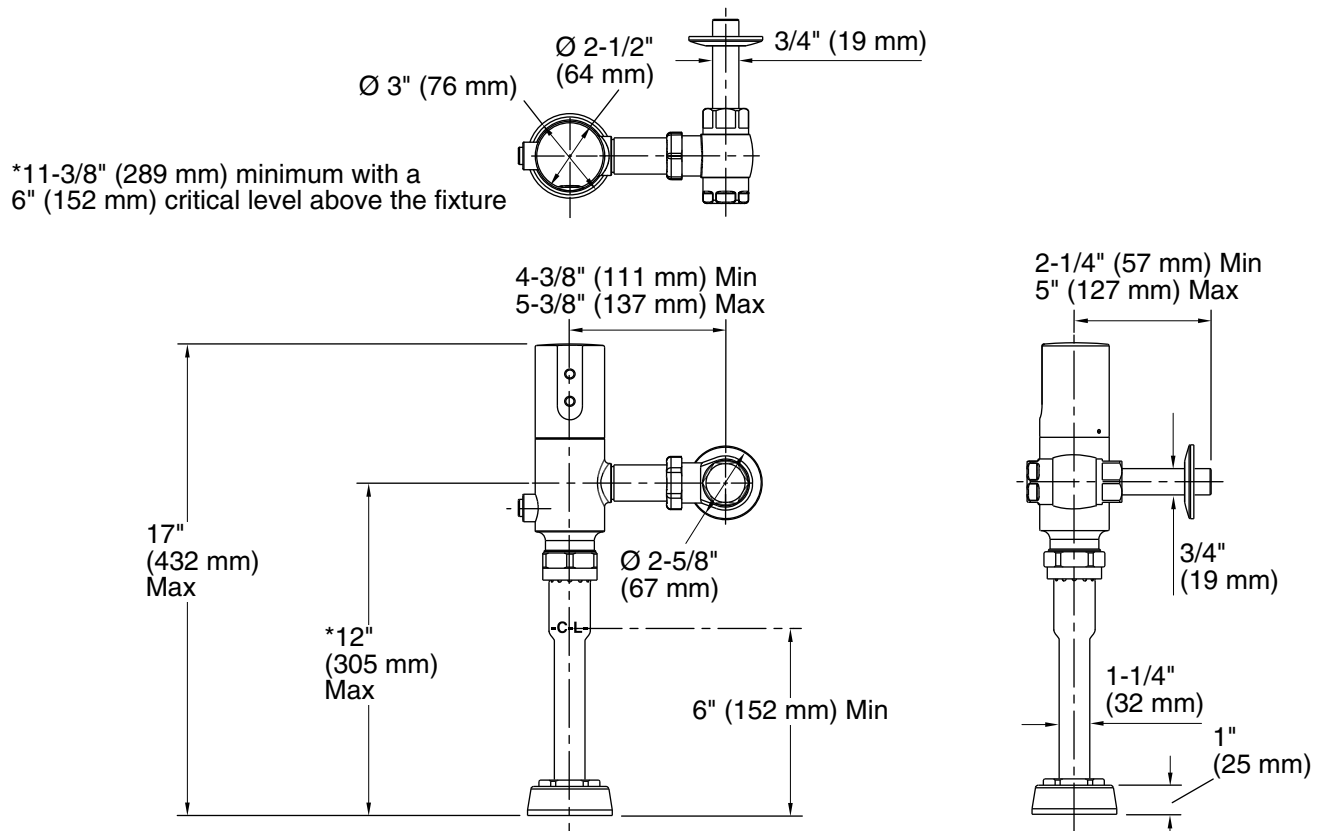
| |
|--|
| Recommended operating pressure: |
| 25 psi (172 kPa) flowing - 80 psi (552 kPa) static* |
| * Pressure over 80 psi (552 kPa) is not recommended on most plumbing fixtures. |

Installation Notes

Install this product according to the installation guide.

IMPORTANT! Maintain a 6" (152 mm) minimum critical level above the fixture.

ADA, CSA B651, OBC compliant when installed to the specific requirements of these regulations.



Product Diagram