

### Features

- Premium construction ensures durability and reliability
- 4-7/8" (124 mm) diverter spout with NPT connection
- Reversible 1/2" quarter-turn washerless ceramic disc valves
- Lever handles
- Includes showerhead with arm and flange

### Required Accessories

K-304-K



### Codes/Standards

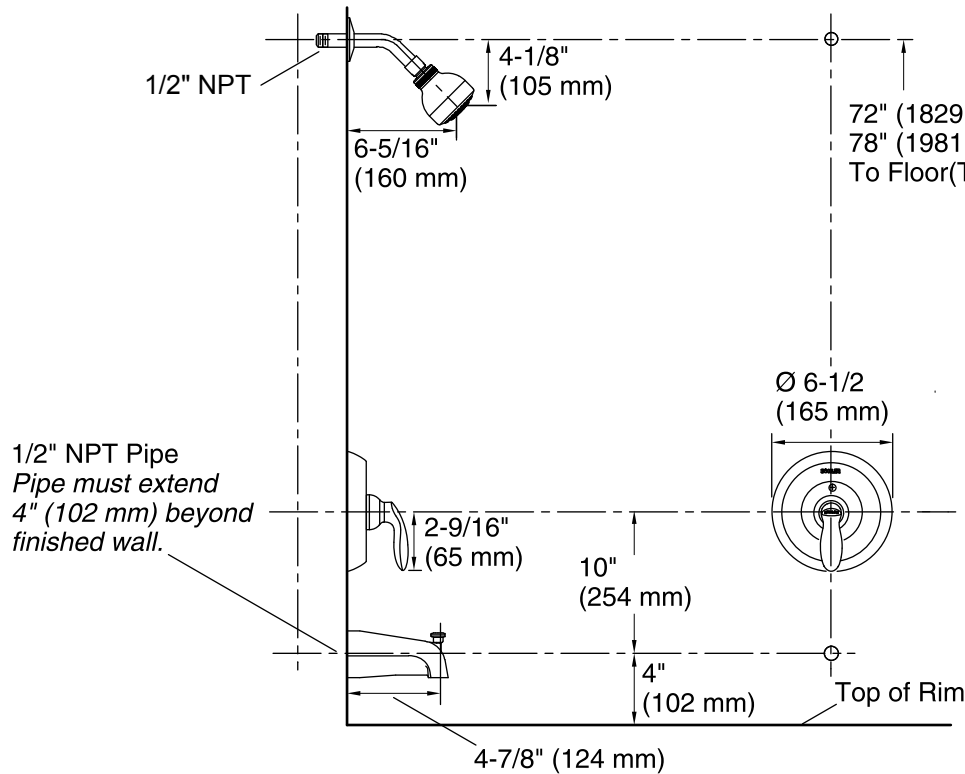
ASME A112.18.1/CSA B125.1

ASSE 1016

DOE - Energy Policy Act 1992

EPA WaterSense®

See website for detailed warranty information.



### Technical Information

All product dimensions are nominal.

#### Showerhead:

Flow rate: 2.5 gal/min (9.5 l/min)

Pressure: 80 psi (5.5 bar)

### Notes

Install this product according to the installation guide.

**NOTICE:** Risk of product damage. Long screws, for installing trim, can damage the K-2971-KS valve. Consult the trim installation guide to verify if the thin wall installation kit (88526) is needed.

Avoid cross-flow conditions. Do not install a shut-off device on either valve outlet.

Cap the shower outlet if deck-mount spout, diverter, or handshower is connected to the spout outlet.

Install straight pipe or tube drop of 7" (178 mm) to 18" (457 mm) with single elbow between the valve and wall-mount spout.