

## Features

- Premium material construction.
- Intended for use with Rite-Temp® or HiFlow Rite-Temp® valves.
- Sculpted lever handle.
- Includes 5-1/4" (133 mm) diverter bath spout with 1/2" NPT connection.

## Required Accessories

K-304-K Pressure-Balancing Valve Less Stops

**or**

K-304-KS Pressure-Balancing Valve With Stops

**or**

K-304-CS Pressure-Balancing Valve With Stops

**or**

K-304-CX Pressure-Balancing Valve Less Stops

**or**

K-304-PS Pressure-Balancing Valve With Stops

**or**

K-304-PX Pressure-Balancing Valve Less Stops

**or**

K-304-US Pressure-Balancing Valve With Stops

**or**

K-304-UX Pressure-Balancing Valve Less Stops

**or**

K-2971-KS 3/4" Pressure-balancing Valve



For complete listing of available colors, go to [kohler.com](http://kohler.com).

## Codes/Standards

ASME A112.18.1/CSA B125.1

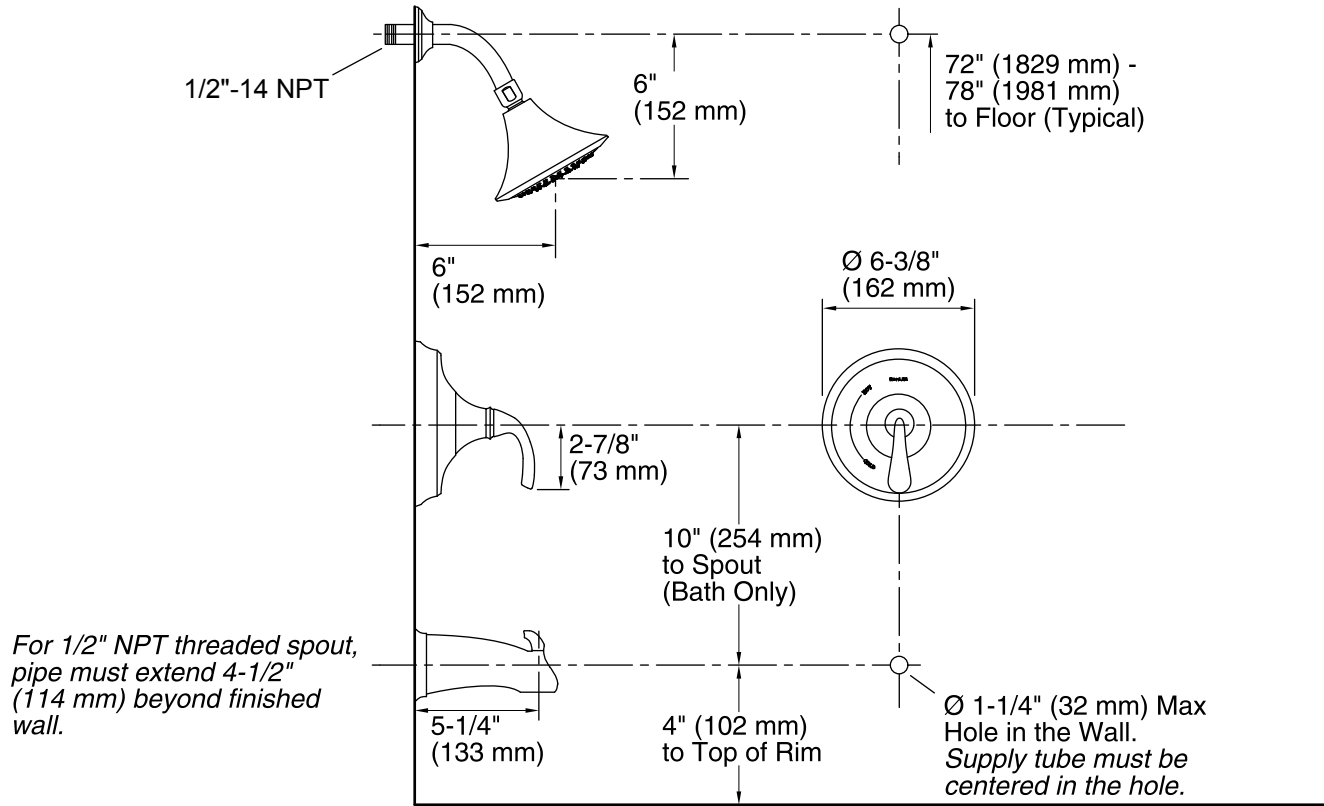
ASSE 1016

## KOHLER® Faucet Lifetime Limited Warranty

See website for detailed warranty information.

## Product Specification

Bath and shower trim shall be made of premium material construction. Bath and shower trim shall include 5-1/4" (133 mm) diverter bath spout with 1/2" NPT connection. Bath and shower trim shall be K-T10274-4.



**Technical Information**

All measurements are approximate only.

**Installation Notes**

NOTICE: Risk of product damage. Long screws, for installing trim, can damage the K-2971-KS valve. Consult the trim installation guide to verify if the thin wall installation kit (88526) is needed. Install this product according to the installation guide.

Install the Rite-Temp® valve according to the valve installation guide.

Avoid cross-flow conditions. Do not install a shut-off device on either valve outlet.

Cap the shower outlet if the deck-mounted spout, diverter, or handshower is connected to the spout outlet.

If installing a K-304 valve, install straight pipe or tube drop of 7" (178 mm) to 18" (457 mm) with single elbow between the valve and the wall-mount spout.