

Features

- Distinctive round spun-glass basin
- No faucet holes; requires wall- or counter-mount faucet
- Glass material provides a strong durable surface that is easy to clean yet visually distinctive
- Fits in or within a standard size countertop and works with a variety of faucet styles

Material

- Glass

Installation

- Under-mount

Required Accessories

K-7107 Decorative drain

or

K-7108 Decorative Drain

or

K-7129 Drain

Components

Additional included component/s: Hardware Kit - 52047, and Drain Gasket Kit - 1070246.



ADA

Codes/Standards

CSA B45.11/IAPMO Z401

CSA B45.5/IAPMO Z124

ADA

ICC/ANSI A117.1

KOHLER® One-Year Limited Warranty

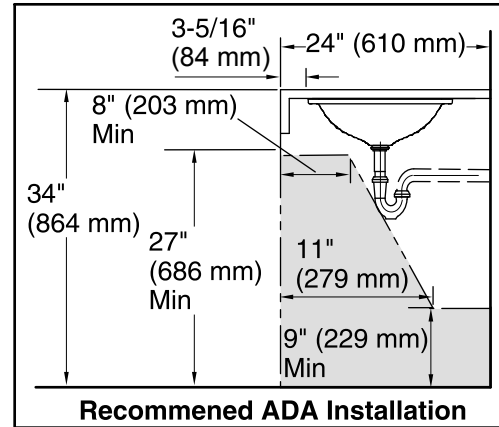
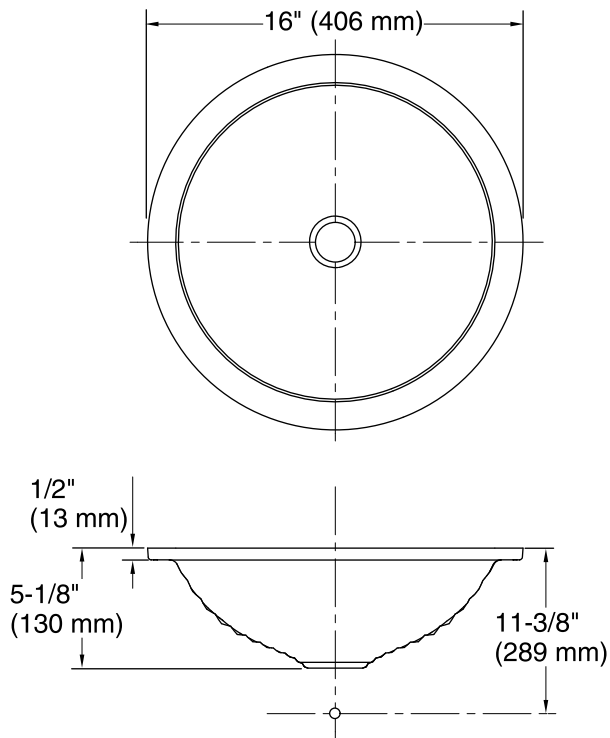
See website for detailed warranty information.

Available Color/Finishes

Color tiles intended for reference only.

Color	Code	Description
-------	------	-------------

- | | | |
|--|-----|-----|
|  | B11 | Ice |
| | TG1 | |
| | TG2 | |
| | TG3 | |



Technical Information

All product dimensions are nominal.

Bowl configuration:	Single
Installation:	Under-mount
Bowl area (Only)	Diameter: 13-5/8" (346 mm) Bowl depth: 4-1/4" (108 mm) Water depth: 4-1/4" (108 mm)
Template:	Under-mount, 1035896-7, required, included

Notes

Install this product according to the installation guide.

NOTICE: Countertop manufacturer or cutter must use the cut-out template provided with the product, or a current one provided by Kohler Co. (call 1-800-4-KOHLER). Kohler Co. is not responsible for cutout errors when the incorrect cut-out template is used.

ADA compliant when installed to the specific requirements of these regulations.