

# Homeowners Guide

## Steam Generator and Control Kit

K-1695, K-1696, K-1697,  
K-1708, K-1713, K-1714,  
K-1715, K-1716, K-1733,  
K-1734, K-1737, K-1838

**M** product numbers are for Mexico (i.e. K-12345**M**)  
Los números de productos seguidos de **M** corresponden a México  
(Ej. K-12345**M**)  
Français, page "Français-1"  
Español, página "Español-1"

THE BOLD LOOK  
OF **KOHLER**®

## Important Safety Information

**IMPORTANT!** When using this unit, basic precautions should always be followed.



**WARNING: Risk of personal injury.** If you become uncomfortable while taking a steam bath, you should turn off the steam, cool off with the shower, open the door, or exit the unit.



**WARNING: Risk of personal injury.** A steam bath can put undue stress on the body, as does any hot bath, shower, or sauna. Therefore, the steam bath may not be suitable for use if you are pregnant, have a heart condition, have high blood pressure, have circulatory problems, are under the influence of alcohol, are taking drugs or are under the care of a physician.



**WARNING: Risk of personal injury. DO NOT** consume alcoholic beverages or take medications or drugs prior to or when using the steam bath. Alcohol and drugs affect mental judgement and inhibit bodily functions such as heartbeat and respiration, resulting in potentially dangerous effects.



**WARNING: Risk of injury to children.** Do not allow children to use this unit unless they are closely supervised at all times. The steam generator is not designed to be used by children.

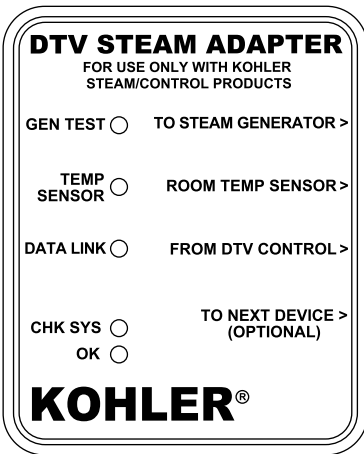


**WARNING: Risk of scalding.** Do not touch the steam head during operation. The steam head is hot during operation.



**WARNING: Risk of personal injury or property damage.** Avoid coming in contact with the water tank and/or steam discharge line while the generator is operating or shortly after shutdown. Wear eye protection and protective clothing when servicing the steam generator. The steam generator operates at high temperatures, which may result in personal injury or property damage.

**NOTICE:** Use this unit only for its intended use as denoted in this manual. **DO NOT** use attachments not recommended by Kohler Co.



## Operating Your Steam Generator

**NOTE:** Refer to the instructions packed with your digital user interface and media module.

### Normal Operation

- "GEN TEST" LED is blinking green once every second (one second ON and one second OFF).
- "TEMP SENSOR" LED is blinking green once every second (one second ON and one second OFF).
- "DATA LINK" LED is blinking green once every second (one second ON and one second OFF).

### Abnormal Operation (see the Troubleshooting Procedures for more information)

- "GEN TEST" LED is OFF, ON flashing red, ON solid green, or ON solid red.
- "TEMP SENSOR" LED is OFF, ON flashing red, ON solid green, or ON solid red.
- "DATA LINK" LED is OFF, ON flashing red, ON solid green, or ON solid red.

### The Power Clean Function



**WARNING: Risk of personal injury.** Stay out of the showering area when the power clean function is activated.

**NOTICE:** Users will be automatically reminded to use power clean after 600 minutes of steam generator use. The steam generator may be run three times before the power clean function must be run. Failure to initiate power clean after the third reminder will result in the system locking. Power clean must then be run in order to resume steam operation.

**NOTE:** When the power clean function is activated, water will typically discharge from the steam head.

## Care and Cleaning

For best results, keep the following in mind when caring for your KOHLER product:

- Always test your cleaning solution on an inconspicuous area before applying to the entire surface.
- Wipe surfaces clean and rinse completely with water immediately after applying cleaner. Rinse and dry any overspray that lands on nearby surfaces.
- Do not allow cleaners to soak on surfaces.
- Use a soft, dampened sponge or cloth. Never use an abrasive material such as a brush or scouring pad to clean surfaces.

For detailed cleaning information and products to consider, visit [www.kohler.com/clean](http://www.kohler.com/clean). To order Care & Cleaning information, call 1-800-456-4537.

## Warranty

### KOHLER Steam Generator THREE-YEAR LIMITED WARRANTY

Kohler steam generator units manufactured after September 15, 2001, are warranted to the original consumer purchaser to be free of manufacturing defects in material and workmanship during normal residential usage for three (3) years from the date of installation. This warranty only applies to KOHLER steam generator units installed in the United States of America, Canada or Mexico ("North America").

If a defect is found in normal residential usage, Kohler Co. will, at its election, repair or replace the unit, or make appropriate adjustment. Damage caused by accident, misuse or abuse is not covered by this warranty. Proof of purchase (original sales receipt) must be provided to Kohler Co. with all warranty claims. Kohler Co. is not responsible for labor charges, removal charges, installation, or other consequential costs. In no event shall the liability of Kohler Co. exceed the purchase price of the unit.

If this unit is used commercially or installed outside of North America, Kohler Co. warrants the unit to be free from defects in material and workmanship for one (1) year from the date of installation with all other terms of this warranty applying except duration.

To obtain warranty service contact Kohler Co., either through your Dealer, Plumbing Contractor, Home Center or E-tailer or by writing Kohler Co., Attn: Customer Care Center, 444 Highland Drive, Kohler, WI 53044, USA, or by calling 1-800-4-KOHLER (1-800-456-4537) from within the USA and Canada, and 001-800-456-4537 from within Mexico, or visit [www.kohler.com](http://www.kohler.com) within the USA, [www.ca.kohler.com](http://www.ca.kohler.com) from within Canada, or [www.mx.kohler.com](http://www.mx.kohler.com) in Mexico.

**KOHLER CO. AND/OR SELLER ARE PROVIDING THESE WARRANTIES IN LIEU OF ALL OTHER WARRANTIES, EXPRESSED OR IMPLIED, INCLUDING BUT NOT LIMITED TO THE IMPLIED WARRANTIES OF MERCHANTABILITY AND FITNESS FOR A PARTICULAR PURPOSE. KOHLER CO. AND/OR SELLER DISCLAIM ANY LIABILITY FOR SPECIAL, INCIDENTAL OR CONSEQUENTIAL DAMAGES. Some states/provinces do not allow limitations on how long an implied warranty lasts, or the exclusion or limitation of special, incidental or consequential damages, so these limitations and exclusions may not apply to you. This warranty gives you specific legal rights. You may also have other rights, which vary from state/providence to state/providence.**

This is Kohler Co.'s exclusive written warranty.

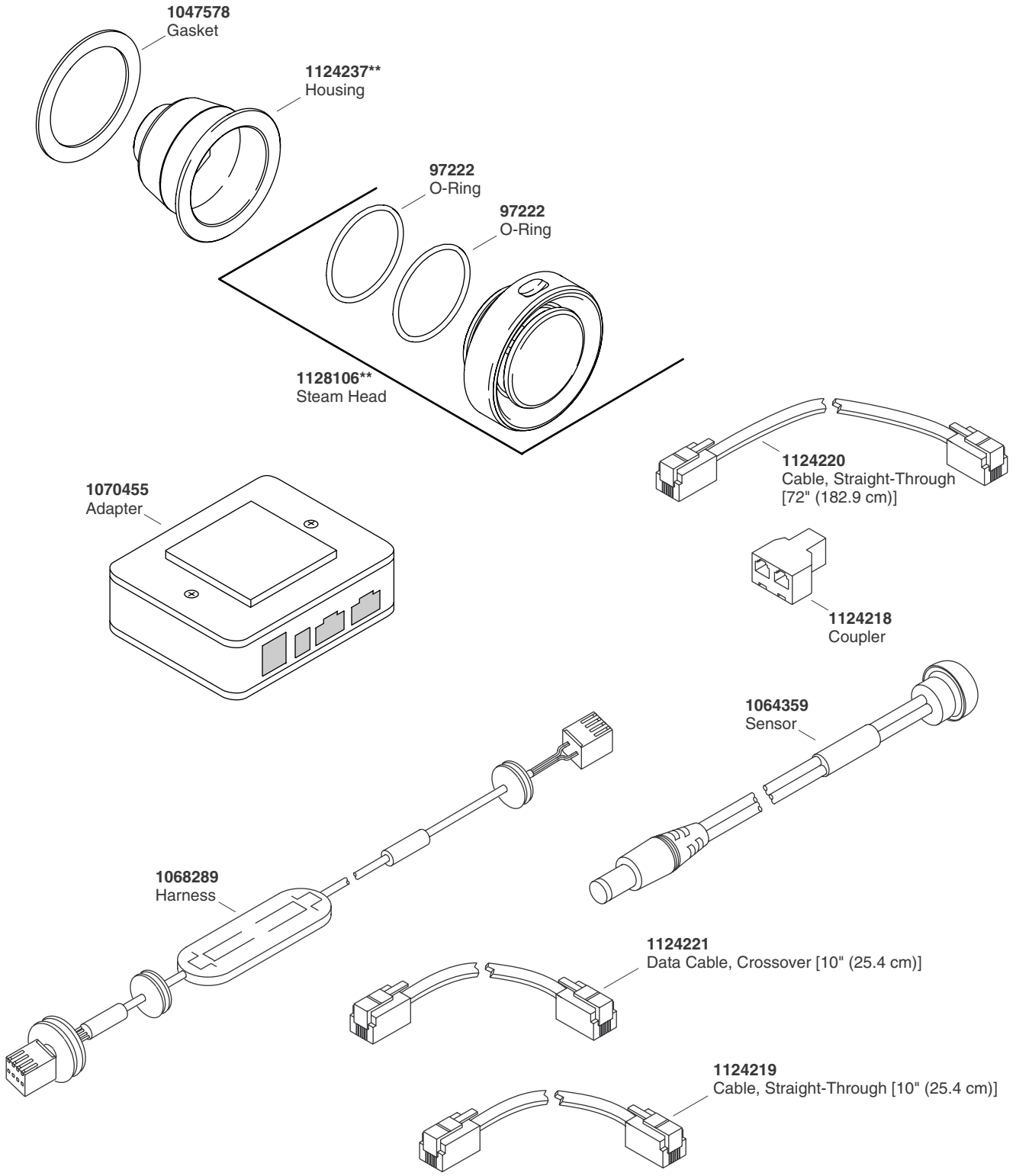
## Troubleshooting

This troubleshooting guide is for general aid only. For service and installation issues and concerns, call 1-800-4-KOHLER.

Symptoms	Probable Causes	Recommended Action
1. Error 0140 is displayed.	A. Tank water level is too low (green status light on generator is on).	A. Inspect the water inlet screen and clean if necessary. Ensure the water supply valve is on and that water is being supplied to the generator.
	B. Tank temperature limit has been exceeded (green status light on generator is off).	B. Call the Customer Care Center using the information provided on the back page of this manual.
	C. Internal generator components are not functioning properly.	C. Call the Customer Care Center using the information provided on the back page of this manual.
2. Error 0120 is displayed.	A. The temperature in the steam room has exceeded the maximum allowable level.	A1. Reset power to the generator and ventilate the steam room to remove excess heat.
		A2. Relocate the temperature sensor away from steamhead or other heat source.
		A3. Call the Customer Care Center using the information provided on the back page of this manual.

<b>Troubleshooting (cont.)</b>		
<b>Symptoms</b>	<b>Probable Causes</b>	<b>Recommended Action</b>
3. Error 0104 is displayed.	A. Temperature sensor not connected.	A. Connect the temperature sensor.
	B. Temperature sensor is damaged.	B. Call the Customer Care Center using the information provided on the back page of this manual.
4. Error 0408 is displayed.	A. A communication error has occurred.	A. Perform a system reset on the user interface.
5. Lights on the adapter are off.	A. Inadequate power is supplied to the generator (green status light on generator is off).	A. Provide proper power to the generator. If necessary use the provided test kit to ensure the generator is working properly.
	B. The user interface is not receiving power from the generator (green status light on the generator is on).	B. Use the provided test kit and instructions to identify the source of the problem.
	C. The user interface is damaged (green status light on the generator is on).	C. Call the Customer Care Center using the information provided on the back page of this manual.
6. "GEN TEST" light is blinking red.	A. An error has occurred with the steam generator.	A. Check the error code on the user interface. See the corresponding error code in this document.
7. "TEMP SENSOR" light is blinking red.	A. The temperature sensor is not connected.	A. Connect the temperature sensor.
	B. The temperature sensor is damaged.	B. Call the Customer Care Center using the information provided on the back page of this manual.
8. "DATA LINK" light is blinking red.	A. A connection to the media module has not yet been established.	A. Wait for the connection to be made.
	B. A connection to the media module cannot be established.	B. Remove and reattach the cable that connects the adapter to the media module. Inspect cable for damage and replace if necessary.
	C. An error has occurred.	C1. Check the error code on the user interface. See the corresponding error code in this document. C2. Reset power to the generator and media module. C3. Perform a system reset on the user interface.
9. Steam menu disappears after requesting steam.	A. Cables between the generator(s) and adapter are installed incorrectly.	A1. Reinstall the black and/or silver cable(s) between the steam generator(s) and adapter per the instructions in the installation guide.
		A2. Call the Customer Care Center using the information provided on the back page of this manual.
10. Display does not show steam function.	A. Inadequate power is supplied to the generator (green status light on generator is off).	A1. Provide proper power to the generator. Use the provided test kit, if necessary, to ensure the generator is working properly.
		A2. Call the Customer Care Center using the information provided on the back page of this manual.

<b>Troubleshooting (cont.)</b>		
<b>Symptoms</b>	<b>Probable Causes</b>	<b>Recommended Action</b>
	<b>B.</b> The adaptor is damaged (green status light on generator is on).	<b>B1.</b> Use the provided test kit and instructions to identify the source of the problem. <b>B2.</b> Call the Customer Care Center using the information provided on the back page of this manual.
<b>11.</b> Water from steam head.	<b>A.</b> Normal operation.	<b>A1.</b> A small amount of water discharged from the steamhead just before, during, and just after steam use is normal. <b>A2.</b> Water discharge from the steam head during the Power Clean cycle is normal.
	<b>B.</b> Water supply lines are connected incorrectly.	<b>B.</b> Review the generator installation guide and reinstall the lines at the proper locations.
	<b>C.</b> Internal generator components are not functioning properly.	<b>C.</b> Turn off water supply to the generator. If possible, drain the tank. Slowly open the water supply valve to refill the generator.
		<b>C2.</b> Call the Customer Care Center using the information provided on the back page of this manual.
<b>12.</b> No steam after 5 minutes of pressing power.	<b>A.</b> An error has occurred.	<b>A.</b> Check the User Interface for error messages. If an error message appears, see the appropriate error message troubleshooting.
	<b>B.</b> The temperature setpoint has already been reached.	<b>B.</b> Confirm the temperature setpoint is greater than the current steam room temperature. Increase the temperature setpoint if desired.
	<b>C.</b> Inadequate power is supplied to the generator (green status light on generator is off).	<b>C1.</b> Provide proper power to the generator. If necessary use the provided test kit to ensure the generator is working properly.
		<b>C2.</b> Call the Customer Care Center using the information provided on the back page of this manual.
	<b>D.</b> Cables between the generator(s) and adapter are installed incorrectly.	<b>D.</b> Reinstall the black and/or silver cable(s) between the steam generator(s) and adapter per the instructions in the installation guide.
	<b>E.</b> Steam line or steam head is blocked.	<b>E.</b> Check the steam head and steam line for blockages. Repair as necessary.
<b>F.</b> Generator is damaged.	<b>F1.</b> Use the provided test kit to check generator function.	
	<b>F2.</b> Call the Customer Care Center using the information provided on the back page of this manual.	
<b>13.</b> Steam stopped.	<b>A.</b> An error has occurred.	<b>A.</b> Check the User Interface for error messages. If an error message appears, see the appropriate error message troubleshooting.
	<b>B.</b> The session time limit was met or the temperature setpoint was met.	<b>B.</b> Restart the session timer or increase the temperature setpoint to restart steam.



**\*\*Finish/color code must be specified when ordering**

## Service Parts

# Guide du propriétaire

## Générateur de vapeur et kit de contrôle

### Information importante de sécurité

**IMPORTANT!** Des précautions de base devraient toujours être observées lors de l'utilisation de cette unité.



**AVERTISSEMENT: Risque de blessures corporelles.** Si un malaise survient lors du bain de vapeur, arrêter la vapeur, se refroidir, ouvrir la porte ou sortir de l'unité.



**AVERTISSEMENT: Risque de blessures corporelles.** Le bain de vapeur peut infliger de la fatigue au corps, de même façon que tout bain chaud, douche, ou sauna. Par conséquent, le bain de vapeur n'est pas conseillé aux femmes enceintes, aux personnes souffrant de maladies cardiaques, d'hypertension, de problèmes de circulation, ou sous l'emprise d'alcool, de drogues ou sous traitement médical.



**AVERTISSEMENT: Risque de blessures corporelles. NE PAS** consommer d'alcool ou de médicaments ni de drogues, avant ou pendant l'utilisation du bain de vapeur. L'alcool et les drogues peuvent affecter les facultés mentales et inhiber certaines fonctions corporelles telles que le battement de coeur et la respiration, entraînant des effets potentiellement dangereux.



**AVERTISSEMENT: Risque de blessure aux enfants.** Ne pas permettre aux enfants d'utiliser l'unité sans surveillance à tout moment. Le générateur de vapeur n'est pas conçu pour les enfants.



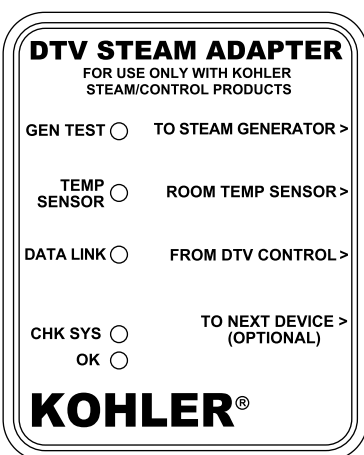
**AVERTISSEMENT: Risque de brûlures.** Ne pas toucher la tête de vapeur pendant le fonctionnement. La tête de vapeur est chaude durant l'opération.



**AVERTISSEMENT: Risque de blessures ou d'endommagement du produit.** Éviter de toucher le réservoir d'eau et/ou le tuyau d'évacuation de vapeur pendant l'opération du générateur ou juste après son arrêt. Utiliser des lunettes et des vêtements de protection pendant l'entretien du générateur de vapeur. Le générateur de vapeur opère à hautes températures, ce qui pourrait résulter en blessures ou endommagement de propriété.

**AVIS:** N'utiliser cette unité que pour l'usage destiné tel qu'indiqué dans ce manuel. **NE PAS** utiliser des dispositifs de fixation non recommandés par la Kohler Co.





## Opérer le générateur de vapeur

**REMARQUE:** Se référer aux instructions emballées avec l'interface digitale de l'utilisateur et le module média.

### Opération normale

- LED "GEN TEST" LED clignote en vert une fois par seconde (une seconde en MARCHÉ et une seconde en ARRÊT).
- LED "TEMP SENSOR" clignote en vert une fois par seconde (une seconde en MARCHÉ et une seconde en ARRÊT).
- LED "DATA LINK" clignote en vert une fois par seconde (une seconde en MARCHÉ et une seconde en ARRÊT).

### Opération anormale (voir les procédures de dépannage pour plus d'information)

- LED "GEN TEST" LED est en ARRÊT, MARCHÉ clignote en rouge, MARCHÉ clignote en vert, ou MARCHÉ en rouge.
- LED "TEMP SENSOR" est en ARRÊT, MARCHÉ clignote en rouge, MARCHÉ clignote en vert, ou MARCHÉ en rouge.
- LED "DATA LINK" est en ARRÊT, MARCHÉ clignote en rouge, MARCHÉ en vert, ou MARCHÉ en rouge.

### La fonction nettoyage pression



**AVERTISSEMENT: Risque de blessures corporelles.** Demeurer hors de l'espace de douche lorsque la fonction de nettoyage pression est activée.

**AVIS:** Les utilisateurs seront automatiquement rappelés d'utiliser le nettoyage pression après 600 minutes d'utilisation du générateur de vapeur. Le générateur de vapeur pourrait être mis en fonction trois fois avant la fonction de nettoyage pression. Ne pas démarrer le nettoyage sous pression après le troisième rappel résultera en verrouillage du système. Le nettoyage sous pression doit être en fonction pour continuer l'opération de vapeur.

**REMARQUE:** Lorsque le nettoyage pression est activé, il y aura typiquement une décharge d'eau de la tête du générateur de vapeur.

## Entretien et nettoyage

Pour de meilleurs résultats, prendre ce qui suit en considération lors de l'entretien de votre produit KOHLER:

- Toujours tester la solution de nettoyage sur une surface non visible avant de l'appliquer sur l'ensemble de la surface.
- Essuyer les surfaces et rincer complètement avec de l'eau immédiatement après l'application du nettoyant. Rincer et sécher tout éclaboussement sur les surfaces avoisinantes.
- Ne pas laisser les nettoyants sur les surfaces.
- Utiliser une éponge ou un chiffon doux et humide. Ne jamais utiliser de matériau abrasif tel qu'une brosse ou une éponge à récurer pour nettoyer les surfaces.

Pour des informations détaillées sur le nettoyage et les produits à considérer, consulter le site [www.kohler.com/clean](http://www.kohler.com/clean). Pour commander des informations d'entretien et de nettoyage, appeler le 1-800-456-4537.

## Garantie

### Générateur de vapeur KOHLER GARANTIE LIMITÉE DE TROIS ANS

Les unités de générateur de vapeur Kohler fabriqués après le 15 Septembre 2001, sont garantis au consommateur acquéreur original être sans défaut de matériel et de fabrication durant une utilisation résidentielle normale pendant trois (3) ans à partir de la date d'installation. Cette garantie s'applique uniquement aux générateurs de vapeur KOHLER installés aux États-Unis, au Canada ou au Mexique ("Amérique du Nord").

Si un défaut est décelé en cours d'usage normal domestique, Kohler Co. décidera, à son choix, de réparer ou de remplacer l'unité ou d'effectuer les réglages appropriés. Un endommagement causé par un accident, mauvais usage ou mauvais traitement n'est pas couvert par cette garantie. Une preuve d'achat (ticket de caisse original) doit être présentée à Kohler Co. avec tous les recours en garantie. Kohler Co. n'est pas responsable des coûts de main-d'oeuvre, de démontage, d'installation ou d'autres frais qui en découlent. La responsabilité de Kohler Co. n'excédera en aucun cas le prix d'achat de l'unité.

Si cet appareil est utilisé dans un commerce ou est installé hors d'Amérique du Nord, Kohler Co. garantit l'unité contre tout défaut de matériel et de fabrication pendant un (1) an à partir de la date d'installation, et respecte tous les autres termes de la présente garantie, à l'exception de la durée.

Pour obtenir un service-garantie, contacter Kohler Co. par l'intermédiaire de votre vendeur, plombier, centre de rénovation, revendeur par Internet ou par écrit à Kohler Co. à l'attention de: Customer Care Center, 444 Highland Drive, Kohler, WI 53044, États-Unis, ou appeler le 1-800-4-KOHLER (1-800-456-4537) des États-Unis et du Canada, et le 001-800-456-4537 du Mexique, ou consulter le site [www.kohler.com](http://www.kohler.com) aux États-Unis, [www.ca.kohler.com](http://www.ca.kohler.com) au Canada ou [www.mx.kohler.com](http://www.mx.kohler.com) au Mexique.

**KOHLER CO. ET/OU LE REVENDEUR FOURNISSENT CES GARANTIES AU LIEU DE TOUTES AUTRES GARANTIES, EXPRESSES OU TACITES, Y COMPRIS LES GARANTIES IMPLICITES MARCHANDES ET D'APTITUDE À UN EMPLOI PARTICULIER. KOHLER CO. ET/OU LE REVENDEUR DÉCLINENT TOUTE RESPONSABILITÉ CONTRE LES DOMMAGES PARTICULIERS, IMPRÉVUS OU DE CIRCONSTANCE. Certains états/provinces ne permettent pas la limitation sur la durée de la garantie implicite, ou l'exclusion ou la limitation de dommages spéciaux, accessoires ou indirects, et, par conséquent, ces limitations et exclusions pourraient ne pas s'appliquer dans votre cas. Cette garantie vous donne des droits légaux spécifiques. Vous pouvez également avoir d'autres droits qui varient d'un état/d'une province à l'autre.**

Ceci constitue la garantie écrite exclusive de Kohler Co.

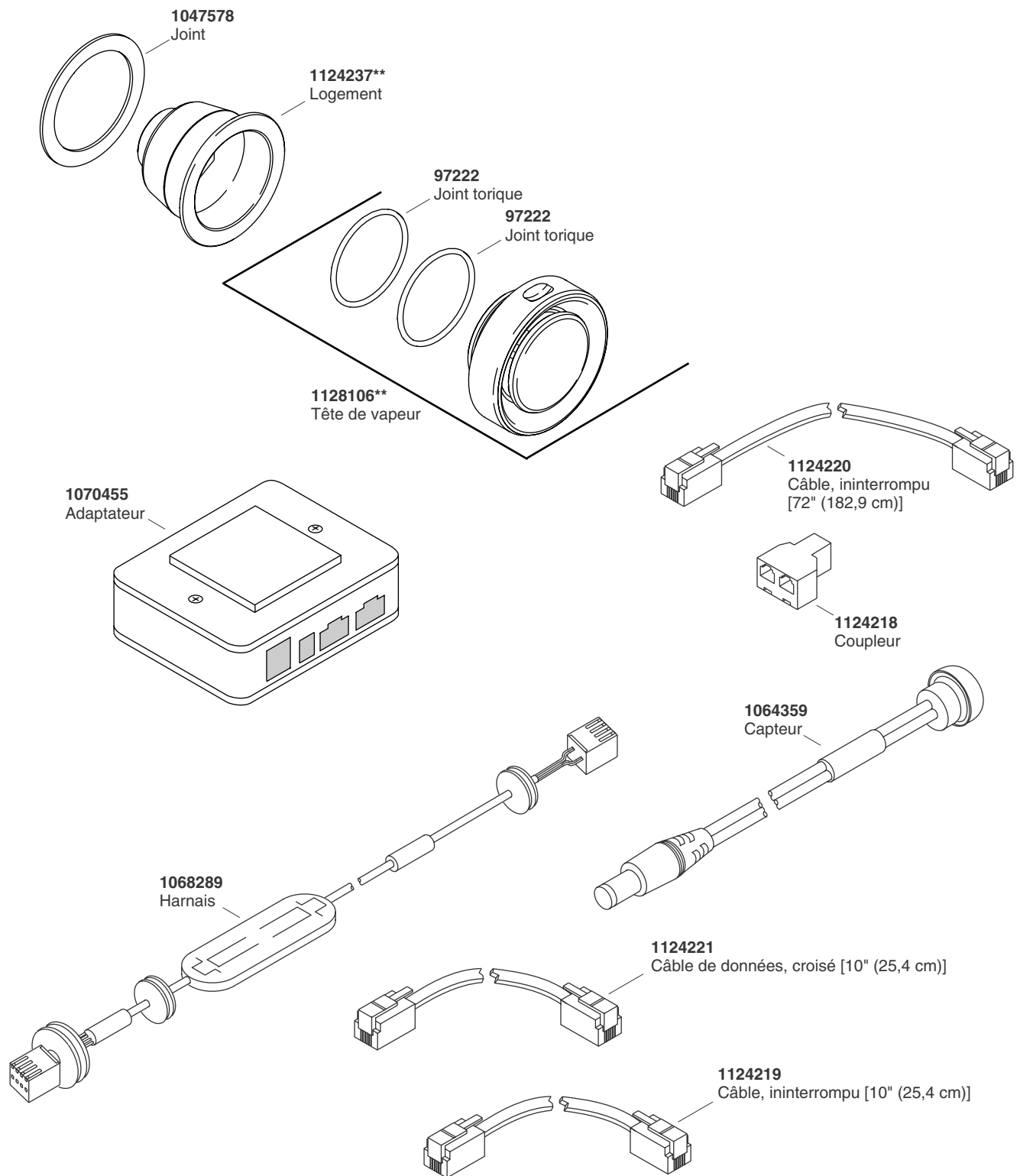
## Dépannage

Ce guide de dépannage est seulement destiné à une aide générale. Pour des problèmes ou questions concernant le dépannage et l'installation, composer le 1-800-4-KOHLER.

Symptômes	Causes probables	Action recommandée
1. Error 0140 s'affiche.	A. Le niveau d'eau dans le réservoir est bas (le voyant d'état vert est allumé sur le générateur).	A. Inspecter la grille d'arrivée d'eau et la nettoyer si nécessaire. S'assurer que la vanne d'alimentation d'eau est ouverte et que l'eau alimente le générateur.
	B. La limite de température du réservoir a été dépassée (le voyant d'état vert sur le générateur est éteint).	B. Appeler le service d'assistance à la clientèle en utilisant les informations fournies sur la dernière page de ce manuel.
	C. Les composants internes du générateur ne fonctionnent pas correctement.	C. Appeler le service d'assistance à la clientèle en utilisant les informations fournies sur la dernière page de ce manuel.
2. Error 0120 s'affiche.	A. La température dans le bain de vapeur a dépassé le niveau maximum autorisé.	A1. Réinitialiser l'alimentation au générateur et aérer le bain de vapeur pour évacuer la chaleur en excès.
		A2. Déplacer le capteur de température loin de la tête de vapeur ou d'une autre source de chaleur.
		A3. Appeler le service d'assistance à la clientèle en utilisant les informations fournies sur la dernière page de ce manuel.
3. Error 0104 s'affiche.	A. Le capteur de température n'est pas connecté.	A. Connecter le capteur de température.
	B. Le capteur de température est endommagé.	B. Appeler le service d'assistance à la clientèle en utilisant les informations fournies sur la dernière page de ce manuel.
4. Error 0408 s'affiche.	A. Une erreur de communication s'est produite.	A. Effectuer une réinitialisation système sur l'interface utilisateur.
5. Les voyants de l'adaptateur sont éteints.	A. Le générateur n'est pas alimenté correctement (le voyant d'état vert sur le générateur est éteint).	A. Assurer une alimentation correcte du générateur. Le cas échéant, utiliser le kit de test fourni pour assurer le bon fonctionnement du générateur.
	B. L'interface utilisateur n'est pas alimenté par le générateur (le voyant d'état vert sur le générateur est allumé).	B. Utiliser le kit de test et les instructions fournis pour identifier la source du problème.
	C. L'interface de l'utilisateur est endommagée (le voyant d'état vert est allumé sur le générateur).	C. Appeler le service d'assistance à la clientèle en utilisant les informations fournies sur la dernière page de ce manuel.
6. Le voyant "GEN TEST" clignote en rouge.	A. Une erreur s'est produite au niveau du générateur de vapeur.	A. Vérifier le code d'erreur sur l'interface utilisateur. Voir le code d'erreur correspondant dans ce document.
7. Le voyant "TEMP SENSOR" clignote en rouge.	A. Le capteur de température n'est pas connecté.	A. Connecter le capteur de température.
	B. Le capteur de température est endommagé.	B. Appeler le service d'assistance à la clientèle en utilisant les informations fournies sur la dernière page de ce manuel.

<b>Dépannage (cont.)</b>		
<b>Symptômes</b>	<b>Causes probables</b>	<b>Action recommandée</b>
8. Le voyant "DATA LINK" clignote en rouge.	A. Une connexion au module média n'est pas encore établie.	A. Attendre que la connexion soit établie.
	B. Une connexion au module média ne peut pas être établie.	B. Retirer et rebrancher le câble qui connecte l'adaptateur au module média. Inspecter le câble pour tout dommage et remplacer si nécessaire.
	C. Une erreur s'est produite.	C1. Vérifier le code d'erreur sur l'interface utilisateur. Voir le code d'erreur correspondant dans ce document. C2. Réinitialiser l'alimentation aux générateur et module média. C3. Effectuer une réinitialisation système sur l'interface utilisateur.
9. Le menu Steam disparaît après la demande de vapeur.	A. Les câbles entre le ou les générateurs et adaptateur sont mal installés.	A1. Réinstallez le ou les câbles noirs et/ou argentés entre le ou les générateurs de vapeur et adaptateur en suivant les instructions dans le guide d'installation.
		A2. Appeler le service d'assistance à la clientèle en utilisant les informations fournies sur la dernière page de ce manuel.
10. L'affichage n'indique pas la fonction de vapeur.	A. Le générateur n'est pas alimenté correctement (le voyant d'état vert sur le générateur est éteint).	A1. Assurer une alimentation correcte du générateur. Le cas échéant, utiliser le kit de test fourni pour assurer le bon fonctionnement du générateur.
		A2. Appeler le service d'assistance à la clientèle en utilisant les informations fournies sur la dernière page de ce manuel.
	B. L'adaptateur est endommagé (le voyant d'état vert est allumé sur le générateur).	B1. Utiliser le kit de test et les instructions fournis pour identifier la source du problème.
		B2. Appeler le service d'assistance à la clientèle en utilisant les informations fournies sur la dernière page de ce manuel.
11. Eau de la tête de vapeur.	A. Fonctionnement normal.	A1. Une petite quantité d'eau qui s'échappe de la tête de vapeur avant, pendant, et juste après l'utilisation de la vapeur est normale.
		A2. De l'eau qui s'échappe de la tête de vapeur pendant le cycle de nettoyage pression est normal.
	B. Les conduites d'alimentation d'eau ne sont pas correctement connectées.	B. Revoir le guide d'installation du générateur et réinstaller les conduites aux endroits adéquats.
	C. Les composants internes du générateur ne fonctionnent pas correctement.	C. Fermer l'alimentation d'eau au générateur. Si cela est possible, vider le réservoir. Ouvrir doucement la vanne d'alimentation d'eau pour remplir le générateur.

<b>Dépannage (cont.)</b>		
<b>Symptômes</b>	<b>Causes probables</b>	<b>Action recommandée</b>
		<b>C2.</b> Appeler le service d'assistance à la clientèle en utilisant les informations fournies sur la dernière page de ce manuel.
<b>12.</b> Aucune vapeur après cinq minutes de fonctionnement.	<b>A.</b> Une erreur s'est produite.	<b>A.</b> Lire les messages d'erreur sur l'interface de l'utilisateur. Si un message d'erreur apparaît, voir la solution de dépannage appropriée.
	<b>B.</b> Le point seuil de température est déjà atteint.	<b>B.</b> Confirmer que le point seuil de température est supérieur à la température du bain de vapeur actuel. Augmenter le point seuil de température, le cas échéant.
	<b>C.</b> Le générateur n'est pas alimenté correctement (le voyant d'état vert sur le générateur est éteint).	<b>C1.</b> Assurer une alimentation correcte du générateur. Le cas échéant, utiliser le kit de test fourni pour assurer le bon fonctionnement du générateur.
		<b>C2.</b> Appeler le service d'assistance à la clientèle en utilisant les informations fournies sur la dernière page de ce manuel.
	<b>D.</b> Les câbles entre le ou les générateurs et adaptateur sont mal installés.	<b>D.</b> Réinstallez les câbles noirs et/ou argentés entre le ou les générateurs de vapeur et adaptateur en suivant les instructions dans le guide d'installation.
	<b>E.</b> La conduite ou la tête de vapeur est bloquée.	<b>E.</b> Rechercher des blocages éventuels au niveau de la conduite ou la tête de vapeur. Réparer au besoin.
<b>F.</b> Le générateur est endommagé.	<b>F1.</b> Utiliser le kit test fourni pour vérifier la fonction du générateur.	
	<b>F2.</b> Appeler le service d'assistance à la clientèle en utilisant les informations fournies sur la dernière page de ce manuel.	
<b>13.</b> Arrêt de la vapeur.	<b>A.</b> Une erreur s'est produite.	<b>A.</b> Lire les messages d'erreur sur l'interface de l'utilisateur. Si un message d'erreur apparaît, voir la solution de dépannage appropriée.
	<b>B.</b> La limite de durée de session a été atteinte ou le point seuil de la température a été atteint.	<b>B.</b> Redémarrer la minuterie de la session ou augmenter le point seuil de la température pour redémarrer la vapeur.



**\*\*Vous devez spécifier les codes de la finition et/ou de la couleur quand vous passez votre commande.**

## Pièces de rechange

# Guía del usuario

## Generador de vapor y kit de control

### Información importante de seguridad

¡IMPORTANTE! Al usar esta unidad, siempre siga las precauciones básicas.



**ADVERTENCIA: Riesgo de lesiones personales** Si se siente mal mientras toma el baño de vapor, usted debe apagar el vapor, tome una ducha fría, abra la puerta o salga de la unidad.



**ADVERTENCIA: Riesgo de lesiones personales** El baño de vapor puede causar fatiga, tal como lo hacen los baños calientes, las duchas y los baños sauna. Por ello, el baño de vapor no es recomendable para mujeres embarazadas, personas que padezcan problemas cardíacos, hipertensión, problemas circulatorios, así como personas que estén bajo la influencia de bebidas alcohólicas, drogas, medicamentos o bajo la atención de un médico.



**ADVERTENCIA: Riesgo de lesiones personales** **NO** consuma bebidas alcohólicas ni tome drogas o medicamentos antes o durante el uso del baño de vapor. El uso de alcohol y drogas afecta la capacidad mental e inhibe ciertas funciones corporales tales como el ritmo cardíaco y la respiración, lo cual constituye un serio peligro.



**ADVERTENCIA: Riesgo de lesiones a los niños.** No permita que los niños utilicen esta unidad sin estricta supervisión en todo momento. El generador de vapor no está diseñado para que lo usen los niños.

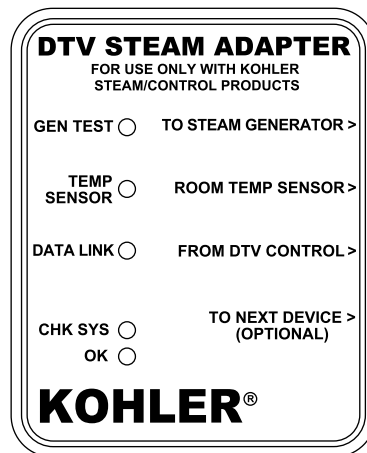


**ADVERTENCIA: Riesgo de quemaduras.** No toque el cabezal de vapor durante el funcionamiento. El cabezal de vapor está caliente durante su funcionamiento.



**ADVERTENCIA: Riesgo de lesiones personales o daños a la propiedad.** Evite el contacto con el tanque de agua y las líneas de descarga de vapor durante el funcionamiento del generador o inmediatamente después de apagarlo. Utilice lentes de seguridad y ropa protectora al dar mantenimiento al generador de vapor. El generador de vapor funciona a temperaturas altas, lo que puede ocasionar lesiones personales o daños materiales.

**AVISO:** Use esta unidad solamente para el fin con el que se diseñó, tal como se explica en este manual. **NO** use equipos adicionales que no estén recomendados por Kohler Co.



## Funcionamiento del generador de vapor

**NOTA:** Consulte las instrucciones incluidas con la interface digital del usuario y el módulo de medios.

### Funcionamiento normal

- El diodo emisor de luz "GEN TEST" parpadea en color verde cada segundo (un segundo encendido y un segundo apagado).
- El diodo emisor de luz "TEMP SENSOR" parpadea en color verde cada segundo (un segundo encendido y un segundo apagado).
- El diodo emisor de luz "DATA LINK" parpadea en color verde cada segundo (un segundo encendido y un segundo apagado).

### Funcionamiento anormal (para obtener más información, consulte los procedimientos para resolver problemas)

- El diodo emisor de luz "GEN TEST" está apagado, parpadea en color rojo, encendido constante en color verde o encendido constante en color rojo.
- El diodo emisor de luz "TEMP SENSOR" está apagado, parpadea en color rojo, encendido constante en color verde o encendido constante en color rojo.
- El diodo emisor de luz "DATA LINK" está apagado, parpadea en color rojo, encendido constante en color verde o encendido constante en color rojo.

### La función de autolimpieza



**ADVERTENCIA: Riesgo de lesiones personales** No entre al área de la ducha cuando la función de autolimpieza esté activada.

**AVISO:** Después de que el generador de vapor funcione 600 minutos, automáticamente se recordará al usuario que utilice la función de autolimpieza. El generador de vapor podrá utilizarse tres veces más antes de que se tenga que activar la función de autolimpieza. Si no inicia la función de autolimpieza después del tercer recordatorio, el sistema se bloqueará. Entonces, es necesario hacer funcionar la autolimpieza para continuar con el funcionamiento del vapor.

**NOTA:** Cuando se activa la función de autolimpieza, generalmente sale agua por el cabezal de vapor.

## Cuidado y limpieza

Para obtener los mejores resultados, tenga presente lo siguiente al limpiar su producto KOHLER:

- Siempre pruebe la solución de limpieza en un área oculta antes de aplicarla a toda la superficie.



## Cuidado y limpieza (cont.)

- Limpie con un trapo las superficies y enjuague completa e inmediatamente con agua después de aplicar el limpiador. Enjuague y seque las superficies cercanas que se hayan rociado.
- No deje por tiempo prolongado los limpiadores en las superficies.
- Utilice una esponja o trapo suave y húmedo. Para limpiar las superficies nunca utilice materiales abrasivos como cepillos o estropajos de tallar.

Para obtener información detallada de limpieza y los limpiadores a considerar, visite [www.kohler.com/clean](http://www.kohler.com/clean). Para solicitar información sobre el cuidado y la limpieza, llame al 1-800-456-4537.

## Garantía

### Generador de vapor KOHLER GARANTÍA LIMITADA DE TRES AÑOS

Se garantiza al comprador consumidor original que las unidades de generador de vapor Kohler fabricados después del 15 de septiembre del 2001, están libres de defectos de fabricación en cuanto al material y mano de obra durante el uso residencial normal durante (3) tres años a partir de la fecha de instalación. Esta garantía sólo aplica a las unidades de generador de vapor KOHLER instaladas en los Estados Unidos de América, Canadá o México (Norteamérica).

En caso de que se presente algún defecto durante el uso residencial normal, Kohler Co., a su criterio, reparará o reemplazará la unidad, o realizará los ajustes pertinentes. Los daños causados por accidentes, uso indebido o abuso no están cubiertos en la presente garantía. Al presentar las reclamaciones de garantía a Kohler Co., es necesario incluir la prueba de compra (recibo original). Kohler Co. no se hace responsable de los gastos de mano de obra, desinstalación, instalación u otros gastos indirectos. En ningún caso la responsabilidad de Kohler Co. excederá el precio de compra de la unidad.

Si este producto se usa comercialmente o se instala fuera de Norteamérica, Kohler Co. garantiza que la unidad está libre de defectos de material y mano de obra por un (1) año, a partir de la fecha de instalación, estando en efecto todas las demás condiciones de la presente garantía, excepto la duración.

Para obtener el servicio de garantía, comuníquese con Kohler Co., a través de su distribuidor, contratista de plomería o distribuidor a través de Internet, o escriba directamente a: Kohler Co., Attn: Customer Care Center, 444 Highland Drive, Kohler, WI 53044, U.S.A. o llame al 1-800-4-KOHLER (1-800-456-4537) desde los Estados Unidos y Canadá, o al 001-800-456-4537 desde México, o visite [www.kohler.com](http://www.kohler.com) desde los Estados Unidos, [www.ca.kohler.com](http://www.ca.kohler.com) desde Canadá, o [www.mx.kohler.com](http://www.mx.kohler.com) en México.

**KOHLER CO. Y/O EL VENDEDOR OFRECE ESTAS GARANTÍAS QUE SUSTITUYEN A TODAS LAS DEMÁS GARANTÍAS, EXPRESAS O IMPLÍCITAS, INCLUYENDO, ENTRE OTRAS, LAS GARANTÍAS IMPLÍCITAS DE COMERCIALIZACIÓN E IDONEIDAD PARA UN PROPÓSITO EN PARTICULAR. KOHLER CO. Y/O EL VENDEDOR POR MEDIO DE LA PRESENTE DESCARGAN TODA RESPONSABILIDAD POR CONCEPTO DE DAÑOS PARTICULARES, INCIDENTALES O INDIRECTOS.** Algunos estados/provincias no permiten limitaciones en cuanto a la duración de una garantía implícita o a la exclusión o limitación de daños particulares, incidentales o indirectos, por lo que estas limitaciones y exclusiones pueden no aplicar a su caso. Esta garantía le otorga ciertos derechos legales específicos. Además, usted puede tener otros derechos que varían de estado a estado y provincia a provincia.

El presente documento constituye la garantía exclusiva por escrito de Kohler Co.

## Procedimiento para resolver problemas

Esta guía para resolver problemas está diseñada únicamente como ayuda general. Para preguntas de servicio e instalación, llame al 1-800-4-KOHLER.

Síntomas	Causas probables	Acción recomendada
1. Se muestra el error 0140.	A. El nivel de agua del tanque está demasiado bajo (la luz de estado verde del generador está encendida).	A. Revise la rejilla de entrada de agua y limpie si es necesario. Asegure que la válvula de suministro de agua esté encendida y que se esté suministrando agua al generador.

**Procedimiento para resolver problemas (cont.)**

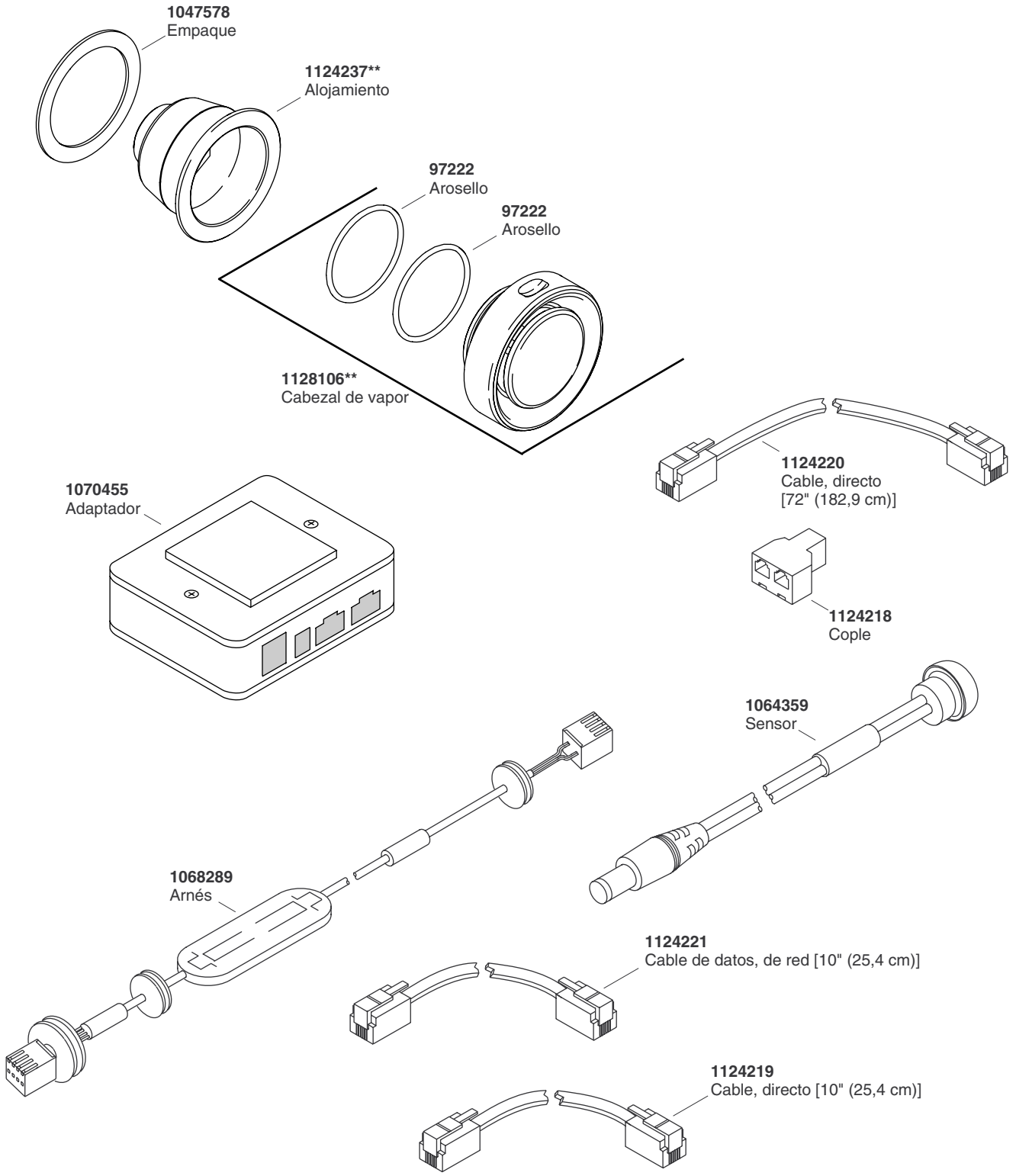
<b>Síntomas</b>	<b>Causas probables</b>	<b>Acción recomendada</b>
	<p><b>B.</b> Se ha excedido el límite de temperatura del tanque (la luz de estado verde del generador está apagada).</p> <p><b>C.</b> Los componentes internos del generador no funcionan correctamente.</p>	<p><b>B.</b> Llame al departamento de atención al cliente utilizando la información provista en la página posterior de este manual.</p> <p><b>C.</b> Llame al departamento de atención al cliente utilizando la información provista en la página posterior de este manual.</p>
2. Se muestra el error 0120.	<p><b>A.</b> La temperatura en el cuarto de vapor ha excedido el nivel máximo permitido.</p>	<p><b>A1.</b> Restablezca la alimentación eléctrica al generador y ventile el cuarto de vapor para eliminar el exceso de calor.</p> <p><b>A2.</b> Cambie la ubicación del sensor de temperatura alejándolo del cabezal de vapor u otras fuentes de calor.</p> <p><b>A3.</b> Llame al departamento de atención al cliente utilizando la información provista en la página posterior de este manual.</p>
3. Se muestra el error 0104.	<p><b>A.</b> El sensor de temperatura no está conectado.</p> <p><b>B.</b> El sensor de temperatura está dañado.</p>	<p><b>A.</b> Conecte el sensor de temperatura.</p> <p><b>B.</b> Llame al departamento de atención al cliente utilizando la información provista en la página posterior de este manual.</p>
4. Se muestra el error 0408.	<p><b>A.</b> Ha ocurrido un error de comunicación.</p>	<p><b>A.</b> Restablezca el sistema en la interface del usuario.</p>
5. Las luces del adaptador están apagadas.	<p><b>A.</b> El generador recibe corriente eléctrica inadecuada (la luz de estado verde del generador está apagada).</p> <p><b>B.</b> La interface de usuario no está recibiendo energía eléctrica del generador (la luz de estado verde del generador está encendida).</p> <p><b>C.</b> La interface del usuario está dañada (la luz de estado verde del generador está encendida).</p>	<p><b>A.</b> Provea la alimentación eléctrica correcta al generador. Si es necesario, utilice el kit de prueba provisto para asegurar que el generador esté funcionando correctamente.</p> <p><b>B.</b> Utilice el kit de prueba provisto y las instrucciones para identificar el origen del problema.</p> <p><b>C.</b> Llame al departamento de atención al cliente utilizando la información provista en la página posterior de este manual.</p>
6. La luz "GEN TEST" está parpadeando en rojo.	<p><b>A.</b> Ha ocurrido un error con el generador de vapor.</p>	<p><b>A.</b> Revise el código de error en la interface del usuario. Consulte el código de error correspondiente en este documento.</p>
7. La luz "TEMP SENSOR" está parpadeando en rojo.	<p><b>A.</b> El sensor de temperatura no está conectado.</p> <p><b>B.</b> El sensor de temperatura está dañado.</p>	<p><b>A.</b> Conecte el sensor de temperatura.</p> <p><b>B.</b> Llame al departamento de atención al cliente utilizando la información provista en la página posterior de este manual.</p>
8. La luz "DATA LINK" está parpadeando en rojo.	<p><b>A.</b> No se ha establecido una conexión al módulo de medios.</p>	<p><b>A.</b> Espere a que la conexión se haga.</p>

**Procedimiento para resolver problemas (cont.)**

Síntomas	Causas probables	Acción recomendada
	<p><b>B.</b> No se puede establecer una conexión al módulo de medios.</p>	<p><b>B.</b> Retire y vuelva a conectar el cable que conecta el adaptador al módulo de medios. Revise el cable para determinar si está dañado y cámbielo de ser necesario.</p>
	<p><b>C.</b> Ha ocurrido un error.</p>	<p><b>C1.</b> Revise el código de error en la interface del usuario. Consulte el código de error correspondiente en este documento.</p>
		<p><b>C2.</b> Desconecte y vuelva a conectar la energía eléctrica al generador y al módulo de medios.</p>
		<p><b>C3.</b> Restablezca el sistema en la interface del usuario.</p>
<p><b>9.</b> El menú de vapor desaparece después de solicitar vapor.</p>	<p><b>A.</b> Los cables entre el o los generadores y el adaptador están mal instalados.</p>	<p><b>A1.</b> Vuelva a instalar el o los cables negro y plateado entre el o los generadores de vapor y el adaptador según las instrucciones en la guía de instalación.</p> <p><b>A2.</b> Llame al departamento de atención al cliente utilizando la información provista en la página posterior de este manual.</p>
<p><b>10.</b> La pantalla no muestra la función de vapor.</p>	<p><b>A.</b> El generador recibe corriente eléctrica inadecuada (la luz de estado verde del generador está apagada).</p>	<p><b>A1.</b> Provea la alimentación eléctrica correcta al generador. Si es necesario, utilice el kit de prueba provisto para asegurar que el generador esté funcionando correctamente.</p> <p><b>A2.</b> Llame al departamento de atención al cliente utilizando la información provista en la página posterior de este manual.</p>
	<p><b>B.</b> El adaptador está dañado (la luz de estado verde del generador está encendida).</p>	<p><b>B1.</b> Utilice el kit de prueba provisto y las instrucciones para identificar el origen del problema.</p>
		<p><b>B2.</b> Llame al departamento de atención al cliente utilizando la información provista en la página posterior de este manual.</p>
<p><b>11.</b> Agua del cabezal de vapor.</p>	<p><b>A.</b> Funcionamiento normal.</p>	<p><b>A1.</b> Es normal que salga una pequeña cantidad de agua del cabezal de vapor justo antes, durante y justo después del vapor.</p> <p><b>A2.</b> El flujo de agua del cabezal de vapor durante el ciclo de autolimpieza es normal.</p>
	<p><b>B.</b> Las líneas del suministro de agua están mal conectadas.</p>	<p><b>B.</b> Repase la guía de instalación del generador y vuelva a instalar las líneas en los lugares correctos.</p>
	<p><b>C.</b> Los componentes internos del generador no funcionan correctamente.</p>	<p><b>C.</b> Cierre el suministro de agua al generador. Si es posible, drene el tanque. Abra lentamente la llave de paso del suministro de agua para volver a llenar el generador.</p>

**Procedimiento para resolver problemas (cont.)**

Síntomas	Causas probables	Acción recomendada
		<p><b>C2.</b> Llame al departamento de atención al cliente utilizando la información provista en la página posterior de este manual.</p>
<p><b>12.</b> No se genera vapor después de 5 minutos de presionar el encendido.</p>	<p><b>A.</b> Ha ocurrido un error.</p>	<p><b>A.</b> Vea si la interface del usuario tiene mensajes de error. Si aparece un mensaje de error, consulte la resolución de problemas del mensaje de error correspondiente.</p>
	<p><b>B.</b> El valor de temperatura ya se ha alcanzado.</p>	<p><b>B.</b> Revise para asegurar que el valor de temperatura sea mayor que la temperatura actual del cuarto de vapor. Si desea, aumente el valor de temperatura.</p>
	<p><b>C.</b> El generador recibe corriente eléctrica inadecuada (la luz de estado verde del generador está apagada).</p>	<p><b>C1.</b> Provea la alimentación eléctrica correcta al generador. Si es necesario, utilice el kit de prueba provisto para asegurar que el generador esté funcionando correctamente.</p> <p><b>C2.</b> Llame al departamento de atención al cliente utilizando la información provista en la página posterior de este manual.</p>
	<p><b>D.</b> Los cables entre el o los generadores y el adaptador están mal instalados.</p>	<p><b>D.</b> Vuelva a instalar el o los cables negro y plateado entre el o los generadores de vapor y el adaptador según las instrucciones en la guía de instalación.</p>
	<p><b>E.</b> La línea de vapor o el cabezal de vapor está obstruido.</p>	<p><b>E.</b> Revise que no haya obstrucciones en el cabezal de vapor y en la línea de vapor. Repare de ser necesario.</p>
	<p><b>F.</b> El generador está dañado.</p>	<p><b>F1.</b> Utilice el kit de prueba provisto para verificar la función del generador.</p> <p><b>F2.</b> Llame al departamento de atención al cliente utilizando la información provista en la página posterior de este manual.</p>
<p><b>13.</b> El vapor paró.</p>	<p><b>A.</b> Ha ocurrido un error.</p>	<p><b>A.</b> Vea si la interface del usuario tiene mensajes de error. Si aparece un mensaje de error, consulte la resolución de problemas del mensaje de error correspondiente.</p>
	<p><b>B.</b> Se llegó al límite de tiempo de la sesión o se llegó al valor de temperatura.</p>	<p><b>B.</b> Vuelva a iniciar el temporizador de sesión o aumente el valor de temperatura para volver a iniciar el vapor.</p>



\*\*Se debe especificar el código del acabado/color con el pedido.

## Piezas de repuesto





USA/Canada: 1-800-4KOHLER

México: 001-800-456-4537

[kohler.com](http://kohler.com)

THE BOLD LOOK  
OF **KOHLER**®

©2010 Kohler Co.

1069332-5-C