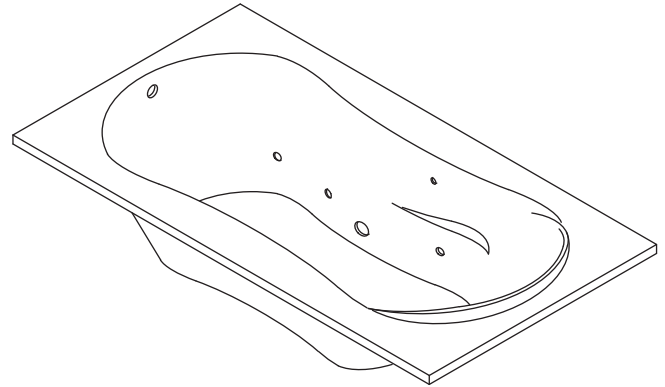


CUSTOM WHIRLPOOL BATH K-1157-CN

Features

- *ExoCrylic™*
- *Pump with air switch and grounding-type plug-in cord*
- *Six individually adjustable ProFlex® hydro-massage jets*
- *Custom pump locations*
- *Drop-in installation*
- *Molded lumbar support and armrests for comfort*
- *Optional K-1283 removable apron*
- *Optional K-9696 whirlpool trim kit in additional finishes*
- *72" (1829 mm) x 36" (914 mm) x 20-1/8" (511 mm)*



Codes/Standards Applicable

Specified model meets or exceeds the following:

- *ASME A112.19.7/CSA B45.10*
- *CSA B45.5/IAPMO Z124*
- *UL 1795*

Colors/Finishes

- 0: White
- Other: Refer to Price Book for additional colors/finishes

Accessories

- 0: White
- CP: Polished Chrome
- PB: Vibrant® Polished Brass
- Other: Refer to Price Book for additional colors/finishes

Specified Model

Model	Description	Colors/Finishes	
K-1157-CN	Custom whirlpool bath	<input type="checkbox"/> 0	<input type="checkbox"/> Other _____
Recommended Accessories			
K-11677	Swiftflo™ adjustable trip lever bath drain	<input type="checkbox"/> CP	<input type="checkbox"/> PB
Optional Accessories			
K-1283	Removable apron	<input type="checkbox"/> 0	<input type="checkbox"/> Other _____
K-1491	Removable bath pillow	<input type="checkbox"/> 0	<input type="checkbox"/> Other _____
K-9696	Jet trim kit (metal finishes)	<input type="checkbox"/> CP	<input type="checkbox"/> PB <input type="checkbox"/> Other _____

Product Specification

The ExoCrylic whirlpool bath shall be 72" (1829 mm) in length, 36" (914 mm) in width, and 20-1/8" (511 mm) in height. Whirlpool shall be drop-in with custom pump locations. Whirlpool shall have six individually adjustable ProFlex hydro-massage jets, and pump with air switch and grounding-type plug-in cord. Whirlpool shall have molded lumbar support and armrests for comfort. Whirlpool shall feature optional K-1283 removable apron and K-9696 whirlpool trim kit in additional finishes. Whirlpool bath shall be Kohler Model K-1157-CN-_____.

PROFLEX® 7236

Technical Information

Fixture*:	
Bathing well:	
Basin area, bottom	55" (1397 mm) x 21" (533 mm)
Basin area, top	65" (1651 mm) x 26" (660 mm)
Weight	66 lbs (29.9 kg)
To overflow:	
Water depth	15" (381 mm)
Capacity	72 gal (272.5 L)
* Approximate measurements for comparison only.	

Drop-in cutout	70-1/2" (1791 mm) x 34-1/2" (876 mm)
----------------	--------------------------------------

Pump:	V	Hz	A
1-speed	120	60	7.5

Required Electrical Service

Dedicated circuit required, protected with Class A Ground-Fault Circuit-Interrupter (GFCI):	
Pump/control	120 V, 15 A, 60 Hz
Locate the outlet behind the whirlpool and within 24" (610 mm) of the pump.	

Installation Notes

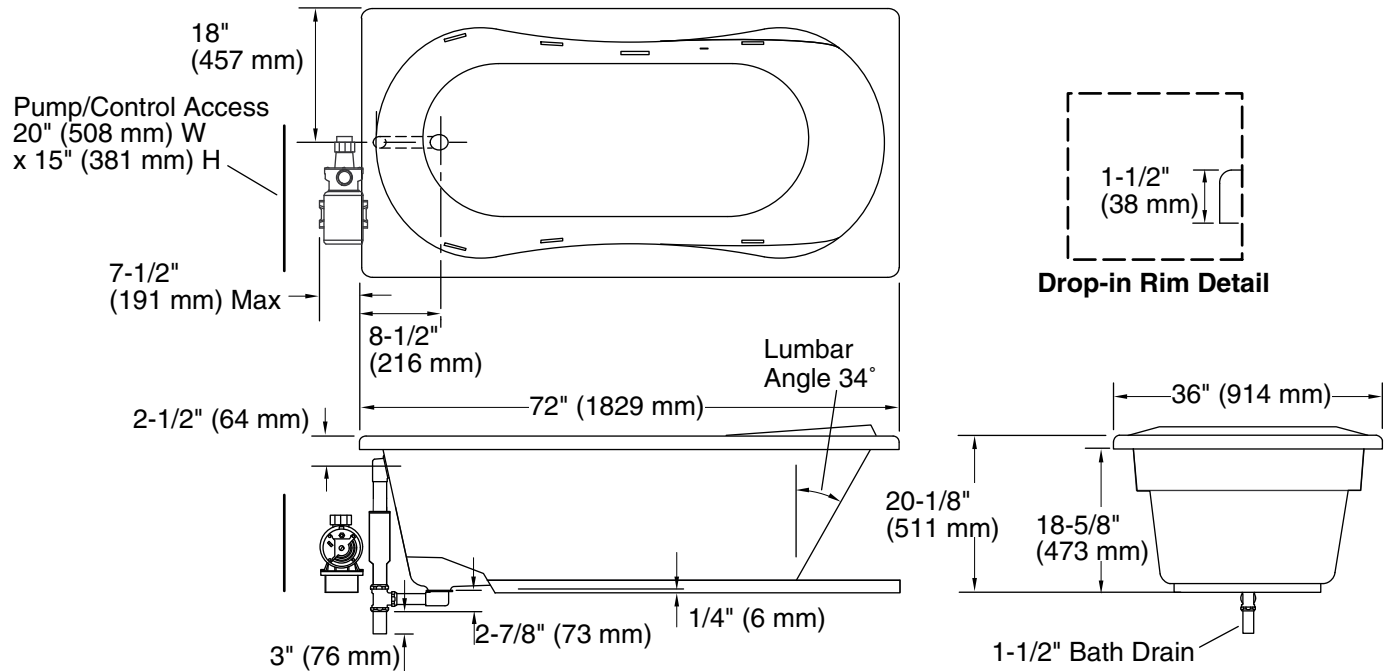
Install this product according to the installation guide.

Floor support under whirlpool must provide for a minimum of 39 lbs/square foot (188 kg/square meter) loading.

The apron must be installed before the finished floor and wall materials are installed.

Pump must be relocated to custom position at the time of installation. Provide adequate clearance.

No change in measurements if connected with drain illustrated. (K-11677)



Product Diagram