

Features

- Vitreous china.
- Elongated bowl.
- With bedpan lugs.
- 1-1/2" rear spud.
- 11" (279 mm) minimum rough-in.
- 11-3/8" (289 mm) x 10-3/8" (264 mm) water area.
- 2-1/4" (57 mm) passageway.
- 1.28 gpf (4.8 lpf) or 1.6 gpf (6.0 lpf) depending on flushometer specified.
- 26" (660 mm) x 14-1/2" (368 mm) x 17-1/2" (445 mm).

Recommended Accessories

K-4670-C Commercial Toilet Seat
K-4670-CA Commercial Toilet Seat
21401

Components

Additional included component/s: Spud, and Bolt cap accessory pack.



ADA CSA B651

Codes/Standards

ASME A112.19.2/CSA B45.1
DOE - Energy Policy Act 1992
ADA
ICC/ANSI A117.1
CSA B651




KOHLER® One-Year Limited Warranty

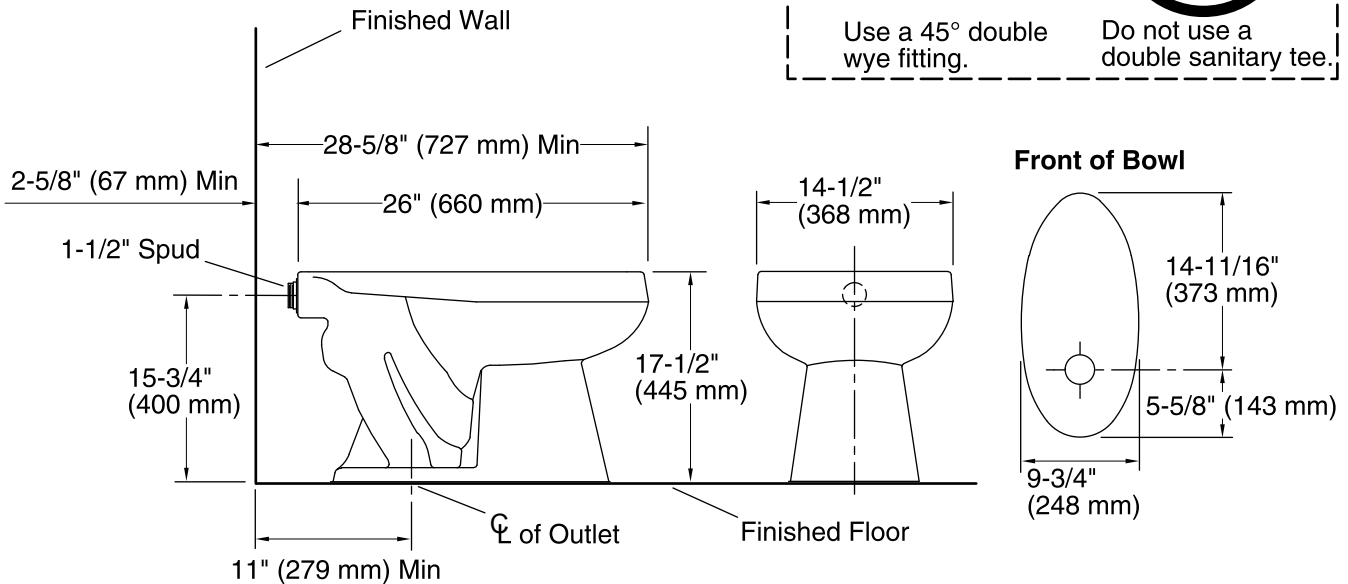
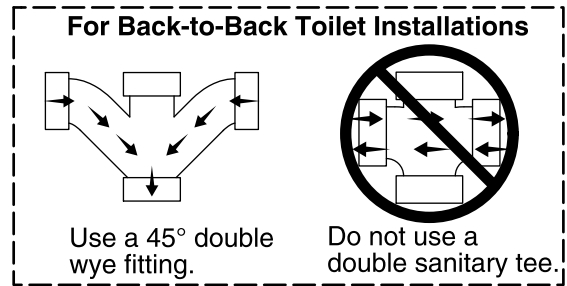
See website for detailed warranty information.

Available Color/Finishes

Color tiles intended for reference only.

Color	Code	Description
-------	------	-------------

	0	White
	96	Biscuit
	47	Almond



Technical Information

All product dimensions are nominal.

Bowl shape:	Elongated front
Spud size:	1-1/2", Inlet, Rear
Trap passageway:	2-1/4" (57 mm)
Water surface size:	11-3/8" x 10-3/8" (289 mm x 264 mm)
Rim to water surface:	6" (152 mm)
Seat-mounting holes:	5-1/2" (140 mm)

Fixture Supply Requirements

Min static pressure:	35 psi (241.3 kPa)
Max static pressure:	80 psi (551.6 kPa)
Min flowing pressure:	25 psi (172.4 kPa)
Min flow rate:	25 gpm (94.6 lpm)

Notes

Install this product according to the installation guide.

Refer to manufacturer's instructions and local codes for flushometer requirements.

For back-to-back toilet installations: Use only a 45° double wye fitting.

ADA, CSA B651 compliant when installed to the specific requirements of these regulations.

The Model Plumbing Codes require the installation of elongated open-front toilet seats on public bathrooms.