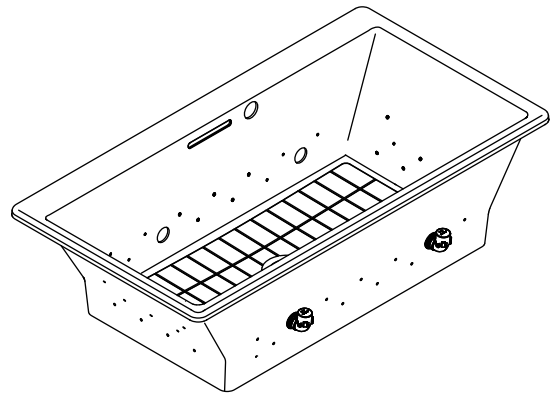


Features

- Cast iron with Safeguard® finish
- Blower motor with 300 W heater and electronic back-lit user control
- 40 BubbleMassage™ airjets with Chromatherapy
- 18 levels of airflow adjustability
- With Zones of Control™, surge, and automatic purge features
- 66-15/16" (1700 mm) x 36" (914 mm) x 19-1/16" (484 mm)

BUBBLEMASSAGE™ BATH WITH CHROMATHERAPY K-899-GC



Codes/Standards Applicable

Specified model meets or exceeds the following:

- ASME A112.19.1/CSA B45.2
- ASME A112.19.7
- CSA C22.2 No 218.2
- UL 1795

Colors/Finishes

- 0: White
- Other: Refer to Price Book for additional colors/finishes

Specified Model

Model	Description	Colors/Finishes	
K-899-GC0	BubbleMassage bath w/chromatherapy– airjet trim/White	<input type="checkbox"/> 0	<input type="checkbox"/> Other_____
K-899-GC47	BubbleMassage bath w/chromatherapy – airjet trim/Almond	<input type="checkbox"/> 0	<input type="checkbox"/> Other_____
K-899-GC96	BubbleMassage bath w/chromatherapy – airjet trim/Biscuit	<input type="checkbox"/> 0	<input type="checkbox"/> Other_____
K-899-GCCP	BubbleMassage bath w/chromatherapy – airjet trim/Polished Chrome	<input type="checkbox"/> 0	<input type="checkbox"/> Other_____
K-899-GCBN	BubbleMassage bath w/chromatherapy – airjet trim/Brushed Nickel	<input type="checkbox"/> 0	<input type="checkbox"/> Other_____
K-899-GCSN	BubbleMassage bath w/chromatherapy – airjet trim/Vibrant Polished Nickel	<input type="checkbox"/> 0	<input type="checkbox"/> Other_____
K-899-GCNY	BubbleMassage bath w/chromatherapy – airjet trim/Dune	<input type="checkbox"/> 0	<input type="checkbox"/> Other_____

Required Accessories

K-7271	Clearflo slotted overflow brass bath drain	<input type="checkbox"/> CP	<input type="checkbox"/> Other_____
K-7272	Clearflo slotted overflow bath drain – PVC pipe	<input type="checkbox"/> CP	<input type="checkbox"/> Other_____

Optional Accessories

K-137	Undermount kit	<input type="checkbox"/> NA	
K-1705	Remote control	<input type="checkbox"/> NA	
K-9498	3" (7.6 cm) whirlpool keypad trim	<input type="checkbox"/> CP	<input type="checkbox"/> Other_____

Product Specification

The BubbleMassage bath shall be made of cast iron with Safeguard finish. Bath shall be 66-15/16" (1700 mm) in length, 36" (914 mm) in width, and 19-1/16" (484 mm) in height. Bath shall have 40 BubbleMassage™ airjets with chromatherapy. Bath shall have a blower motor with 300 W heater and electronic back-lit user control. Bath shall have 18 levels of airflow adjustability. Bath shall be with Zones of Control™, surge, and automatic purge features. Bath shall be Kohler Model K-899-GC____-____.

Technical Information

Fixture*:				
Bathing well:				
Basin area, bottom	49" (1245 mm) x 26-1/2" (673 mm)			
Basin area, top	62-1/2" (1588 mm) x 29-1/4" (743 mm)			
Weight	435 lbs (197.3 kg)			
To overflow:				
Water depth	19" (483 mm)			
Capacity	90 gal (340.6 L)			
* Approximate measurements for comparison only.				
Drop-in cut-out		66-1/2" (1689 mm) x 35-1/2" (902 mm)		
Blower motor:	kW	V	Hz	A
	300	220-240	50/60	3

Required Electrical Service

Dedicated circuit required, protected with Class A Ground-Fault Circuit-Interrupter (GFCI):

Blower motor/control	220-240 V, 15 A, 50/60 Hz
----------------------	---------------------------

Installation Notes

Install this product according to the installation guide.

NOTICE: If the blower motor and check valve are relocated, two access panels are required. Locate one access panel at the blower motor/control location and the other at the control box. Locate the blower motor and check valve together.

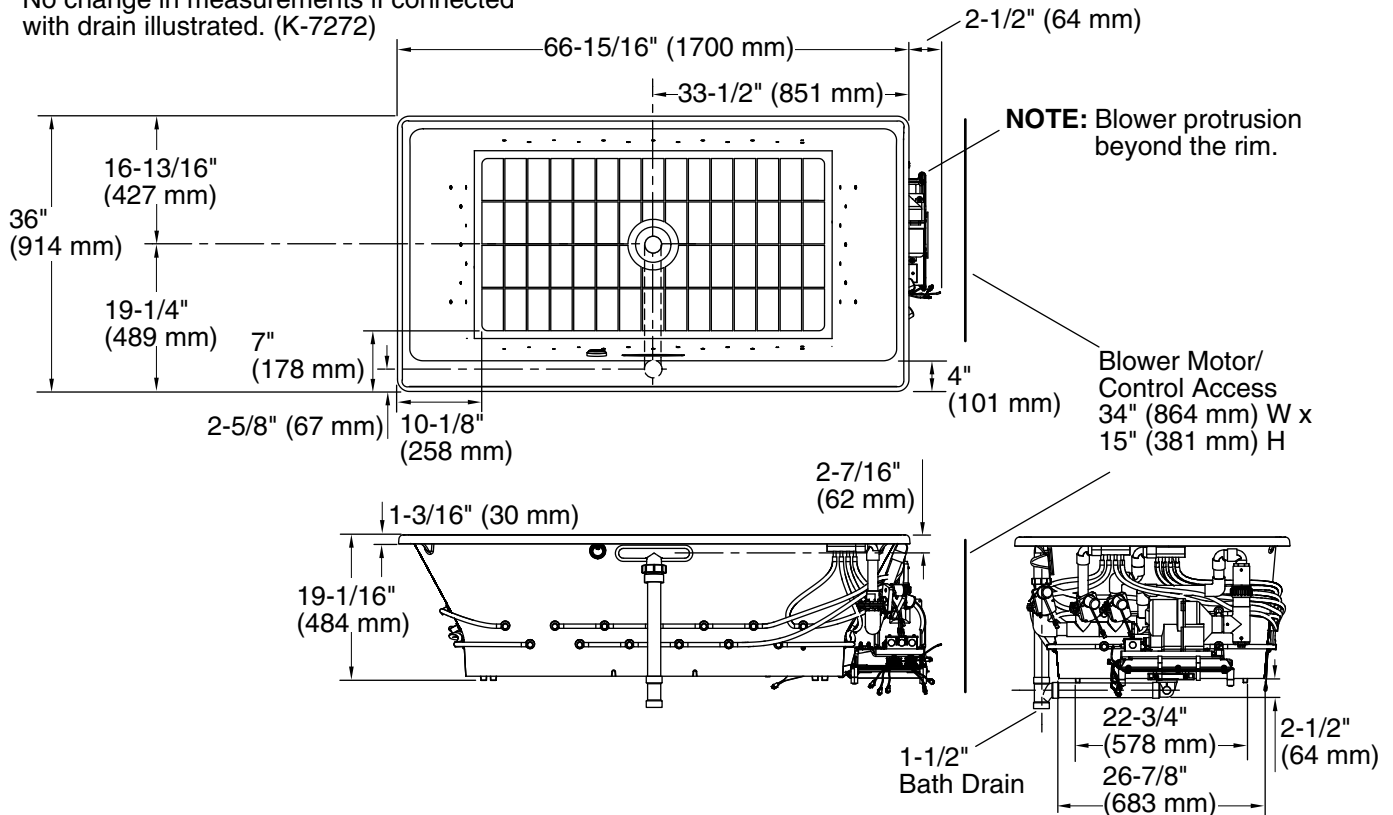
Floor support under bath must provide for a minimum of 78 lbs/square foot (386 kg/square meter) loading.

Splitting the deck/surround is recommended if installing into a deck.

Hot water supply should be 70% of capacity or greater. Installations will vary.

Fixture conforms to ASME Standard A112.19.1/CSA B45.2. All dimensions are nominal.

No change in measurements if connected with drain illustrated. (K-7272)



Product Diagram