

# Installation and Care Guide

## Single-Handle Bath and Shower Valves

K-304

**M** product numbers are for Mexico (i.e. K-12345**M**)  
Los números de productos seguidos de  
**M** corresponden a México (Ej.  
K-12345**M**)  
Français, page "Français-1"  
Español, página "Español-1"

THE BOLD LOOK  
OF **KOHLER**®

1110626-2-J

# IMPORTANT INSTRUCTIONS

## READ AND SAVE FOR THE CONSUMER



**WARNING: Risk of scalding or other severe injury.**

- Before completing installation, the installer must set the maximum water temperature setting of this valve to minimize the risks associated with scalding hazards according to ASTM F 444.
- Do not install a shut-off device on either outlet of this valve. The installation of any such device may create a cross-flow condition at the valve and affect the water temperature.
- Factors that change the temperature of the water supplied to the valve, such as seasonal water temperature changes, and water heater replacement or servicing, will change the maximum water temperature supplied by the valve and may create a scalding hazard. The pressure-balancing valve **will not** compensate for changes in the water supply temperature; adjust the maximum water temperature setting of this pressure-balancing valve when such changes occur.
- Pressure-balancing valves may not provide protection against scalding if there is a failure of other temperature-limiting devices elsewhere in the plumbing system.

**NOTICE:** Only apply silicone based lubricants to these valves. Do not use petroleum based lubricants. Petroleum based lubricants will harm the O-rings, seals, and plastic components.

**The installer is responsible for installing the valve and adjusting the maximum water temperature of this pressure-balancing valve according to instructions.**

**This valve meets or exceeds ANSI A112.18.1 and ASSE 1016.**

If you do not understand any of the installation or temperature adjustment instructions in this document, in the United States please contact our Customer Care Center at **1-800-4KOHLER**. Outside the U.S., please contact your distributor.

The PEX connections on the 304-PX and 304-PS are designed for use with any ASTM F 1807 compliant copper crimp rings and ASTM F 887 compliant PEX tubing. These fittings are not compatible with ASTM F 1960 cold expansion fittings with PEX reinforcing ring assemblies.

## IMPORTANT INSTRUCTIONS (cont.)

The PEX fittings on this valve have been third party certified by CSA using the following: Sioux Chief 1/2" copper crimp ring and CSA certified VANGUARD VANEX® 1/2" PEX potable tubing. Crimps were made using a Sioux Chief 1/2" crimp tool in accordance with the Sioux Chief instructions.

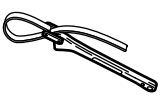
The PEX connections on the 304-UX and 304-US are designed for use with any ASTM F 1960 compliant cold expansion retaining rings and ASTM F 887 compliant PEX tubing. These fittings are not compatible with ASTM F 1807 copper crimp reinforcing ring and PEX tubing assemblies.

The PEX fittings on this valve have been third party certified by CSA using the following: WIRSBO AQUAPEX 1/2" potable tubing, Uponor ProPEX 1/2" cold expansion retaining rings and the Uponor ProPEX Hand Expander tool in accordance with the Uponor Instructions.

**IMPORTANT NOTICE TO INSTALLERS!** Please fill in the blanks in the information box below. Retain this Guide for future reference.

**NOTICE TO HOMEOWNERS!** This device has been preset by \_\_\_\_\_ of \_\_\_\_\_ to ensure a safe maximum temperature. Any change in the setting may raise the discharge temperature above the limit considered safe, and lead to scalds.  
Date: \_\_\_\_\_

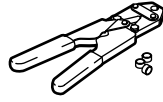
## Tools and Materials



Strap Wrench



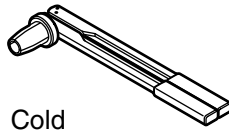
Hacksaw or  
Tubing Cutter



PEX Crimp Tool  
(Optional)



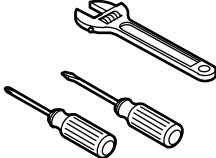
Solder



Cold  
Expansion Tool  
(Optional)



Hex Wrench



Sealant Tape

## Before You Begin



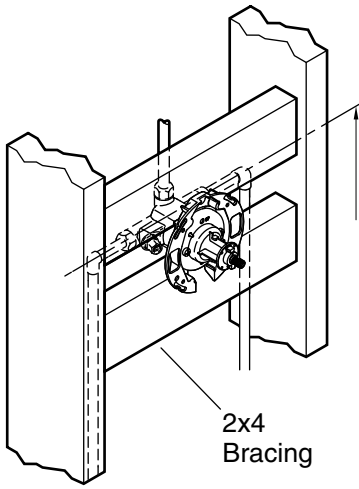
**CAUTION: Risk of personal injury.** The water temperature should never be set above 120°F (49°C).

**Before You Begin (cont.)**

**NOTICE:** Use only 1/2" (5/8" OD) copper pipe (type L or M) between the valve and bath spout. Using other materials may cause back pressure and result in water flowing from the showerhead and bath spout at the same time.

**NOTICE:** Do not force the handle in any direction. Forcing the handle will damage the valve.

- Observe all local plumbing and building codes.
- Shut off the main water supply.



48" (1220 mm)  
To Floor

**Shower Only**

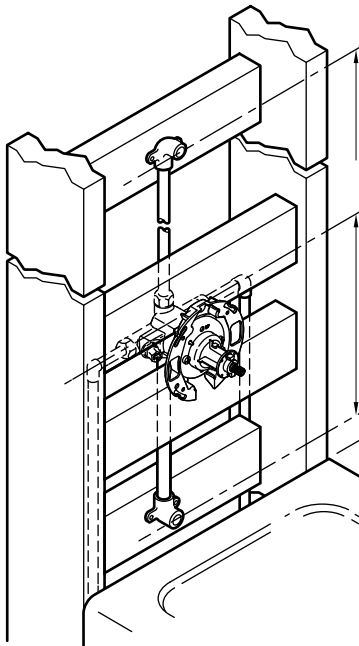
2x4  
Bracing

2x4  
Bracing

2-1/16"  
(52 mm)

2-3/4" (70 mm)

**Thin Wall**



72" (1829 mm) –  
78" (1981 mm)  
To Floor (Typical)

7" (178 mm) –  
18" (457 mm)  
[10" (254 mm)  
Recommended]

4" (102 mm)

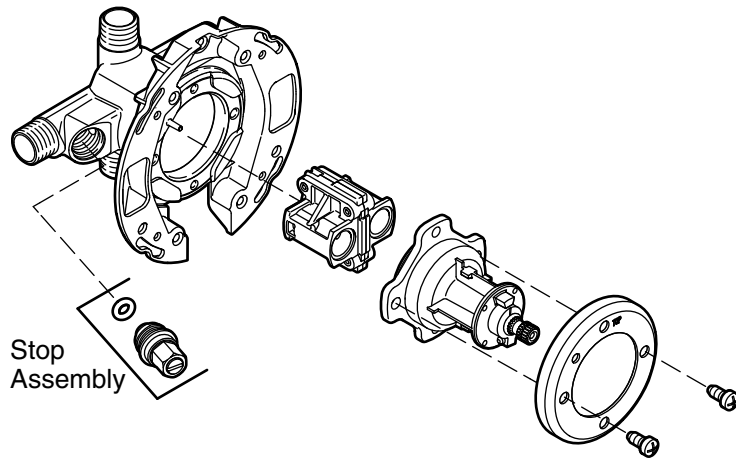
**Bath/Shower**

2-1/16"  
(52 mm)

2-3/4" (70 mm) –  
3-1/2" (89 mm)

**Thick Wall**

**Roughing-In**



## 1. Prepare the Valve

**IMPORTANT!** The internal components of the valve will only need to be removed for back-to-back installations (reversed valve only) or installations that require soldering of connections.

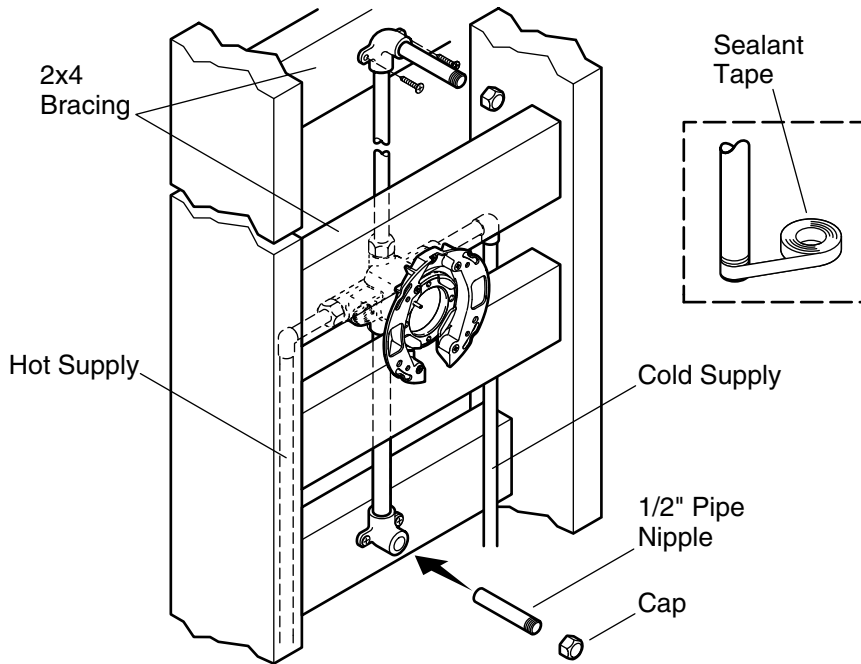
**NOTE:** Only valves with stops will include the stop assembly.

### Installations Requiring Soldering

- Remove the plaster guard (not shown).
- Remove internal valve components as shown and set aside.

### Back-to-Back Installations

- Remove the plaster guard (not shown).
- For the reversed valve, remove internal components as shown and set aside. The stop assembly does not need to be removed if soldering is not needed.



## 2. Position the Valve and Route Piping

### Install Support Framing

**NOTE:** The position of the 2x4 bracing is dependent on the thickness of your finished wall. Refer to the "Roughing-In" Section.

- Determine the valve location and install 2x4 bracing behind the valve plate.
- Install bracing at the showerhead and bath spout installation locations.

### Route Piping and Connect the Supplies

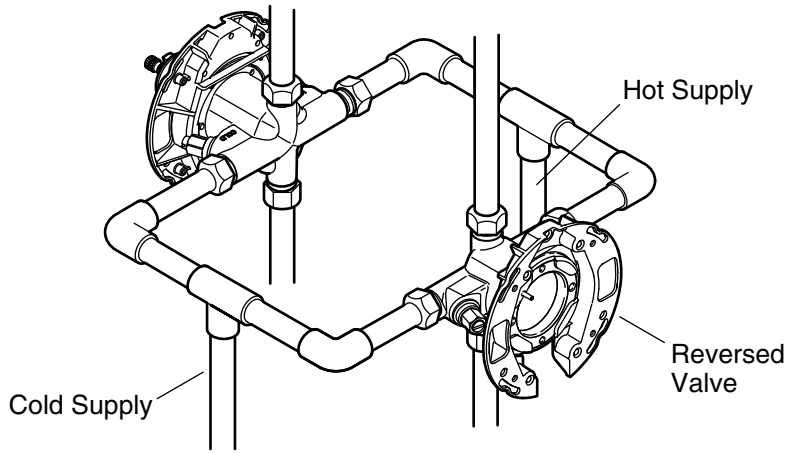
**IMPORTANT!** Do not use multiple elbows on the bath spout outlet. Use 1/2" NPT threaded adapters or solder 1/2" copper directly to the outlet.

- Install 1/2" piping and elbows to the showerhead and bath spout outlets. Use sealant tape on all threaded connections.
- Secure the piping to the framing.
- Connect the water supplies using 1/2" copper, CPVC, or PEX components.

**Position the Valve and Route Piping (cont.)**

- Solder all needed connections.
- Temporarily install 1/2" pipe nipples to the elbows so they will extend at least 2" (51 mm) beyond the finished wall.
- Install caps to both pipe nipples.





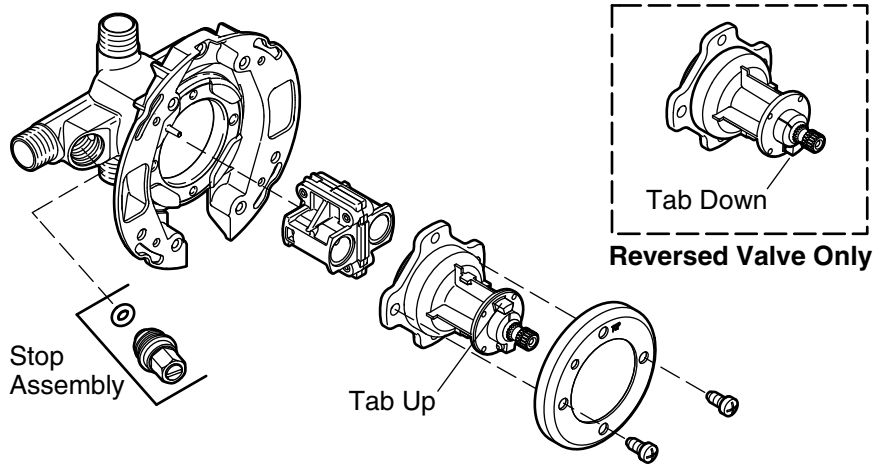
### 3. Back-To-Back Installation

**NOTICE:** Do not install the valve body upside down.

- Route the supplies and install the valves. Refer to the roughing-in illustration for your installation.

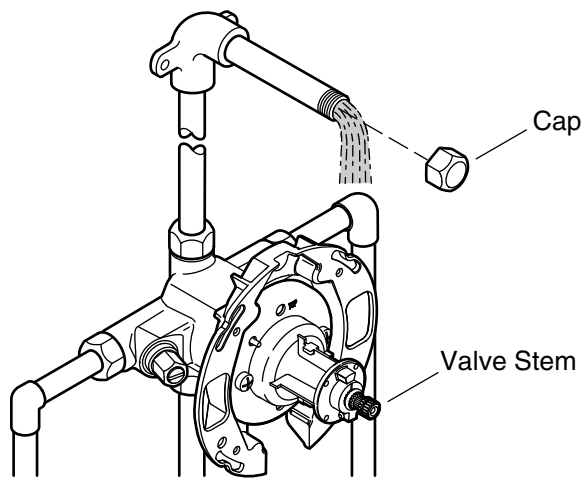
**NOTE:** One valve will have reversed supply connections, hot supply to "COLD" inlet and cold supply to "HOT" inlet.

- Connect the water supplies as shown. Use sealant tape on all threaded connections.
- Install 2x4 bracing behind the plate (not shown).



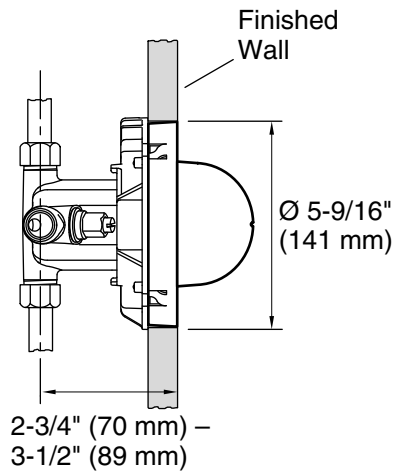
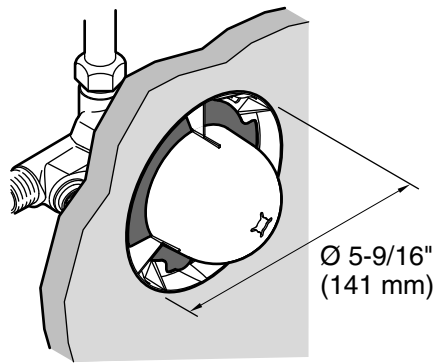
#### 4. Reassemble the Valve

- Slowly open the main water supply and flush the system before assembling the internal components.
- Turn off the water supply.
- Reinstall the stop assembly (if present) and the pressure balancing unit.
- Reinstall the cap assembly with the tab oriented up.
- **For reversed valves in back-to-back installations:** reinstall the cap assembly with the tab oriented down.
- Install the collar and secure with the screws.



## 5. Flush the System

- Remove the cap from one of the pipe nipples.
- Turn the valve stem clockwise to the full open position.
- Turn on the hot and cold water supplies. Check for leaks.
- Turn the valve stem counterclockwise to close.
- Reinstall the cap.
- Repeat for the second pipe nipple.
- Reinstall the cap.

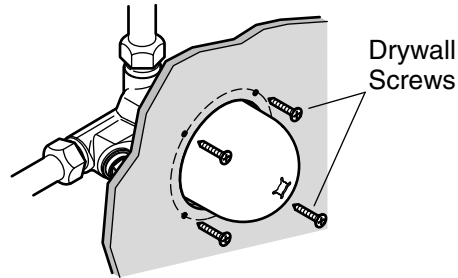
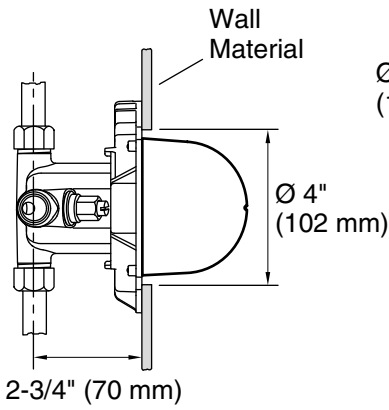
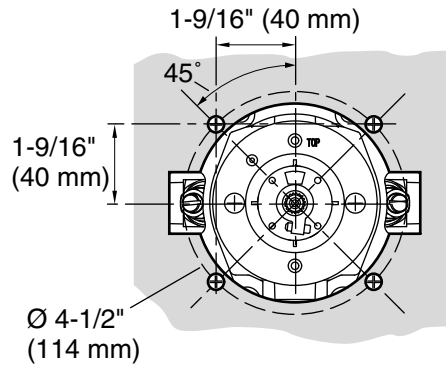
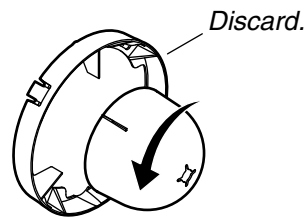


## 6. Install the Finished Wall

### Thick Wall

**NOTE:** The plaster guard can be used as a guide for marking the cutout.

- Cut a 5-9/16" (141 mm) hole in the wall material.
- Install the finished wall material.
- Leave the plaster guard in place at this time.



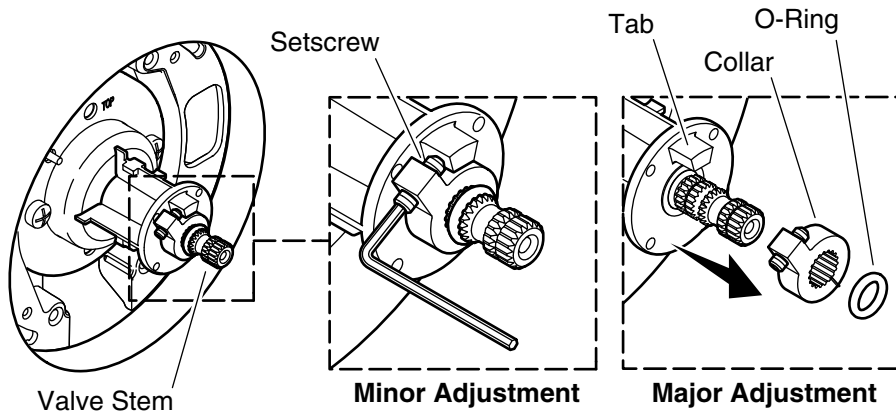
## 7. Install the Finished Wall

### Thin Wall

- ❑ Twist the dome of the plaster guard to separate it from the outer ring. Discard the outer ring.
- ❑ Slide the dome over the valve stem.

**NOTE:** The plaster guard dome can be used as a guide for marking the cutout.

- ❑ Cut a 4" (102 mm) hole in the wall material.
- ❑ **For Valves with Stops:** Using the holes in the valve backing plate as a guide, cut openings for the stops.
- ❑ Secure the wall material to the valve backing plate at the locations shown.
- ❑ Leave the plaster guard dome in place at this time.



## Temperature Limiting Adjustment



**CAUTION: Risk of personal injury.** The water temperature should never be set above 120°F (49°C).

- Turn the valve stem clockwise to the full open position. Allow the water to run for several minutes.
- Using a thermometer, check the water temperature.
- Turn off the water.

### Minor Temperature Adjustment

- Using a hex wrench, turn the setscrew clockwise to lower the temperature and counterclockwise to raise the temperature.
- Recheck the water temperature.

### Major Temperature Adjustment

- Remove the O-ring and collar from the valve stem.
- Slowly turn the valve stem until the water temperature is 120°F (49°C) or less.
- Leave the water running at the desired maximum temperature and reinstall the collar with the setscrew positioned against the tab.
- Turn off the water.
- Reinstall the O-ring.

## Warranty

### **KOHLER® Faucet Lifetime Limited Warranty**

Kohler Co. warrants its Faucets\* manufactured after January 1, 1997, to be leak and drip free during normal residential use for as long as the original consumer purchaser owns his or her home. If the Faucet should leak or drip during normal use, Kohler Co. will, free of charge, mail to the purchaser the cartridge necessary to put the Faucet in good working condition. This warranty applies only to Kohler Faucets installed in the United States of America, Canada or Mexico ("North America").

Kohler Co. also warrants all other aspects of the faucet or accessories ("Faucet")\*, (except gold, non-Vibrant®, non-chrome finishes) to be free of defects in material and workmanship during normal residential use for as long as the original consumer purchaser owns his or her home. This warranty applies only to Kohler Faucets installed in North America. If a defect is found in normal residential use, Kohler Co. will, at its election, repair, provide a replacement part or product, or make appropriate adjustment. Damage to a product caused by accident, misuse, or abuse is not covered by this warranty. Improper care and cleaning will void the warranty\*\*. Proof of purchase (original sales receipt) must be provided to Kohler Co. with all warranty claims. Kohler Co. is not responsible for labor charges, installation, or other incidental or consequential costs. In no event shall the liability of Kohler Co. exceed the purchase price of the Faucet.

If the Faucet is used commercially or is installed outside of North America, or if the finish is gold, non-Vibrant or a painted or powder coated color finish, Kohler Co. warrants the Faucet to be free from defects in material and workmanship for one (1) year from the date the product is installed, under Kohler Co.'s standard one-year limited warranty.

If you believe that you have a warranty claim, contact Kohler Co., either through your Dealer, Plumbing Contractor, Home Center or E-tailer, or by writing Kohler Co., Attn.: Customer Care Center, 444 Highland Drive, Kohler, WI 53044, USA. Please be sure to provide all pertinent information regarding your claim, including a complete description of the problem, the product, model number, color, finish, the date the product was purchased and from whom the product was purchased. Also include your original invoice. For other information, or to obtain the name and address of the service and repair facility nearest you, call 1-800-4-KOHLER (1-800-456-4537) from within the USA and Canada, and 001-800-456-4537 from within Mexico, or visit [www.kohler.com](http://www.kohler.com) within the USA, [www.ca.kohler.com](http://www.ca.kohler.com) from within Canada, or [www.mx.kohler.com](http://www.mx.kohler.com) in Mexico.

**KOHLER CO. AND/OR SELLER ARE PROVIDING THESE**

**Warranty (cont.)**

**WARRANTIES IN LIEU OF ALL OTHER WARRANTIES, EXPRESSED OR IMPLIED, INCLUDING BUT NOT LIMITED TO THE IMPLIED WARRANTIES OF MERCHANTABILITY AND FITNESS FOR A PARTICULAR PURPOSE. KOHLER CO. AND/OR SELLER DISCLAIM ALL LIABILITY FOR SPECIAL, INCIDENTAL OR CONSEQUENTIAL DAMAGES. Some states/provinces do not allow limitations of how long an implied warranty lasts or the exclusion or limitation of such damages, so these limitations and exclusions may not apply to you. This warranty gives the consumer specific legal rights. You may also have other rights that vary from state/province to state/province.**

**This is Kohler Co.'s exclusive written warranty.**

\*Trend® faucets, MasterShower® tower, BodySpa systems and components; WaterHaven® tower, systems and components; Tripoint® faucets, Polished Gold, non-Vibrant and painted or powder coated finishes, fittings; all items within the "Fixture Related" section of the Kohler Faucets Price Book, drains, Duostrainer® sink strainers, soap/lotion dispensers, Moxie™ Wireless Speaker; and faucets used in commercial settings, and outside North America, are covered by Kohler Co.'s one-year limited warranty.

\*\*Never use cleaners containing abrasive cleansers, ammonia, bleach, acids, waxes, alcohol, solvents or other products not recommended for chrome. This will void the warranty.



# Guide d'installation et d'entretien

## Baignoire à une poignée et vanne de douche

### INSTRUCTIONS IMPORTANTES

#### LIRE ET CONVERSER POUR LE CONSOMMATEUR



**AVERTISSEMENT:** Risque de brûlures ou d'autres blessures graves.

- Avant de commencer l'installation, l'installateur doit régler la température maximale de l'eau de ce régulateur afin de réduire au minimum les risques associés aux dangers de brûlures selon la norme ASTM F 444.
- Ne pas installer de dispositif d'arrêt sur les sorties de ce régulateur. L'installation d'un tel dispositif peut créer une condition de débit croisé au niveau du robinet et peut modifier la température de l'eau.
- Les facteurs qui changent la température de l'eau fournie à ce robinet, tels que les changements de température d'eau saisonniers, et le remplacement ou l'entretien du chauffe-eau, changeront la température maximale de l'eau fournie par la vanne et pourront présenter un danger de brûlures. La vanne de régularisation de pression **ne compense pas** les changements de température de l'eau fournie; lorsque de tels changements ont lieu, régler la température maximale de l'eau de cette vanne.
- Les vanne de régularisation de pression risquent de ne pas assurer de protection contre les brûlures en cas de défaillance d'autres dispositifs de limitation de température installés ailleurs sur le réseau de plomberie.

**AVIS:** Seuls des lubrifiants à base de silicone peuvent être appliqués sur ces robinets. Ne pas utiliser de lubrifiants à base de pétrole. Des lubrifiants à base de pétrole endommageront les joints toriques, les joints et les composants en plastique.

**L'installateur est responsable de l'installation de la vanne et du réglage de la température maximale de l'eau de cette vanne de régularisation de pression conformément aux instructions.**

## INSTRUCTIONS IMPORTANTES (cont.)

**Ce robinet répond aux exigences des normes ANSI A112.18.1 et ASSE 1016 ou les dépasse.**

Si les instructions d'installation ou de réglage de la température fournies dans le présent document ne sont pas bien comprises, contacter notre centre de service clientèle aux États-Unis à **1-800-4KOHLER**. En-dehors des É.-U., contacter le distributeur

Les raccords PEX des dispositifs 304-PX et 304-PS sont conçus pour utilisation avec toutes les bagues de compression en cuivre conformes à la norme ASTM F 1807 et toute tuyauterie PEX conforme à la norme ASTM F 887. Ces raccords ne sont pas compatibles avec les raccords d'expansion ASTM F 1960 avec ensembles de bagues de renforcement PEX.

Les raccords PEX de cette vanne ont été certifiés par une tierce partie, par la CSA, en utilisant ce qui suit: Bague de compression Sioux Chief 1/2" en cuivre et tuyauterie potable VANGUARD VANEX® 1/2" PEX certifiée CSA. Les compressions ont été fabriquées en utilisant un outil de sertissage Sioux Chief 1/2" conformément aux instructions de Sioux Chief.

Les connexions PEX des dispositifs 304-PX et 304-PS sont conçues pour utilisation avec tous les anneaux de retenue d'expansion à froid conformes à la norme ASTM F 1960 et toutes les tuyauteries PEX conformes à la norme ASTM F 887. Ces raccords ne sont pas compatibles avec la bague de renforcement de sertissage ASTM F 1807 en cuivre ou les ensembles de tuyauterie PEX.

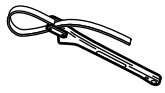
Les raccords PEX de cette vanne ont été certifiés par une tierce partie, par la CSA, en utilisant ce qui suit: Tuyauterie potable WIRSBO AQUAPEX 1/2", bagues de retenue à expansion à froid Uponor ProPEX 1/2" et l'outil d'expansion manuel Uponor ProPEX conformément aux instructions d'Uponor.

**AVIS IMPORTANT AUX INSTALLATEURS!** Remplir les vides dans la boîte d'information ci-dessous. Conserver ce guide pour référence future.

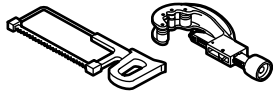
**AVIS AUX PROPRIÉTAIRES! Ce dispositif a été pré-réglé par \_\_\_\_\_ de \_\_\_\_\_ pour assurer une température maximale sécurisée. Toute modification de ce réglage peut augmenter la température d'évacuation au-delà de la limite considérée comme étant sécuritaire et causer des brûlures.**  
Date: \_\_\_\_\_

## INSTRUCTIONS IMPORTANTES (cont.)

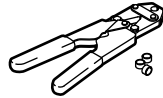
### Outils et matériaux



Clé à sangle



Scie à métaux  
ou coupe tubes



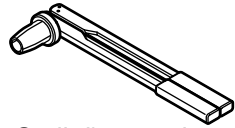
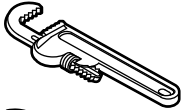
Outil d'assettage  
PEX (Optionnel)



Souder



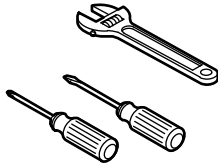
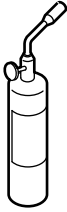
Clé hexagonale



Outil d'expansion  
de froid (Optionnel)



Ruban  
d'étanchéité



### Avant de commencer

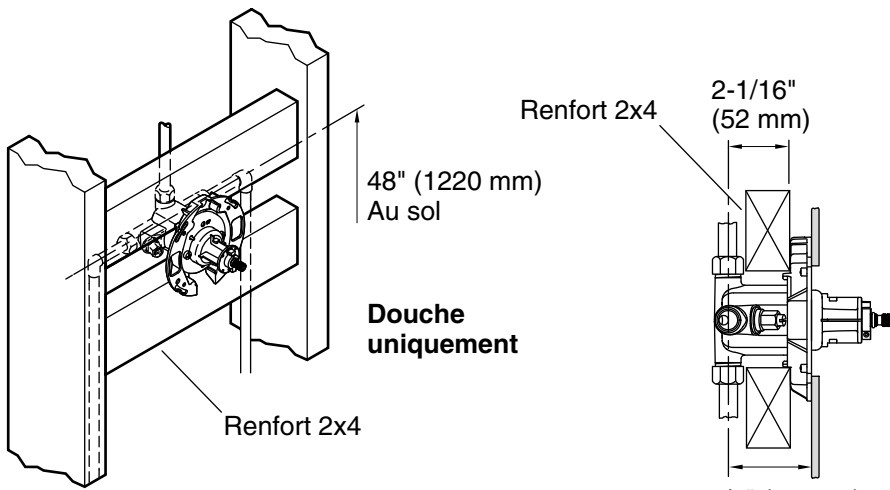


**ATTENTION: Risque de blessures.** La température de l'eau ne doit jamais être réglée à une température supérieure à 120°F (49°C).

**AVIS:** Seulement utiliser un tuyau en cuivre de 1/2" (Dia. ext. 5/8") (type L ou M) entre la vanne et le bec de la baignoire. L'utilisation d'autres matériaux pourrait créer une surpression et résulter en un écoulement d'eau simultané en provenance du bec de la pomme de la douche et de la baignoire.

**AVIS:** Ne pas forcer la poignée dans une quelconque direction. Le robinet subira des dommages si la poignée est forcée.

- Respecter tous les codes de plomberie et de bâtiment locaux.
- Couper l'arrivée d'eau principale.



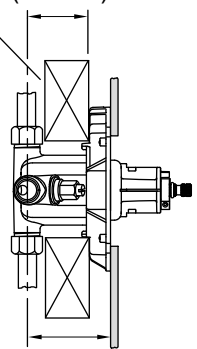
48" (1220 mm)  
Au sol

**Douche uniquement**

Renfort 2x4

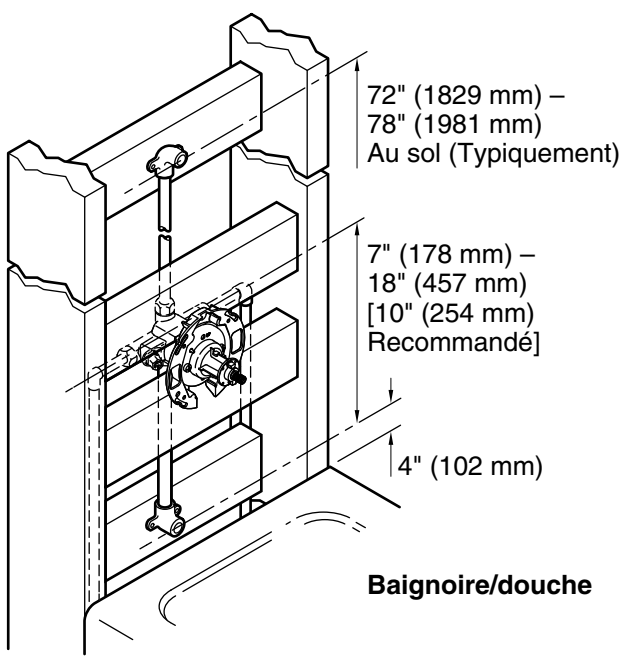
Renfort 2x4

2-1/16"  
(52 mm)



2-3/4" (70 mm)

**Mur fin**



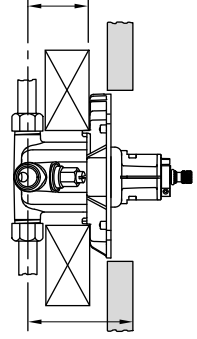
72" (1829 mm) –  
78" (1981 mm)  
Au sol (Typiquement)

7" (178 mm) –  
18" (457 mm)  
[10" (254 mm)  
Recommandé]

4" (102 mm)

**Baignoire/douche**

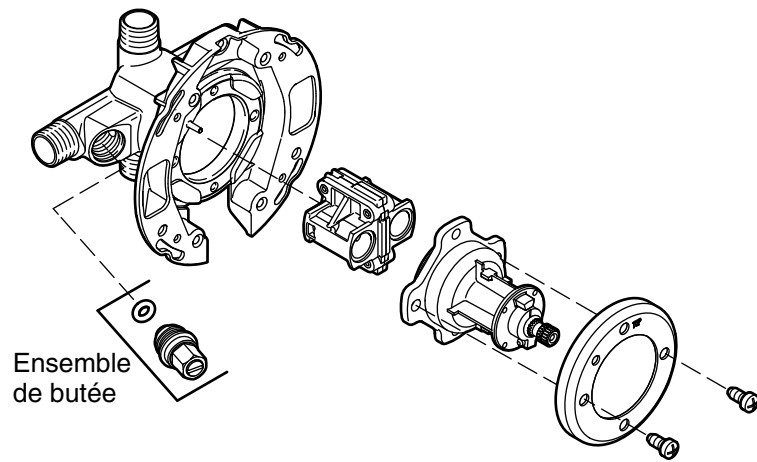
2-1/16"  
(52 mm)



2-3/4" (70 mm) –  
3-1/2" (89 mm)

**Mur épais**

**Plan de raccordement**



## 1. Préparer la vanne

**IMPORTANT!** Les composants internes de la vanne doivent seulement être retirés pour les installations dos à dos (vanne inversée seulement) ou les installations qui nécessitent le soudage des connexions.

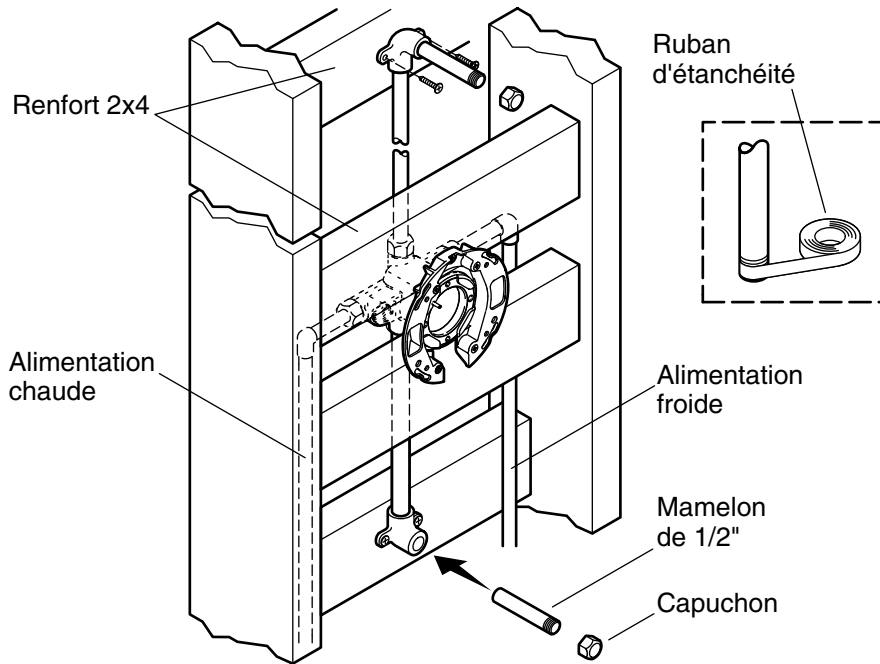
**REMARQUE:** Seulement les vannes munies de butées incluent l'ensemble de butée.

### Installations nécessitant un soudage

- Retirer le renfort de plâtre (non illustré).
- Retirer les composants internes de la vanne tel qu'illustré et les mettre de côté.

### Installations dos à dos

- Retirer le renfort de plâtre (non illustré).
- Pour la vanne inversée, retirer les composants internes tel qu'illustré, et les mettre de côté. L'ensemble de butée ne doit pas être retiré si aucune soudure ne s'avère nécessaire.



## 2. Positionner la vanne et acheminer la tuyauterie

### Installer le cadre de support

**REMARQUE:** La position du renforcement 2x4 dépend de l'épaisseur du mur fini. Se référer à la section "Plan de raccordement".

- Déterminer l'emplacement de la vanne et installer un renforcement 2x4 à l'arrière de la plaque porte-vanne.
- Installer le renforcement au niveau des emplacements d'installation du bec de la pomme de douche et de la baignoire.

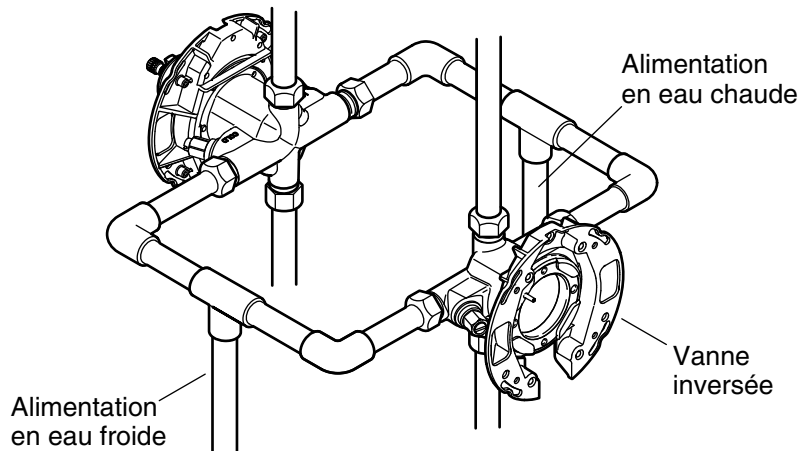
### Acheminer la tuyauterie et raccorder les alimentations

**IMPORTANT!** Ne pas utiliser plusieurs coudes sur la sortie du bec de la baignoire. Utiliser des adaptateurs filetés NPT de 1/2" ou souder le cuivre de 1/2" directement sur la sortie.

- Installer les conduits et les coudes de 1/2" sur les sorties du bec de la pomme de douche et de la baignoire. Utiliser du ruban d'étanchéité sur toutes les raccords filetés.
- Fixer la tuyauterie en place sur la charpente.

### **Positionner la vanne et acheminer la tuyauterie (cont.)**

- Connecter les conduits d'alimentation en eau en utilisant des composants en cuivre 1/2", en PVC-C, ou en PEX.
- Souder toutes les connexions nécessaires.
- Installer temporairement des mamelons de 1/2" sur les coudes de manière à ce qu'ils soient prolongés de 2" (51 mm) au moins au-delà du mur fini.
- Installer les capuchons sur les deux mamelons de conduits.



### 3. Installation dos à dos

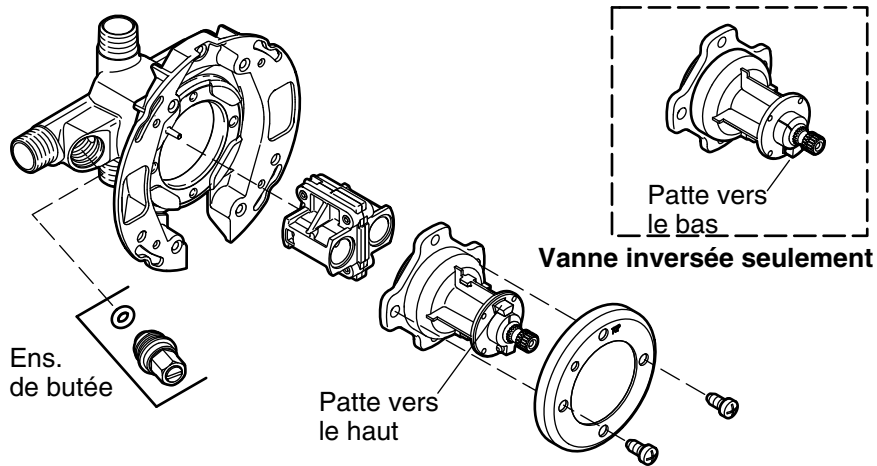
**AVIS:** Ne pas installer le corps de la vanne à l'envers.

- ❑ Acheminer les conduits et installer les vannes. Se reporter à l'illustration du plan de raccordement pour l'installation en question.

**REMARQUE:** Une vanne est munie de connexions d'alimentation inversée, de l'entrée d'alimentation en eau chaude vers "COLD" (Froid) et de l'entrée d'alimentation en eau froide vers "HOT" (Chaud).

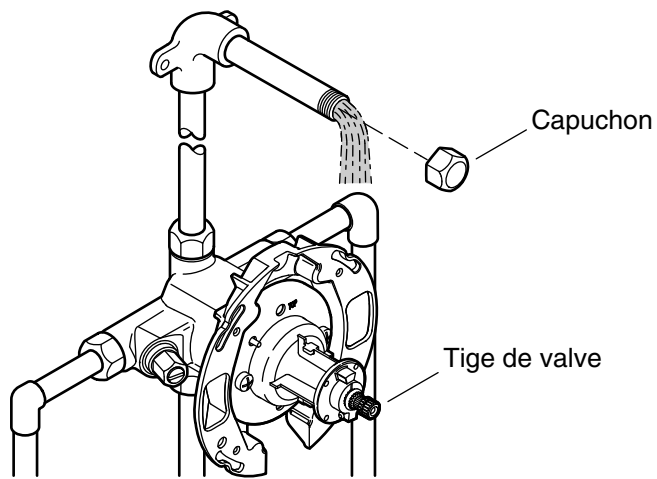
- ❑ Connecter les alimentations en eau tel qu'illustré. Utiliser du ruban d'étanchéité sur toutes les raccords filetés.
- ❑ Installer le renforcement 2x4 à l'arrière de la plaque (non illustré).





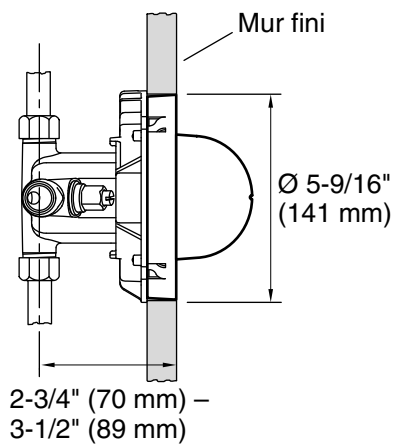
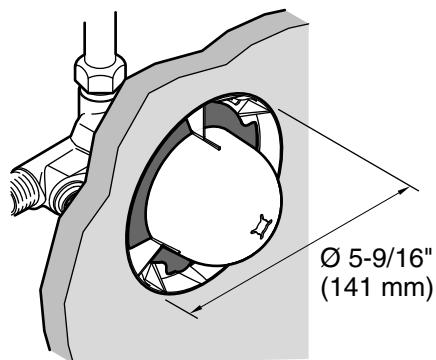
#### 4. Résassemblage de la vanne

- ❑ Ouvrir lentement l'alimentation en eau principale et purger le système avant d'assembler les composants internes.
- ❑ Fermer l'alimentation en eau.
- ❑ Réinstaller l'ensemble de butée (le cas échéant) et l'unité d'équilibrage de pression.
- ❑ Réinstaller l'ensemble de capuchon avec la patte dirigée vers le haut.
- ❑ **Pour les vannes inversées dans les installations dos-à-dos:** réinstaller l'ensemble de capuchon avec la patte dirigée vers le bas.
- ❑ Installer le collier et le fixer en place avec les vis.



## 5. Purger le système

- Retirer le capuchon des mamelons du conduit.
- Tourner la tige de la vanne dans le sens des aiguilles d'une montre en position entièrement ouverte.
- Ouvrir les alimentations en eau chaude et froide. Vérifier l'étanchéité.
- Tourner la tige de la vanne dans le sens contraire des aiguilles d'une montre pour fermer.
- Réinstaller le capuchon.
- Répéter cette procédure pour le deuxième mamelon de tuyau.
- Réinstaller le capuchon.

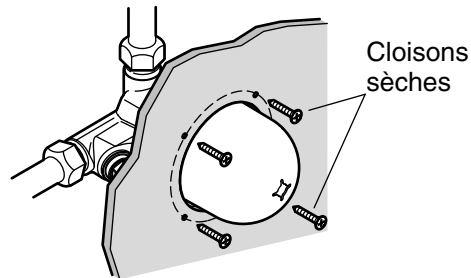
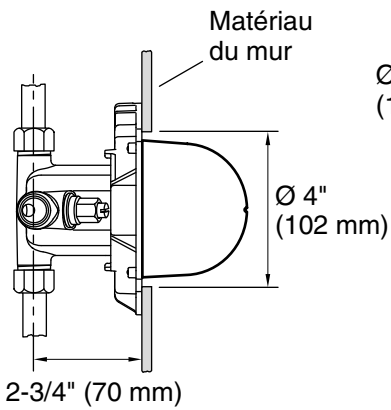
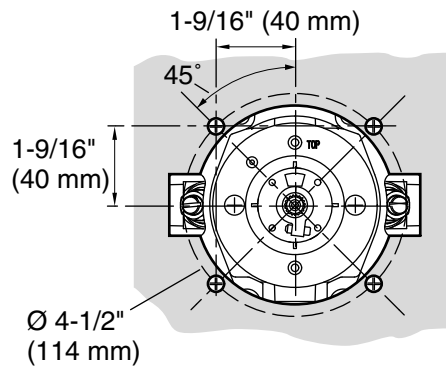
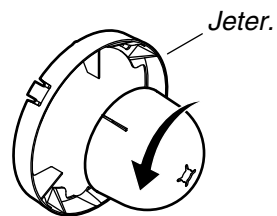


## 6. Installer le mur fini

### Mur épais

**REMARQUE:** Le renfort en plâtre peut être utilisé comme guide pour marquer le découpage.

- Découper un orifice de 5-9/16" (141 mm) dans le matériau du mur.
- Installer le matériau de la finition murale.
- Laisser le renfort en plâtre en place à ce point.



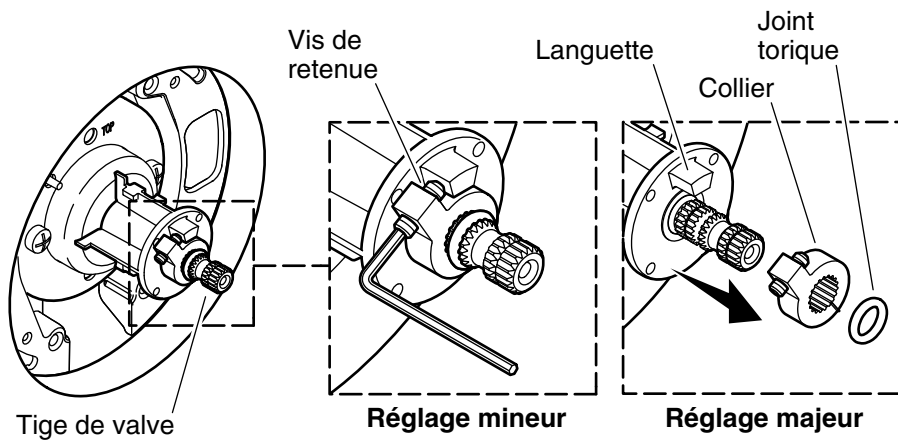
## 7. Installer le mur fini

### Mur mince

- Tordre le dôme du renfort en plâtre pour le séparer de l'anneau externe. Jeter la bague externe.
- Enfiler le dôme sur la tige du robinet.

**REMARQUE:** Le dôme du renfort en plâtre peut être utilisé comme guide pour marquer la découpe.

- Découper un orifice de 4" (102 mm) dans le matériau du mur.
- Pour les vannes avec butées:** Utiliser les orifices de la plaque d'appui de la vanne comme guide pour découper les ouvertures pour les butées.
- Fixer le matériau du mur sur la plaque d'appui de la vanne aux emplacements indiqués.
- Laisser le dôme de renfort en plâtre en place à ce point.



## Réglage de la température limite



**ATTENTION: Risque de blessures.** La température de l'eau ne doit jamais être réglée à une température supérieure à 120°F (49°C).

- Tourner la tige de la vanne dans le sens des aiguilles d'une montre en position entièrement ouverte. Laisser l'eau couler pendant plusieurs minutes.
- Utiliser un thermomètre pour vérifier la température de l'eau.
- Couper l'eau.

### Réglage mineur de la température

- Utiliser une clé hexagonale pour tourner la vis de retenue dans le sens des aiguilles d'une montre pour abaisser la température, et dans le sens contraire des aiguilles d'une montre pour élever la température.
- Vérifier à nouveau la température de l'eau.

### Réglage majeur de la température

- Retirer le joint torique et le collier de la tige de la vanne.
- Tourner lentement la tige de la vanne jusqu'à ce que la température de l'eau atteigne 120°F (49°C) ou moins.
- Laisser l'eau couler à la température maximum souhaitée, puis réinstaller le collier avec la vis d'arrêt positionnée contre la patte.
- Couper l'eau.

## Réglage de la température limite (cont.)

- Réinstaller le joint torique.

## Garantie

### Garantie limitée à vie du robinet KOHLER®

Kohler Co. garantit que les robinets\* fabriqués après le 1er janvier 1997 ne fuient pas et ne gouttent pas lors d'une utilisation domestique normale, aussi longtemps que l'acquéreur d'origine demeure propriétaire de son domicile. Si le robinet goutte ou présente des fuites lors d'une utilisation normale, Kohler Co. enverra par courrier à l'acheteur, sans frais, la cartouche nécessaire pour réparer le robinet. La présente garantie s'applique uniquement aux robinets Kohler installés aux États-Unis, au Canada ou au Mexique ("Amérique du Nord").

Kohler Co. garantit également toutes les autres caractéristiques du robinet ou des accessoires ("Robinet")\*, (à l'exception des finitions dorées, non-Vibrant®, non chromées) contre tout vice de matériau et de fabrication lors d'une utilisation domestique normale, aussi longtemps que l'acquéreur d'origine demeure propriétaire de son domicile. La présente garantie s'applique uniquement aux robinets Kohler installés en Amérique du Nord. Si un vice est décelé lors d'une utilisation domestique normale, Kohler Co. choisira, à sa discrétion, la réparation, le remplacement ou la rectification appropriée. Cette garantie n'offre pas de protection contre les dommages dus à un accident, une mauvaise utilisation ou un mauvais traitement. Un entretien et un nettoyage inadéquats annulent la garantie\*\*. Une preuve d'achat (ticket de caisse d'origine) doit être présentée à Kohler Co. avec toutes les réclamations au titre de la garantie. Kohler Co. n'est pas responsable des frais de main-d'œuvre, d'installation ou de tout autre frais particulier, accessoire ou indirect. La responsabilité de Kohler Co. ne dépassera en aucun cas le prix d'achat du robinet.

Si le robinet est utilisé dans un commerce ou s'il est installé en dehors d'Amérique du Nord, ou si la finition est dorée, non-Vibrant, peinte ou revêtue d'une poudre, Kohler Co. garantit le robinet contre tout vice de matériau et de fabrication pendant un (1) an à partir de la date d'installation du produit, selon les modalités de la garantie limitée standard d'un an de Kohler Co.

Pour toute réclamation au titre de la présente garantie, contacter Kohler Co. par l'intermédiaire du vendeur, plombier, centre de rénovation ou revendeur par internet, ou bien par écrit à l'adresse suivante Kohler Co., Attn.: Customer Care Center, 444 Highland Drive, Kohler, WI 53044, USA. Fournir tous les renseignements pertinents à la réclamation, dont notamment une description complète du problème et du produit, le numéro de modèle, la couleur, la finition, la date et le

## **Garantie (cont.)**

lieu d'achat du produit. Joindre également l'original de la facture. Pour de plus amples renseignements ou pour obtenir les coordonnées du service de réparation le plus proche, appeler le 1-800-4-KOHLER (1-800-456-4537) à partir des É.-U. et du Canada, et le 001-800-456-4537 à partir du Mexique, ou consulter le site [www.kohler.com](http://www.kohler.com) aux É.-U., [www.ca.kohler.com](http://www.ca.kohler.com) à partir du Canada, ou [www.mx.kohler.com](http://www.mx.kohler.com) au Mexique.

**KOHLER CO. ET/OU LE REVENDEUR FOURNISSENT CES GARANTIES AU LIEU ET PLACE DE TOUTES AUTRES GARANTIES, EXPRESSES OU TACITES, Y COMPRIS LES GARANTIES TACITES DE COMMERCIALITÉ ET D'ADAPTATION À UN USAGE PARTICULIER. KOHLER CO. ET/OU LE REVENDEUR DÉCLINENT TOUTE RESPONSABILITÉ CONTRE LES DOMMAGES PARTICULIERS, ACCESSOIRES OU INDIRECTS. Certains états et provinces ne permettent pas de limite sur la durée de la garantie tacite, ni l'exclusion ou la limite des dommages, et, par conséquent, lesdites limites et exclusions peuvent ne pas s'appliquer à votre cas. La présente garantie accorde au consommateur des droits juridiques particuliers. Vous pouvez également avoir d'autres droits qui varient d'un état ou d'une province à l'autre.**

**Ceci constitue la garantie écrite exclusive de Kohler Co.**

\*Les robinets Trend®, la colonne MasterShower®, les systèmes et éléments BodySpa; la colonne, les systèmes et les éléments WaterHaven®; les robinets Tripoint®, les finitions or poli, non-Vibrant et peintes ou à revêtement de poudre, les raccords, tous les articles de la section "Fixture Related" du catalogue des prix des robinets Kohler, les écoulements, les crépines d'évier Duostrainer®, les distributeurs de savon/lotion, le haut-parleur sans fil Moxie™ et les robinets utilisés dans des installations commerciales et en dehors de l'Amérique du Nord sont couverts par la garantie limitée d'un an de Kohler Co.

\*\*Ne jamais utiliser de nettoyants contenant des agents abrasifs, de l'ammoniaque, de l'eau de Javel, des acides, des cires, de l'alcool, des dissolvants ou autres produits non recommandés pour le chrome. Ceci annulera la garantie.

# Guía de instalación y cuidado

## Válvulas de bañera y ducha de una manija

### INSTRUCCIONES IMPORTANTES

## LÉALAS Y GUÁRDELAS PARA EL CLIENTE



**ADVERTENCIA:** Riesgo de quemaduras u otras lesiones graves.

- Antes de terminar la instalación, el instalador debe ajustar la temperatura máxima del agua en la válvula para reducir el riesgo de quemaduras, según la norma ASTM F 444.
- No instale un dispositivo de cierre en ninguna salida de esta válvula. La instalación de tales dispositivos puede producir contracorriente en la válvula y afectar la temperatura del agua.
- Los factores que cambian la temperatura del agua suministrada a la válvula, tales como los cambios de temperatura debido a las estaciones del año y el mantenimiento o reemplazo del calentador de agua, cambiarán la temperatura máxima del agua suministrada por la válvula y pueden causar quemaduras. La válvula reguladora de presión **no** compensará los cambios de temperatura del agua; ajuste la temperatura máxima del agua de esta válvula reguladora de presión cuando se produzcan tales cambios.
- Es posible que las válvulas reguladoras de presión no protejan contra las quemaduras si otros aparatos de limitación de la temperatura en el sistema de plomería no funcionan correctamente.

**AVISO:** Sólo aplique lubricantes con base de silicona a estas válvulas. No utilice lubricantes derivados del petróleo. Los lubricantes derivados del petróleo dañarán los arosellos, los sellos y los componentes de plástico.

**El instalador es responsable de instalar la válvula y ajustar la temperatura máxima del agua de esta válvula reguladora de presión según las instrucciones.**



## INSTRUCCIONES IMPORTANTES (cont.)

Esta válvula cumple o excede las normas ANSI A112.18.1 y ASSE 1016.

Si no comprende las instrucciones de instalación o de ajuste de temperatura contenidas en este documento, en los Estados Unidos por favor llame a nuestro Centro de Atención al Cliente, al 1-800-4KOHLER. Fuera de los EE.UU, comuníquese con su distribuidor.

Las conexiones de PEX en 304-PX y 304-PS están diseñadas para usarlas con cualquier anillo de compresión de cobre para tuberías de PEX que cumpla con la norma ASTM F 1807 y con tubería de PEX que cumpla con la norma ASTM F 887. Estas conexiones no son compatibles con las conexiones de expansión en frío ASTM F 1960 con montajes de anillos de refuerzo para tuberías de PEX.

Las conexiones de PEX de esta válvula tienen la certificación CSA por terceros cuando se utiliza lo siguiente: Anillo de compresión de cobre Sioux Chief de 1/2" y tubería PEX para agua potable con certificación CSA VANGUARD VANEX® de 1/2". La compresión de conectores se hizo utilizando unas pinzas para comprimir conectores de 1/2" Sioux Chief en cumplimiento con las instrucciones de Sioux Chief.

Las conexiones de PEX en 304-UX y 304-US están diseñadas para usarlas con cualquier anillo de retención de expansión en frío que cumpla con la norma ASTM F 1960 y con tubería de PEX que cumpla con la norma ASTM F 887. Estas conexiones no son compatibles con los anillos de refuerzo de compresión de cobre ASTM F 1807 y montajes de tubería de PEX.

Las conexiones de PEX de esta válvula tienen la certificación CSA por terceros cuando se utiliza lo siguiente: tubos de agua potable WIRSBO AQUAPEX de 1/2", anillos de retención de expansión en frío Uponor ProPEX de 1/2" y la herramienta expansora manual Uponor ProPEX según las instrucciones de Uponor.

**¡AVISO IMPORTANTE A LOS INSTALADORES!** Por favor, llene el cuadro de información abajo. Guarde esta Guía para referencia futura.

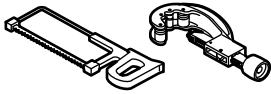
**¡AVISO AL USUARIO!** Este aparato fue preajustado por \_\_\_\_\_ de \_\_\_\_\_ para asegurar una temperatura máxima segura. Cualquier cambio en el ajuste puede aumentar la temperatura de salida por encima del límite considerado seguro y ocasionar quemaduras.  
Fecha: \_\_\_\_\_

## INSTRUCCIONES IMPORTANTES (cont.)

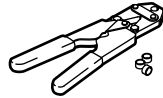
### Herramientas y materiales



Llave de correa



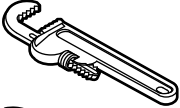
Sierra para metales o cortatubos



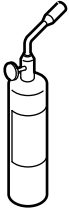
Pinzas para tubería de PEX (Opcional)



Suelda



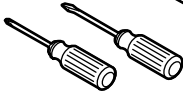
Llave hexagonal



Herramienta de expansión en frío (Opcional)



Cinta selladora



### Antes de comenzar

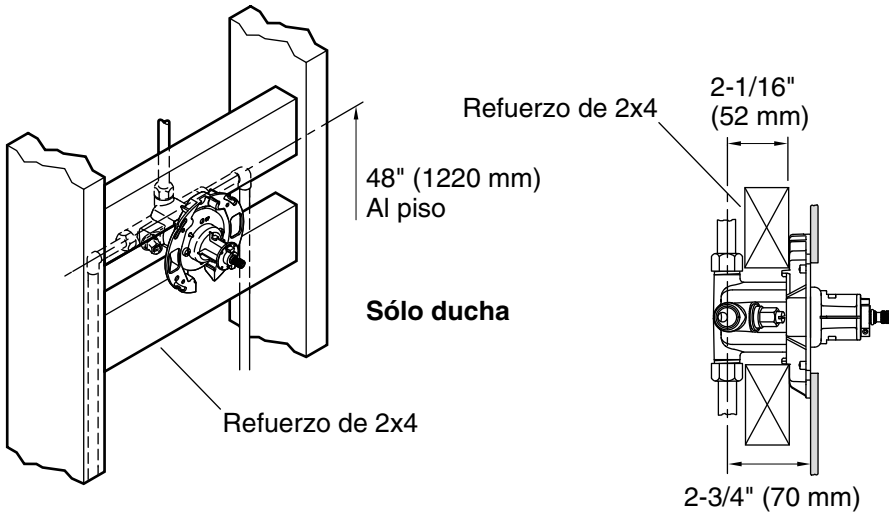


**PRECAUCIÓN: Riesgo de lesiones personales.** La temperatura del agua nunca debe ajustarse a más de 120°F (49°C).

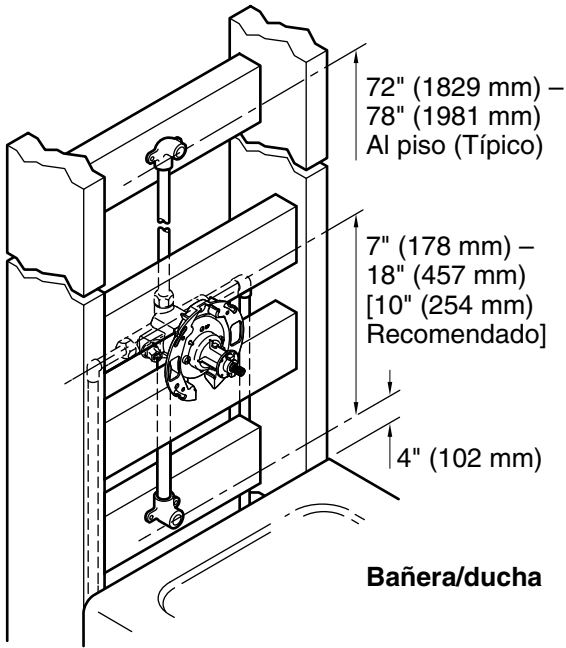
**AVISO:** Utilice sólo tubos de cobre de 1/2" (5/8" D.E.) (tipo L o M) entre la válvula y el surtidor de bañera. El uso de otros materiales puede causar contrapresión y ocasionar que fluya agua de la cabeza de ducha y del surtidor de la bañera al mismo tiempo.

**AVISO:** No fuerce la manija en ninguna dirección. Si fuerza la manija, dañará la válvula.

- Cumpla con todos los códigos locales de plomería y construcción.
- Cierre el suministro principal de agua.

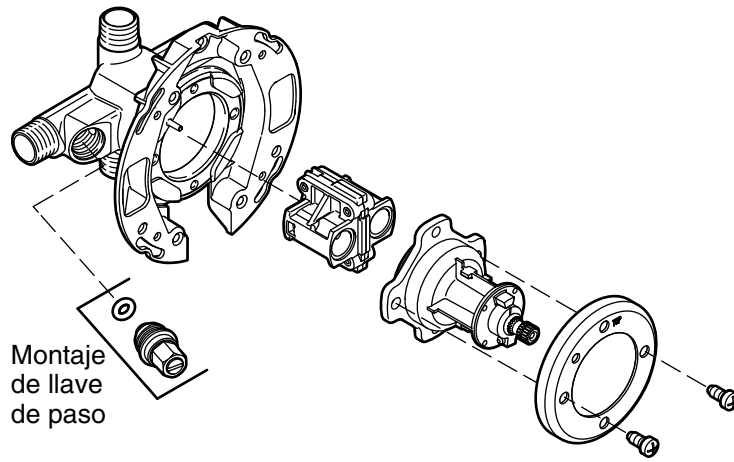


**Pared delgada**



**Pared gruesa**

**Diagrama de instalación**



## 1. Prepare la válvula

¡**IMPORTANTE!** Los componentes internos de la válvula sólo se tienen que retirar para instalaciones contiguas (sólo válvula invertida) o instalaciones que requieren soldadura de conexiones.

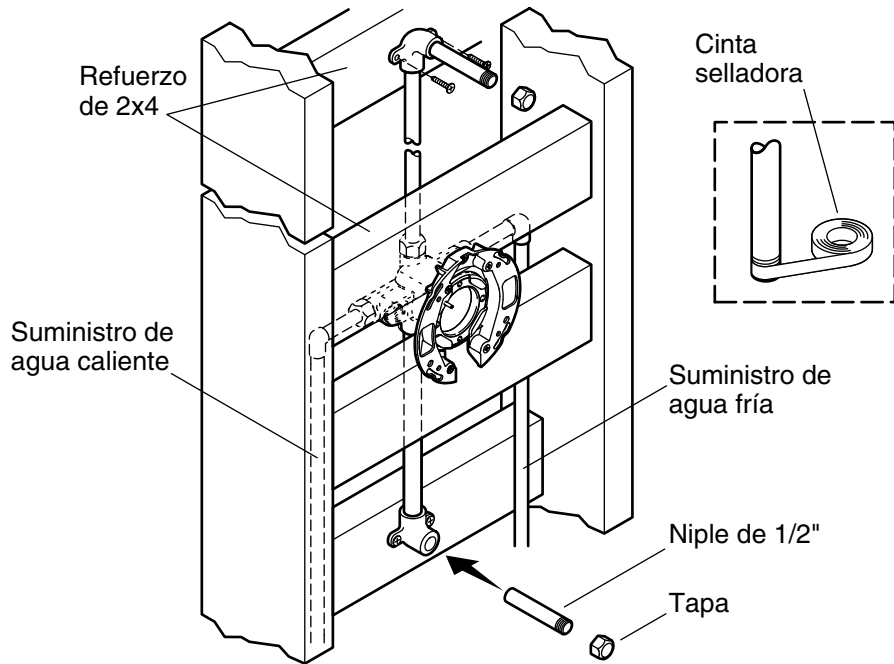
**NOTA:** Sólo válvulas con llaves de paso incluyen el montaje de llave de paso.

### Instalaciones que requieren soldadura

- Retire el protector de yeso (no se muestra).
- Retire los componentes internos de la válvula como se ilustra y coloque a un lado.

### Instalaciones contiguas

- Retire el protector de yeso (no se muestra).
- Para la válvula invertida, retire los componentes internos como se ilustra y coloque a un lado. No es necesario retirar el montaje de llave de paso si no se necesita soldar.



## 2. Coloque la válvula y tienda la tubería

### Instale la estructura de soporte

**NOTA:** La posición de los refuerzos de 2x4 depende del grosor de la pared acabada. Consulte la sección "Diagrama de instalación".

- Determina la ubicación de la válvula e instale el refuerzo de 2x4 detrás de la placa de la válvula.
- Instale los refuerzos en las ubicaciones de instalación de la cabeza de ducha y del surtidor de bañera.

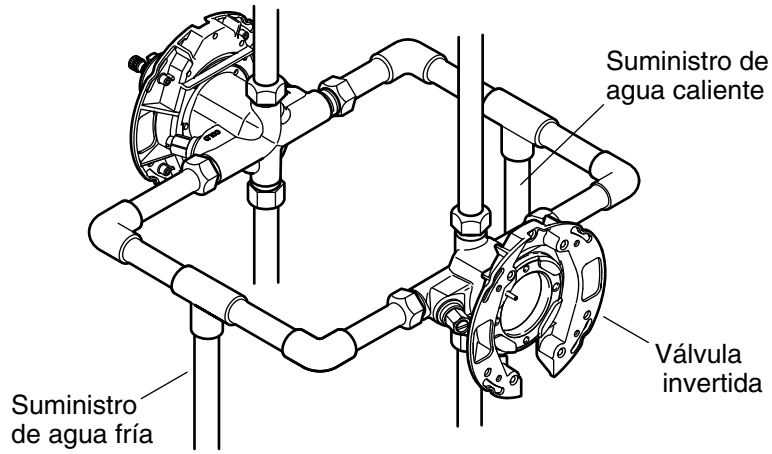
### Tienda la tubería y conecte los suministros

**¡IMPORTANTE!** No utilice codos múltiples en la salida del surtidor de la bañera. Utilice adaptadores con rosca NPT de 1/2" o suelde la tubería de cobre de 1/2" directamente a la salida.

- Instale tubería de 1/2" y codos en las salidas de la cabeza de ducha y del surtidor de la bañera. Utilice cinta selladora de roscas en todas las conexiones roscadas.
- Fije la tubería a la estructura de postes.

**Coloque la válvula y tienda la tubería (cont.)**

- Conecte los suministros de agua utilizando componentes de 1/2" de cobre, CPVC o PEX.
- Suelde todas las conexiones necesarias.
- Instale temporalmente niples de 1/2" en los codos para que sobresalgan por lo menos 2" (51 mm) de la pared acabada.
- Instale tapas en ambos niples.



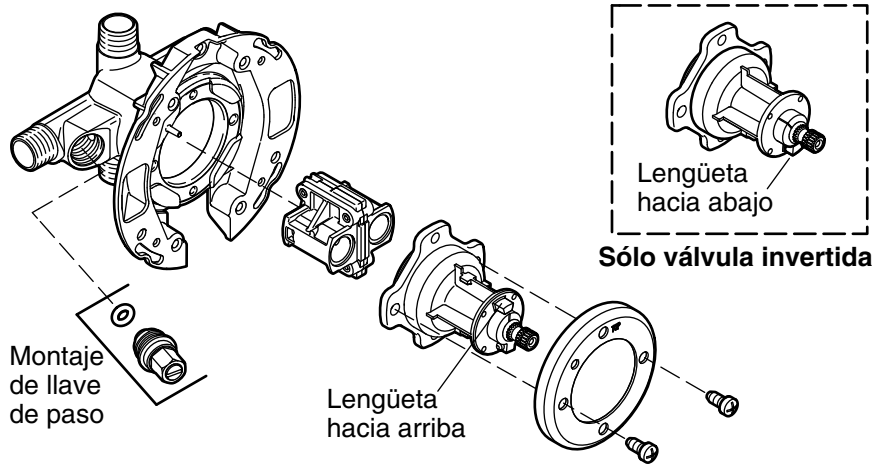
### 3. Instalación contigua

**AVISO:** No instale el cuerpo de la válvula boca abajo.

- Tienda los suministros e instale las válvulas. Consulte el diagrama de instalación para su instalación.

**NOTA:** Una válvula tendrá las conexiones de suministro invertidas, el suministro de agua caliente a la entrada de agua fría (identificada "COLD") y el suministro de agua fría a la entrada de agua caliente (identificada "HOT").

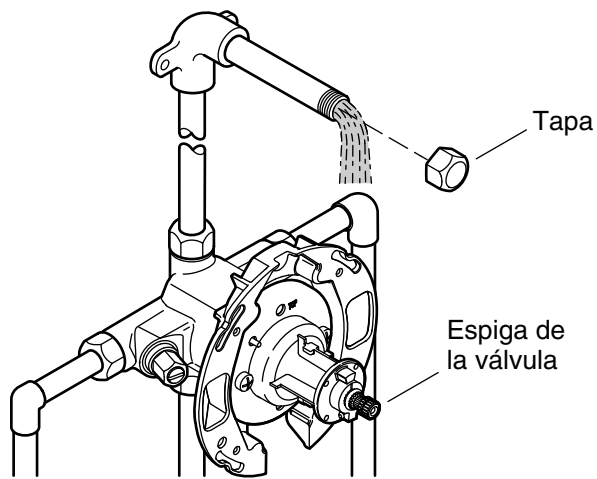
- Conecte los suministros de agua como se muestra. Utilice cinta selladora de roscas en todas las conexiones roscadas.
- Instale refuerzos de 2x4 detrás de la placa (no se muestra).



#### 4. Vuelva a ensamblar la válvula

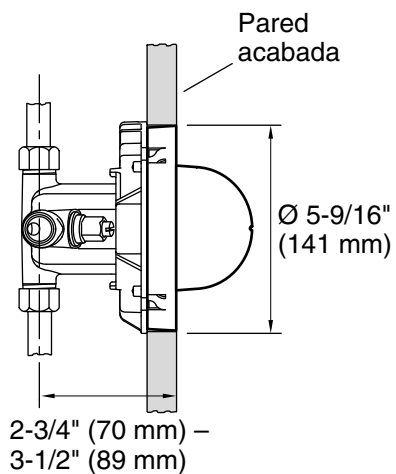
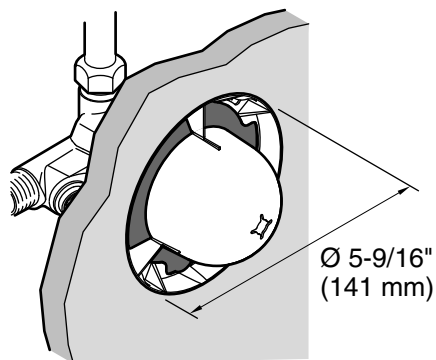
- ❑ Abra lentamente el suministro principal de agua y limpie el sistema haciendo correr agua antes de ensamblar los componentes internos.
- ❑ Cierre el suministro de agua.
- ❑ Vuelva a instalar el montaje de llave de paso (si lo hay) y la unidad de regulación de presión.
- ❑ Vuelva a instalar el montaje de la tapa con la lengüeta hacia arriba.
- ❑ **Para válvulas invertidas en instalaciones contiguas:** vuelva a instalar el montaje de tapa con la lengüeta hacia abajo.
- ❑ Instale el collarín y fije con los tornillos.





## 5. Haga circular agua para limpiar el sistema

- Retire la tapa de uno de los niples.
- Gire la espiga de la válvula hacia la derecha a la posición completamente abierta.
- Abra los suministros del agua fría y caliente. Verifique que no haya fugas.
- Gire la espiga de la válvula hacia la izquierda para cerrarla.
- Vuelva a instalar la tapa.
- Repita el procedimiento con el segundo niple.
- Vuelva a instalar la tapa.

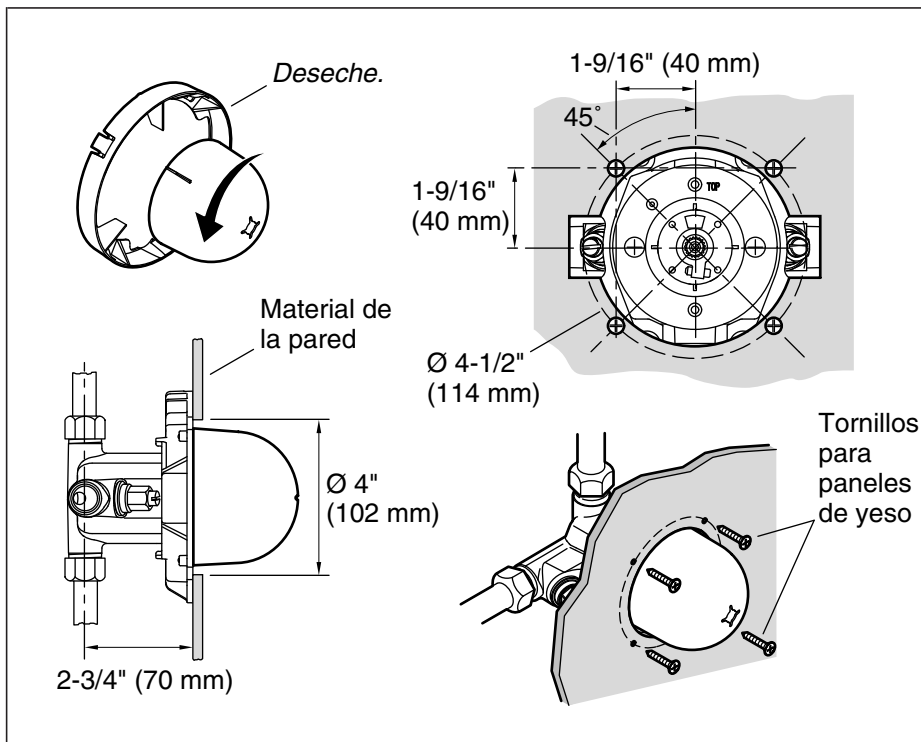


## 6. Instale la pared acabada

### Pared gruesa

**NOTA:** El protector de yeso se puede utilizar como guía para marcar la abertura.

- Corte un orificio de 5-9/16" (141 mm) en el material de la pared.
- Instale el material de acabado de la pared.
- Deje el protector de yeso en su lugar en este momento.



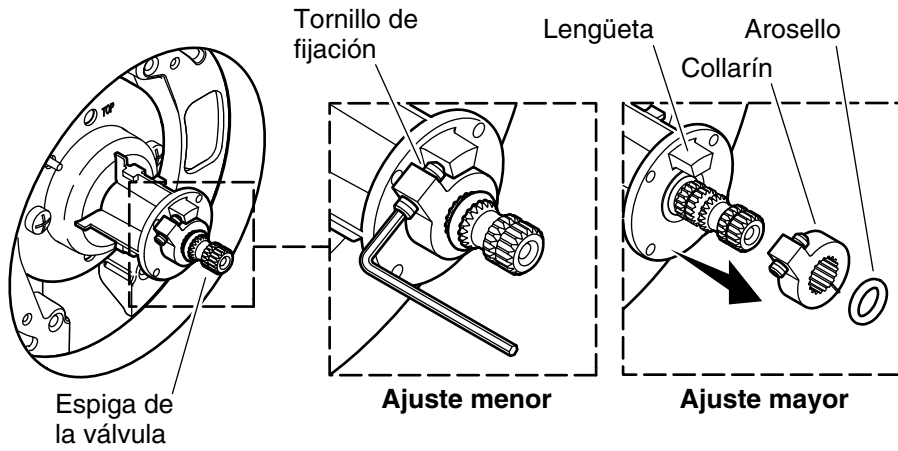
## 7. Instale la pared acabada

### Pared delgada

- Gire la cúpula del protector de yeso para separarla del anillo exterior. Deseche el anillo exterior.
- Deslice la cúpula sobre la espiga de la válvula.

**NOTA:** La cúpula del protector de yeso se puede utilizar como guía para marcar la abertura.

- Corte un orificio de 4" (102 mm) en el material de la pared.
- Para válvulas con llaves de paso:** Utilice los orificios de la placa de soporte de la válvula como guía para cortar las aberturas para las llaves de paso.
- Fije el material de la pared a la placa de soporte de la válvula en las ubicaciones indicadas.
- Deje el domo protector de yeso en su lugar en este momento.



## Ajuste del límite de temperatura



**PRECAUCIÓN:** Riesgo de lesiones personales. La temperatura del agua nunca debe ajustarse a más de 120°F (49°C).

- Gire la espiga de la válvula hacia la derecha a la posición completamente abierta. Deje que el agua corra durante varios minutos.
- Utilice un termómetro para verificar la temperatura del agua.
- Cierre el agua.

### Ajuste menor de temperatura

- Con una llave hexagonal, gire el tornillo de fijación hacia la derecha para bajar la temperatura y hacia la izquierda para elevar la temperatura.
- Vuelva a verificar la temperatura del agua.

### Ajuste mayor de temperatura

- Retire el arosello y el collarín de la espiga de válvula.
- Gire lentamente la espiga de la válvula hasta que la temperatura del agua sea 120°F (49°C) o menos.
- Deje correr agua a la temperatura máxima deseada y vuelva a instalar el collarín con el tornillo de fijación colocado contra la lengüeta.
- Cierre el agua.

## Ajuste del límite de temperatura (cont.)

- Vuelva a instalar el arosello.

## Garantía

### Garantía limitada de por vida para la grifería KOHLER®

Kohler Co. garantiza que la Grifería\* fabricada después del 1 de enero de 1997 está libre de problemas de fugas y goteo durante el uso residencial normal, mientras el comprador consumidor original sea el propietario de su casa. En caso de que la Grifería presente fugas o goteo durante el uso normal, Kohler Co. enviará por correo y sin ningún cargo al comprador original, el cartucho necesario para que la Grifería funcione correctamente. Esta garantía se aplica sólo a la Grifería Kohler instalada en los Estados Unidos de América, Canadá o México ("Norteamérica").

Kohler Co. también garantiza que todas las demás características de la grifería o accesorios ("Grifería")\*, (excepto los acabados de oro, que no sean Vibrant®, o que no sean de cromo) están libres de defectos de material y mano de obra, durante el uso residencial normal, mientras el comprador consumidor original sea el propietario de su casa. Esta garantía se aplica sólo a la Grifería Kohler instalada en Norteamérica. Si se encuentra un defecto durante el uso residencial normal, Kohler Co., a su criterio, reparará, proveerá un repuesto o producto, o realizará los ajustes pertinentes. Esta garantía no cubre daños causados por accidente, abuso o uso indebido del producto. El cuidado y la limpieza indebidos anularán la garantía\*\*. Al presentar las reclamaciones de garantía a Kohler Co., es necesario incluir la prueba de compra (recibo de venta original). Kohler Co. no se hace responsable de costos de mano de obra, instalación u otros costos incidentales o indirectos. En ningún caso la responsabilidad de Kohler Co. excederá el precio de compra de la Grifería.

Si la Grifería se utiliza comercialmente o se instala fuera del territorio de Norteamérica, o si el acabado es de oro, no es Vibrant o un acabado de color con revestimiento de pintura o polvo, Kohler Co. garantiza que la Grifería está libre de defectos de material y mano de obra por un (1) año, a partir de la fecha de instalación, bajo la garantía limitada de un año estándar de Kohler Co.

Si usted considera que tiene una reclamación en virtud de la garantía, comuníquese con Kohler Co. a través de su distribuidor, contratista de plomería, centro de remodelación o distribuidor por Internet, o escriba a Kohler Co., Attn.: Customer Care Center, 444 Highland Drive, Kohler, WI 53044, USA. Por favor, asegúrese de proporcionar toda la información pertinente a su reclamación, incluyendo una descripción completa del problema, el producto, el número de modelo, el color, el

## **Garantía (cont.)**

acabado, la fecha de compra y el lugar de compra del producto. También incluya el recibo original. Para información adicional, o para obtener el nombre y dirección del lugar de reparación y servicio más cercano a usted, llame al 1-800-4-KOHLER (1-800-456-4537) desde los EE.UU. y Canadá, y al 001-800-456-4537 desde México, o visite [www.kohler.com](http://www.kohler.com) desde los EE.UU., [www.ca.kohler.com](http://www.ca.kohler.com) desde Canadá, o [www.mx.kohler.com](http://www.mx.kohler.com) en México.

**KOHLER CO. Y/O EL VENDEDOR OFRECEN ESTAS GARANTÍAS QUE SUSTITUYEN TODAS LAS DEMÁS GARANTÍAS, EXPRESAS O IMPLÍCITAS, INCLUYENDO, ENTRE OTRAS, LAS GARANTÍAS IMPLÍCITAS DE COMERCIALIZACIÓN E IDONEIDAD PARA UN USO DETERMINADO. KOHLER CO. Y/O EL VENDEDOR DESCARGAN TODA RESPONSABILIDAD POR CONCEPTO DE DAÑOS PARTICULARES, INCIDENTALS O INDIRECTOS.**

**Algunos estados/provincias no permiten limitaciones en cuanto a la duración de una garantía implícita o a la exclusión o limitación de dichos daños, por lo que estas limitaciones y exclusiones pueden no aplicar a su caso. Esta garantía otorga al consumidor ciertos derechos legales específicos. Además, usted puede tener otros derechos que varían de estado a estado y provincia a provincia.**

**Ésta es la garantía exclusiva por escrito de Kohler Co.**

\*La grifería Trend®, la torre MasterShower®, los sistemas y componentes BodySpa, la torre, sistemas y componentes WaterHaven®, las griferías Tripoint®, el acabado en oro pulido, que no sea Vibrant y los acabados con revestimiento de pintura o en polvo, las conexiones, todos los artículos contenidos en la sección "Fixture Related" de la lista de precios de la grifería Kohler, los desagües, las coladeras de fregadero Duostrainer®, los dispensadores de jabón y loción, la bocina inalámbrica Moxie™; y la grifería de uso comercial e instalada fuera del territorio de Norteamérica, están cubiertos por la garantía limitada de un año de Kohler Co.

\*\*Nunca utilice limpiadores que contengan limpiadores abrasivos, amoníaco, blanqueador, ácidos, ceras, alcohol, disolventes u otros productos no recomendados para el cromo. Esto anulará la garantía.

1110626-2-J

USA/Canada: 1-800-4KOHLER

México: 001-800-456-4537

[kohler.com](http://kohler.com)

THE BOLD LOOK  
OF **KOHLER**®

©2013 Kohler Co.

1110626-2-J