



**Caravan® Conical Bell®**  
 Above-counter/Wall-mount Bathroom Sink  
**K-14223-SR2**

**Features**

- Vitreous china.
- Above-counter/wall-mount.
- Round bowl basin.
- Without overflow.
- No faucet holes; requires wall- or counter-mount faucet.
- KOHLER Artist Editions designs.
- Caravan® Collection Persia.
- 16-1/4" (413 mm) diameter



**Recommended Accessories**

- K-7114 Pop-Up Drain
- K-7129 Drain
- K-9018 P-Trap
- K-9655

**Components**

Additional included component/s: Adjustable linkage.

|     |          |     |
|-----|----------|-----|
| ADA | CSA B651 | OBC |
|-----|----------|-----|

**Codes/Standards**


- ASME A112.19.2/CSA B45.1
- ADA
- ICC/ANSI A117.1
- CSA B651
- OBC

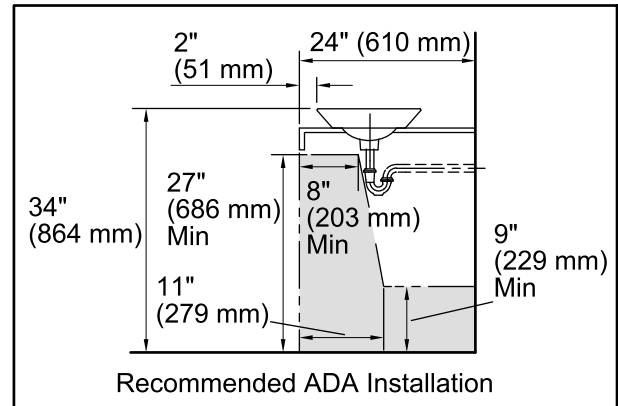
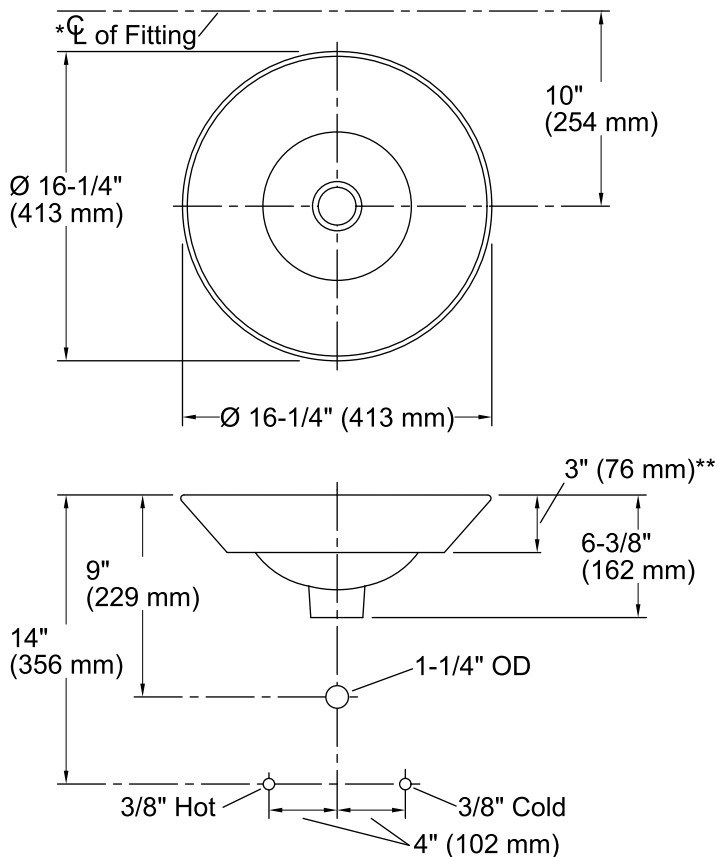
**KOHLER® One-Year Limited Warranty**

See website for detailed warranty information.

**Available Color/Finishes**

*Color tiles intended for reference only.*

| Color  | Code | Description |
|--|------|-------------|
|  | 0    | White       |



### Technical Information

All product dimensions are nominal.

|                     |  |
|---------------------|--|
| Bowl configuration: | Single   |
| Installation:       | Above-counter, Wall-mount                                  |
| Bowl area (Only)    | Diameter: 15-7/8" (403 mm)<br>Water depth: 4-1/4" (108 mm) |
| Drain hole:         | 1-3/4" (44 mm)   |
| Template:           | Above-counter, 1002980-7, required, included               |

### Notes

Install this product according to the installation guide.

\*Spout must be 5" (127 mm) long (min) for adequate clearance into the bathroom sink when installed with centerline as shown.

NOTICE: Countertop manufacturer or cutter must use the cut-out template provided with the product, or a current one provided by Kohler Co. (call 1-800-4-KOHLER). Kohler Co. is not responsible for cut-out errors when the incorrect cut-out template is used.

ADA, OBC, CSA B651 compliant when installed to the specific requirements of these regulations.