



## Botanical Study™ Caxton®

Under-mount Bathroom Sink

K-14218-BT

### Features

- Vitreous china.
- Under-mount.
- Deep oval basin.
- Without overflow.
- No faucet holes; requires wall- or counter-mount faucet.
- KOHLER Artist Editions designs.
- Botanical Study design.
- 17" (432 mm) x 14" (356 mm)

### Recommended Accessories

K-9018 P-Trap

### Components

Additional included component/s: Basin clamp assembly.



ADA

### Codes/Standards

ASME A112.19.2/CSA B45.1

ADA

ICC/ANSI A117.1


### KOHLER® One-Year Limited Warranty

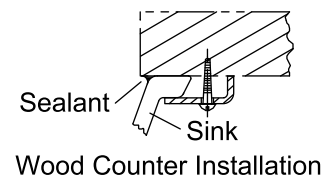
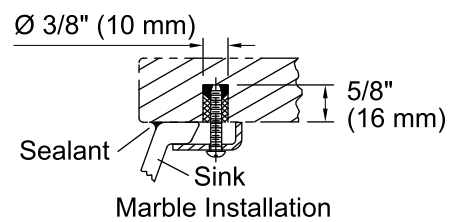
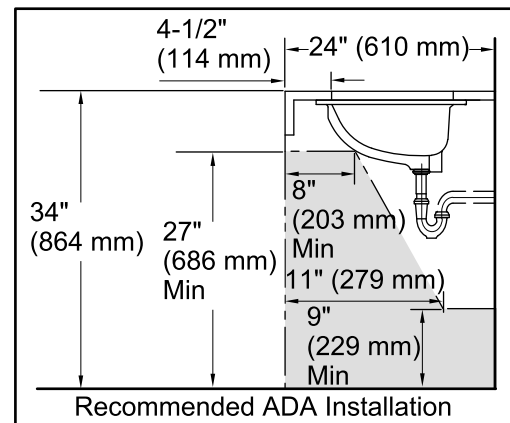
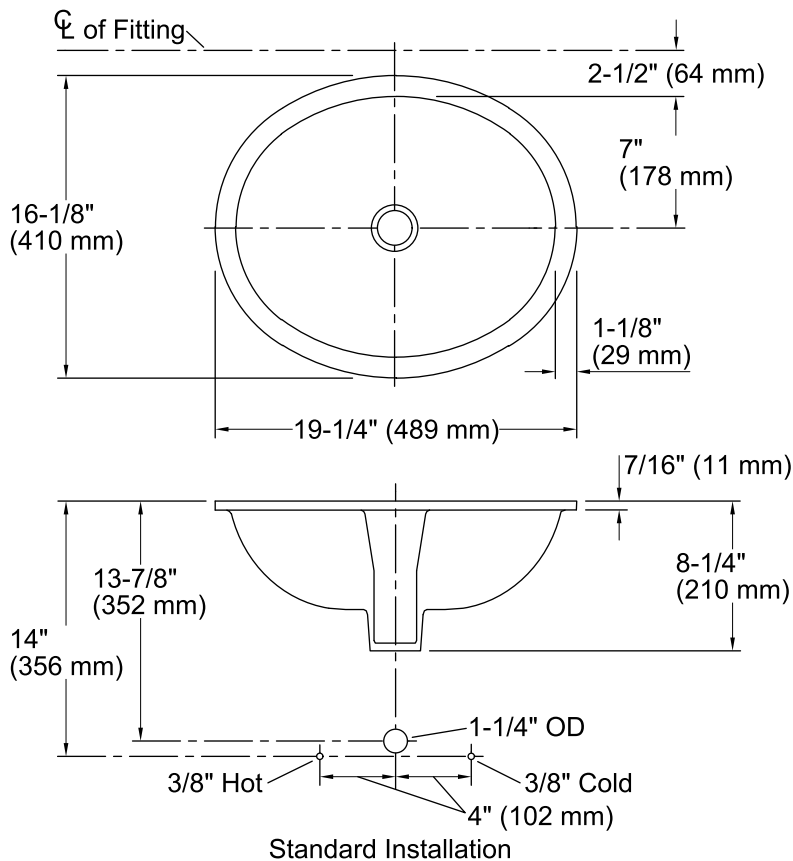
See website for detailed warranty information.

### Available Color/Finishes

*Color tiles intended for reference only.*

Color	Code	Description
-------	------	-------------

	0	White
--	---	-------



### Technical Information

All product dimensions are nominal.

Bowl configuration:	Single
Installation:	Under-mount
Bowl area (Only)	Length: 17" (432 mm) Width: 14" (356 mm) Water depth: 6-3/8" (162 mm)
Drain hole:	1-3/4" (44 mm)
Template:	Under-mount, 1151011-7, required, included

### Notes

Install this product according to the installation guide.

**NOTICE:** Countertop manufacturer or cutter must use the current product template available at [www.kohler.com](http://www.kohler.com), or by calling 1-800-4KOHLER. Kohler Co. is not responsible for cutout errors when the incorrect cutout template is used.

ADA compliant when installed to the specific requirements of these regulations.