

### Features

- Metal construction.
- One-piece, self-contained ceramic disc valve allows both volume and temperature control.
- Temperature memory allows faucet to be turned on and off at any temperature setting.
- High-temperature limit setting for added safety.
- 4-1/4" (108 mm) spout reach.
- Stationary spout.
- Lever handle.
- Metal throat plate.
- For 4" (102 mm) centers.
- Pop-up drain with tailpiece.
- Flexible supplies.
- 1.5 gal/min (5.7 l/min) maximum flow rate [max at 60 psi (4.14 bar)].

### Optional Accessories

1160594



**ADA** **CSA B651** **OBC**

### Codes/Standards

ASME A112.18.1/CSA B125.1

NSF 61

NSF 372

DOE - Energy Policy Act 1992

EPA WaterSense®

ADA

ICC/ANSI A117.1

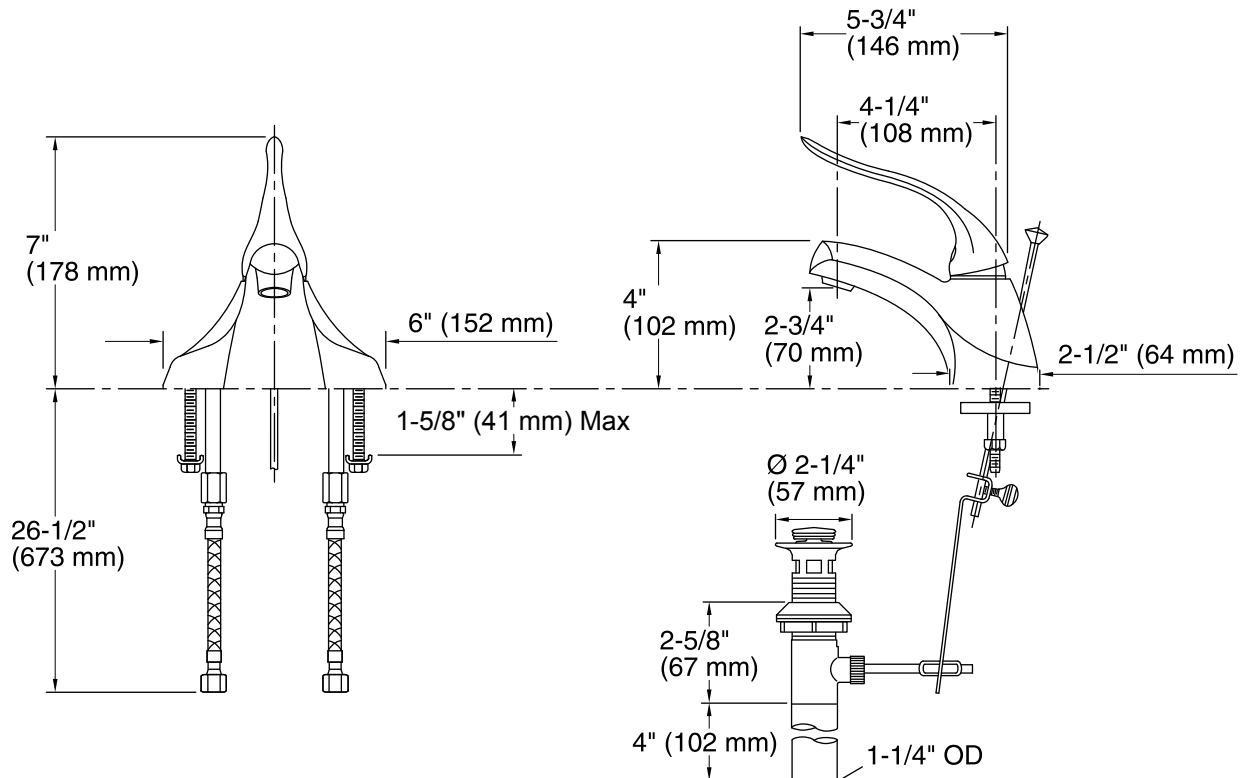
CSA B651

OBC

All applicable US Federal and State material regulations

### KOHLER® One-Year Limited Warranty

See website for detailed warranty information.



**Pop-Up Drain**

#### Technical Information

All product dimensions are nominal.

Spout reach: 4-1/4" (108 mm)

Drain included: YES

Drain tailpiece included: YES

#### Faucet:

Flow rate: 1.5 gal/min (5.7 l/min)

Pressure: 60 psi (4.1 bar)

#### Notes

Install this product according to the installation guide.

ADA, OBC, CSA B651 compliant when installed to the specific requirements of these regulations.