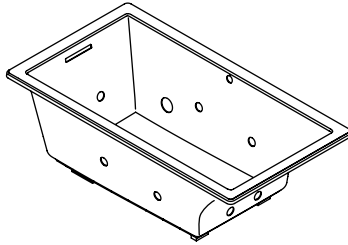


Homeowners Guide

Bath Whirlpool

K-1173



Write model number here:

Écouter le numéro du modèle ici:

Escriba el número del modelo aquí: _____

M product numbers are for Mexico (i.e. K-12345M)

Los números de productos seguidos de M corresponden a México

(Ej. K-12345M)

Français, page "Français-1"

Español, página "Español-1"

THE BOLD LOOK
OF **KOHLER**

1167576-5-A

IMPORTANT SAFETY INSTRUCTIONS

INSTRUCTIONS PERTAINING TO A RISK OF FIRE, ELECTRICAL SHOCK, OR INJURY TO PERSONS

READ AND FOLLOW ALL INSTRUCTIONS

SAVE THESE INSTRUCTIONS



DANGER: Risk of personal injury. To reduce the risk of injury, do not permit children to use this unit unless they are closely supervised at all times.



WARNING: Risk of personal injury. To avoid injury, exercise care when entering or exiting the whirlpool.



WARNING: When using electrical products, basic precautions should always be followed, including the following:



WARNING: Risk of electric shock. Do not permit electric appliances (such as a hair dryer, lamp, telephone, radio, or television) within 5' (1.5 m) of this whirlpool.



WARNING: The use of alcohol, drugs, or medication can greatly increase the risk of fatal hyperthermia. Prolonged immersion in hot water may induce hyperthermia. Hyperthermia occurs when the internal temperature of the body reaches a level several degrees above the normal body temperature of 98.6°F (37°C). The symptoms of hyperthermia include an increase in the internal temperature of the body, dizziness, lethargy, drowsiness, and fainting. The effects of hyperthermia include: (a) failure to perceive heat, (b) failure to recognize the need to exit the bath, (c) unawareness of impending hazard, (d) fetal damage in pregnant women, (e) physical inability to exit the bath, and (f) unconsciousness resulting in the danger of drowning.



WARNING: Risk of hyperthermia. People using medications and/or having an adverse medical history should consult a physician before using a whirlpool equipped with a heater.



WARNING: Risk of scalding. Do not allow the water temperature in the whirlpool to exceed 104°F (40°C).

The heater will automatically maintain the water temperature when the whirlpool is running, as long as the water temperature does not exceed 104°F (40°C). The heater will disengage at higher temperatures.

An equipment grounding terminal is provided in the field wiring compartment. To reduce the risk of electric shock, this terminal must be connected to the grounding means provided in the electric supply panel with a conductor equivalent in size to the circuit conductors supplying this whirlpool.

A pressure wire connector is provided on the exterior of the pump or control within this unit to permit connection of a bonding conductor between this unit and all other exposed metal in the vicinity, as needed to comply with local requirements.

Use this whirlpool only for its intended purpose as described in this guide. Do not use attachments not recommended by the manufacturer.

Never drop or insert any object into any opening. Keep small objects such as bath toys and bathing accessories out of the whirlpool while the unit is running.

Do not operate this unit without the guard (cover) over the suction fitting.

The whirlpool must be connected only to a supply circuit that is protected by a Ground-Fault Circuit-Interrupter (GFCI) or Residual Current Device (RCD). Such a GFCI or RCD should be provided by the installer and should be tested on a routine basis. To test the GFCI or RCD, press the test button. The GFCI or RCD should interrupt power. Press the reset button. Power should be restored. If the GFCI or RCD fails to operate in this manner, the GFCI or RCD is defective. If the GFCI or RCD interrupts power to the bath without the test button being pressed, a ground current is flowing, indicating the possibility of an

IMPORTANT SAFETY INSTRUCTIONS (cont.)

electric shock. Do not use this whirlpool bath. Disconnect the whirlpool and have the problem corrected by a qualified service representative before using.

Flush your whirlpool system twice a month or more depending upon usage, as described in the "Flush System" section of this guide.

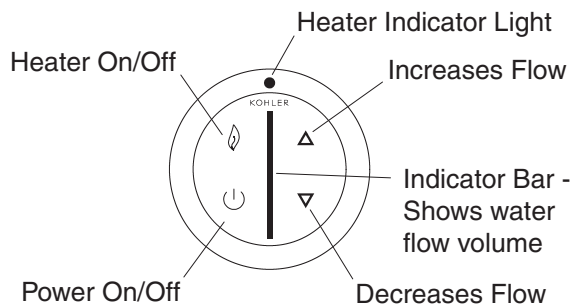
Repeated use of personal care products containing oils can damage plastic whirlpool components. Do not use heavy, vegetable-based shampoos or bath oils.

Whirlpool hydro-massage action can cause even a small amount of bubble bath, bath soap, shampoo, or bath oil to foam excessively. For this reason, please don't use these products during whirlpool operation.

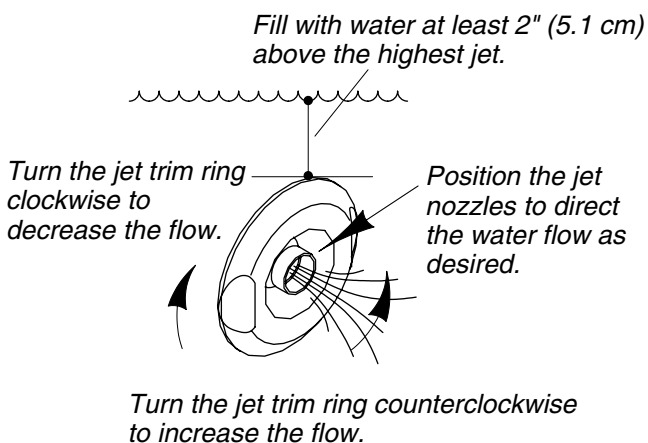
Components

Your new whirlpool is designed to stimulate, invigorate, and energize your body with comforting hydro-massage therapy. The whirlpool consists of the following components:

- **Lighted User Keypad** - Located within easy reach, allows you to turn the pump and heater on and off and regulate the water flow through the jets.
- **Pump Motor** - Provides quiet, variable speed power to circulate the water.
- **Adjustable Jets** - Positioned to optimize their hydro-massage effect, the jets allow you to adjust the air and water flow and control the flow direction as you desire.
- **Heater** - Automatically helps maintain a 104°F (40°C) water temperature, turns on when the whirlpool is operating, and turns off when the pump motor is turned off. Using the lighted user keypad, the heater may be turned off at any time while the pump is operating.



Lighted User Keypad



Operating Your Whirlpool

Power	Turns the whirlpool pump on and off.
Up Arrow	Increases the water flow.
Down Arrow	Decreases the water flow.
Heater	Automatically engages when the whirlpool pump is powered on. Press the heater button once to turn the heater off. Press the button a second time to turn the heater back on.
Indicator Bar	Displays the water flow volume.

NOTE: If the whirlpool is not operating properly, consult the "Troubleshooting" section of this guide before calling a qualified service representative.

Whirlpool

- Turn the jet trim fully counterclockwise. Position the jet nozzles so they face down toward the basin.

NOTICE: Do not allow the water temperature in the whirlpool to exceed 104°F (40°C). The heater will automatically maintain the water temperature when the whirlpool is running, as long as the water temperature does not exceed 104°F (40°C). The heater will disengage at higher temperatures.

- Close the drain, then fill the whirlpool to a level at least 2" (5.1 cm) above the highest jet. Using your hand, test the water temperature for comfort and safety. Carefully enter the bath.
- Press the power icon to turn on the whirlpool pump and heater. Water will flow at medium volume.
- Press the up or down arrow icons to increase or decrease the water flow. The indicator bar will display the water flow volume.
- Adjust the jets for optimum air/water mixture. Turn the jet trim clockwise to reduce the flow or counterclockwise to increase the flow. If desired, position the jet nozzles to direct the water flow to maximize your hydro-massage experience.
- If desired, turn the heater off by pressing the heater icon. Press the button a second time to turn the heater back on.
- Press the power icon a second time to turn off the whirlpool pump and heater.

NOTE: The pump and heater will automatically stop after approximately 20 minutes of continuous operation. If desired, press the power icon to reactivate the pump and heater.

- Carefully exit the bath, then open the drain to empty the whirlpool.

Care and Cleaning

For best results, keep the following in mind when caring for your KOHLER product:

- Always test your cleaning solution on an inconspicuous area before applying to the entire surface.
- Wipe surfaces clean and rinse completely with water immediately after applying cleaner. Rinse and dry any overspray that lands on nearby surfaces.
- Do not allow cleaners to soak on surfaces.
- Use a soft, dampened sponge or cloth. Never use an abrasive material such as a brush or scouring pad to clean surfaces.

For detailed cleaning information and products to consider, visit www.kohler.com/clean. To order Care & Cleaning information, call 1-800-456-4537.

Flush the System

NOTE: Flush your whirlpool system twice a month or more, depending upon usage.

- Turn the jet trim rings fully clockwise to remove air induction.
- Fill the whirlpool with warm water to a level at least 2" (5.1 cm) above the highest jets, or leave water in the whirlpool after using.
- Add 2 teaspoons (10 ml) of a low-foaming, powder automatic dishwasher detergent and 20 ounces (590 ml) of household bleach (5% - 6% sodium hypochlorite) to the water.
- Run the whirlpool for 5 to 10 minutes. Turn off the whirlpool and drain.
- If desired, rinse the bath surfaces with water.
- Rinse the surfaces of the jets, faucet, handrails, and drain, and wipe them dry with a soft cloth.

Warranty

ONE-YEAR LIMITED WARRANTY

KOHLER plumbing products are warranted to be free of defects in material and workmanship for one year from date of installation.

Kohler Co. will, at its election, repair, replace or make appropriate adjustment where Kohler Co. inspection discloses any such defects occurring in normal usage within one (1) year after installation. Kohler Co. is not responsible for removal or installation costs. **Use of in-tank toilet cleaners will void the warranty.**

To obtain warranty service contact Kohler Co. either through your Dealer, Plumbing Contractor, Home Center or E-tailer, or by writing Kohler Co., Attn.: Customer Care Center, 444 Highland Drive, Kohler, WI 53044, USA, or by calling 1-800-4-KOHLER (1-800-456-4537) from within the USA and Canada, and 001-800-456-4537 from within Mexico, or visit www.kohler.com within the USA, www.ca.kohler.com from within Canada, or www.mx.kohler.com in Mexico.

IMPLIED WARRANTIES INCLUDING THAT OF MERCHANTABILITY AND FITNESS FOR A PARTICULAR PURPOSE ARE EXPRESSLY LIMITED IN DURATION TO THE DURATION OF THIS WARRANTY. KOHLER CO. AND/OR SELLER DISCLAIM ANY LIABILITY FOR SPECIAL, INCIDENTAL OR CONSEQUENTIAL DAMAGES. Some states/provinces do not allow limitations on how long an implied warranty lasts, or the exclusion or limitation of special, incidental or consequential damages, so these limitations and exclusions may not apply to you. This warranty gives you specific legal rights. You may also have other rights which vary from state/province to state/province.

This is Kohler Co.'s exclusive written warranty.

Warranty

For Mexico

KOHLER CO.

It is recommended that at the time of purchase, you verify that all accessories and components are complete in this package.

This Kohler product is warranted to be free of defects in material and workmanship for one (1) year from the date of purchase as shown on the invoice or receipt.

1. Kohler Co. will only service its commercialized products through its authorized distributors.
2. To obtain warranty service, please present the invoice and corresponding warranty.
3. Through its authorized distributors, Kohler Co. promises to repair the defective product or provide a new replacement or an equivalent model (in those cases that the model has been discontinued) when the product is beyond repair, without any charge to the consumer.
4. The time of repair will not exceed six (6) weeks commencing on the date the product is received.
5. It is recommended that the consumer save the invoice or receipt as additional protection, as it may substitute the warranty in the case that there is a discrepancy in the validity of the warranty.

EXCEPTIONS AND RESTRICTIONS

The Warranty will not be valid in the following cases:

1. When the product is not operated in accordance with the instructions concerning use and operation set forth in the owner's manual or installation instructions, and when the recommendations and warnings included are not observed.
2. When the product has been modified or dismantled partially or totally; or has been used in a negligent fashion and as a consequence has suffered damages attributable to the consumer, individual, or hardware not authorized by Kohler Co.
3. This warranty does not cover the damages as a result of disaster such as fire or acts of God, including flooding, earthquake, or electric storms, etc. To obtain a list of distributors in your area where you can exercise your rights under this warranty, please call 001-800-456-4537.

KOHLER CO., KOHLER, WI 53044 U.S.A.

IMPORTER:

INTERNACIONAL DE CERÁMICA, S.A.B. DE C.V.

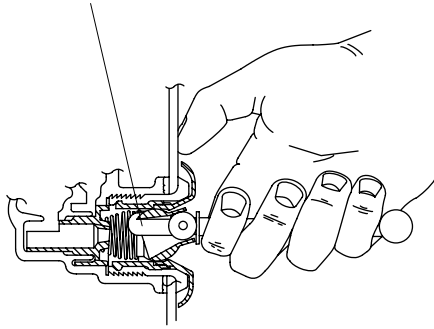
AV. CARLOS PACHECO NO. 7200

CHIHUAHUA, CHIH., MEXICO C.P. 31060

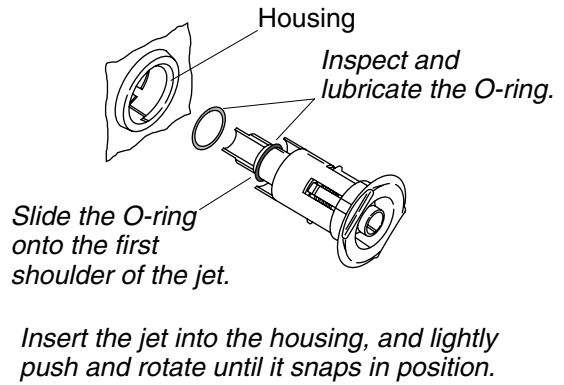
TEL: 52 (14) 29-11-11

Remove the Jets

Insert the tool hook as shown and pull the jet out of the housing. The jet should be facing up when this is done.



Reinstall the Jets



Troubleshooting

NOTICE: This section is for general aid only. A KOHLER Authorized Service Representative or qualified electrician should correct any electrical problems. For warranty service, contact your dealer or wholesale distributor.

Remove the Jets

- Position the ball nozzle of the jet facing up. This will ensure the jet tool will not slip off.
- Position the jet tool (provided) with the hook facing up.
- Insert the jet tool into the opening of the jet and hook the inside top of the nozzle.
- Place your thumb against the whirlpool wall while firmly grasping the jet tool.
- Steadily pull the jet tool until the jet assembly pulls free from the housing. Be careful not to lose the O-ring.

Reinstall the Jets

NOTE: To allow easy rotation and proper operation of the jet, the O-ring must be: (1) correctly positioned, (2) lubricated, and (3) in good condition.

- Install the O-ring onto the **first shoulder** of the jet.
- Using the silicone lube packet (provided), lubricate the O-ring to prevent noisy operation of the jet.
- Carefully insert the jet into the housing, then lightly push and rotate the jet until it snaps into position. **Do not force the jet.**
- Verify the jet is installed correctly. The jet should turn smoothly both clockwise and counterclockwise. Remove and reinstall, if necessary.

Troubleshooting Table

User Keypad and Pump

Symptoms	Probable Causes	Recommended Action
1. User keypad does not illuminate when power button is pressed or outer ring is rotated.	<p>A. No power to control.</p> <p>B. GFCI or RCD tripped.</p> <p>C. Wiring harness from user keypad to control is loose, disconnected or damaged.</p> <p>D. User keypad does not work.</p> <p>E. Control does not work.</p>	<p>A. Check wiring and connect power.</p> <p>B. Reset GFCI or RCD.</p> <p>C. Check wiring for proper connections. Replace wiring harness if necessary.</p> <p>D. Replace user keypad.</p> <p>E. Replace control.</p>

Troubleshooting (cont.)

User Keypad and Pump

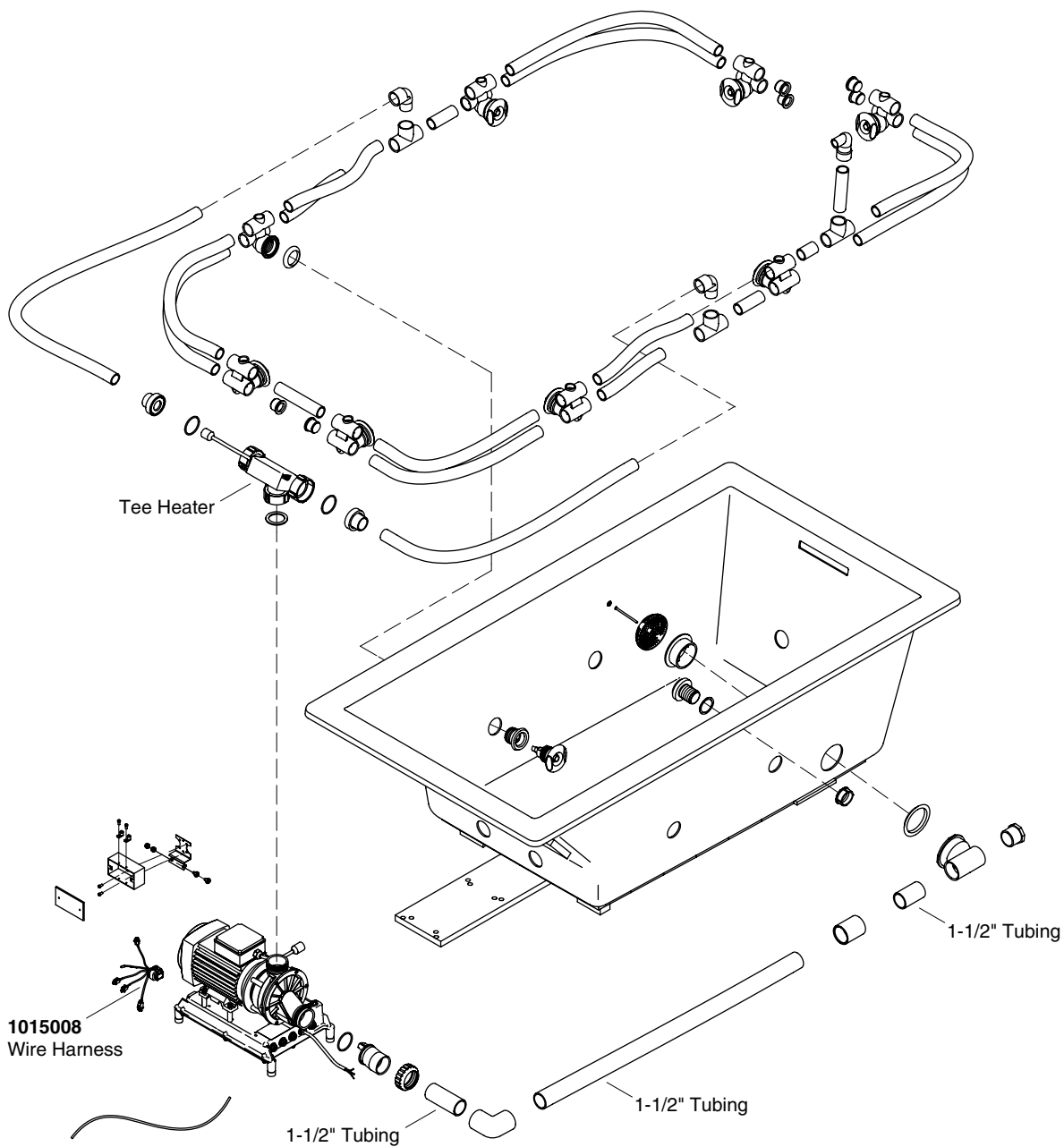
Symptoms	Probable Causes	Recommended Action
2. Motor starts, but all jets are not functioning.	<p>A. Jet is closed.</p> <p>B. Jet not installed correctly.</p> <p>C. Jets are blocked.</p>	<p>A. Rotate jet trim counterclockwise to open.</p> <p>B. Reinstall jet; check for O-ring damage.</p> <p>C. Remove blockage.</p>
3. User keypad is illuminated, but does not respond to buttons or outer ring.	<p>A. Control program is locked.</p> <p>B. Wiring harness from user keypad to control is loose, disconnected or damaged.</p> <p>C. User keypad does not work.</p> <p>D. Control does not work.</p>	<p>A. Reset GFCI or RCD.</p> <p>B. Check wiring for proper connections. Replace wiring harness if necessary.</p> <p>C. Replace user keypad.</p> <p>D. Replace control.</p>
4. User keypad indicator bar keeps scanning at power-up.	<p>A. Control program is locked.</p> <p>B. Wiring harness from user keypad to control is loose, disconnected or damaged.</p> <p>C. User keypad does not work.</p> <p>D. Control does not work.</p>	<p>A. Reset GFCI or RCD.</p> <p>B. Check wiring for proper connections. Replace wiring harness if necessary.</p> <p>C. Replace user keypad.</p> <p>D. Replace control.</p>
5. User keypad is illuminated, but pump will not start.	<p>A. Power cord from pump to control is loose, disconnected or damaged.</p> <p>B. Pump does not work.</p> <p>C. Control does not work.</p>	<p>A. Check wiring for proper connections.</p> <p>B. Replace pump.</p> <p>C. Replace control.</p>
6. Motor runs but pump will not prime (cavitates).	<p>A. Pump is shimmed too high.</p> <p>B. Small air leak at pump inlet.</p> <p>C. Motor/pump does not work.</p> <p>D. Control does not work.</p>	<p>A. Lower pump/control to subfloor level.</p> <p>B. Securely tighten nut(s) on intake side of pump.</p> <p>C. Replace motor/pump.</p> <p>D. Replace control.</p>
7. Pump stops before 18 minutes.	<p>A. GFCI or RCD tripped.</p> <p>B. Suction is blocked.</p> <p>C. Jets are blocked.</p> <p>D. Motor overheated and protection device activated.</p>	<p>A. Identify source of fault, and correct. Reset GFCI or RCD.</p> <p>B. Remove obstruction.</p> <p>C. Remove blockage.</p> <p>D. Check for blockage at suction and/or jets. Remove blockage and allow motor to cool.</p>
8. Pump does not automatically stop after 22 minutes.	<p>A. 20-minute timer inadvertently disabled.</p>	<p>A. See service manual.</p>
9. Pump will not turn off when the power button on user keypad is pressed.	<p>A. User keypad does not work.</p> <p>B. Control does not work.</p>	<p>A. Replace user keypad.</p> <p>B. Replace control.</p>
10. Pump operates but variable speed feature does not work.	<p>A. Motor/pump does not work.</p> <p>B. Control does not work.</p>	<p>A. Replace motor/pump.</p> <p>B. Replace control.</p>
11. Bath water cools while pump is operating.	<p>A. Water temperature above 104°F (40°C).</p> <p>B. Heater is turned off on user keypad.</p> <p>C. Wiring from heater to control is loose, disconnected or damaged.</p> <p>D. Heater does not work.</p> <p>E. Control does not work.</p>	<p>A. Allow bath water to cool.</p> <p>B. Turn heater on.</p> <p>C. Check wiring for proper connections.</p> <p>D. Replace heater.</p> <p>E. Replace control.</p>

Troubleshooting (cont.)

User Keypad and Pump

Symptoms	Probable Causes	Recommended Action
12. Noisy operation.	A. Pump banding straps have not been cut. B. Dry or dislodged jet O-ring (squeal).	A. Cut pump banding straps with tin snips. B. Remove jet, replace and lubricate O-ring, and reinstall jet.

***Note:** All tubing 1" unless otherwise noted.



****Finish/color code must be specified when ordering.**

Service Parts

1003065
Suction Flange
Removal Tool



73518
Plug



93685
Housing



96708
Flange



65886 (Acrylic and FRP)
60050 (Cast Iron)
Gasket



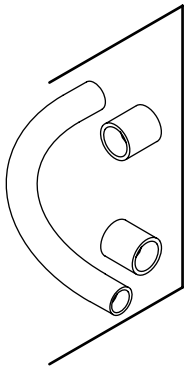
65054
Screw



96895** (Colored Finishes)
65061** (Metal Finishes)
Cover



65226**
Suction Cover Plug



93836 (1/2")
93837 (3/4")
93838 (1")
93839 (1-1/4")
94853 (1-1/2")
Tube (w/Couplings)

91967
Check Valve



1086350
Flange Removal Wrench



67665
Plug

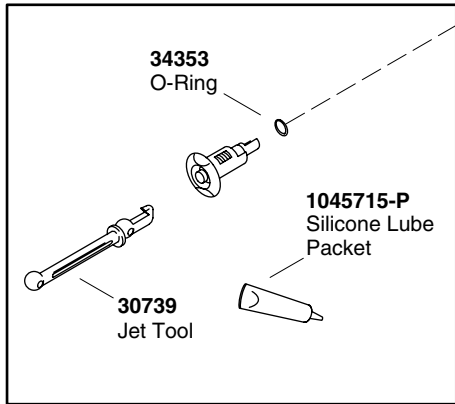


67429
Flange



67889
Jet Housing

65885 (Acrylic and FRP)
67668 (Cast Iron)
Gasket



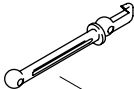
34353
O-Ring



1045715-P
Silicone Lube
Packet



30739
Jet Tool



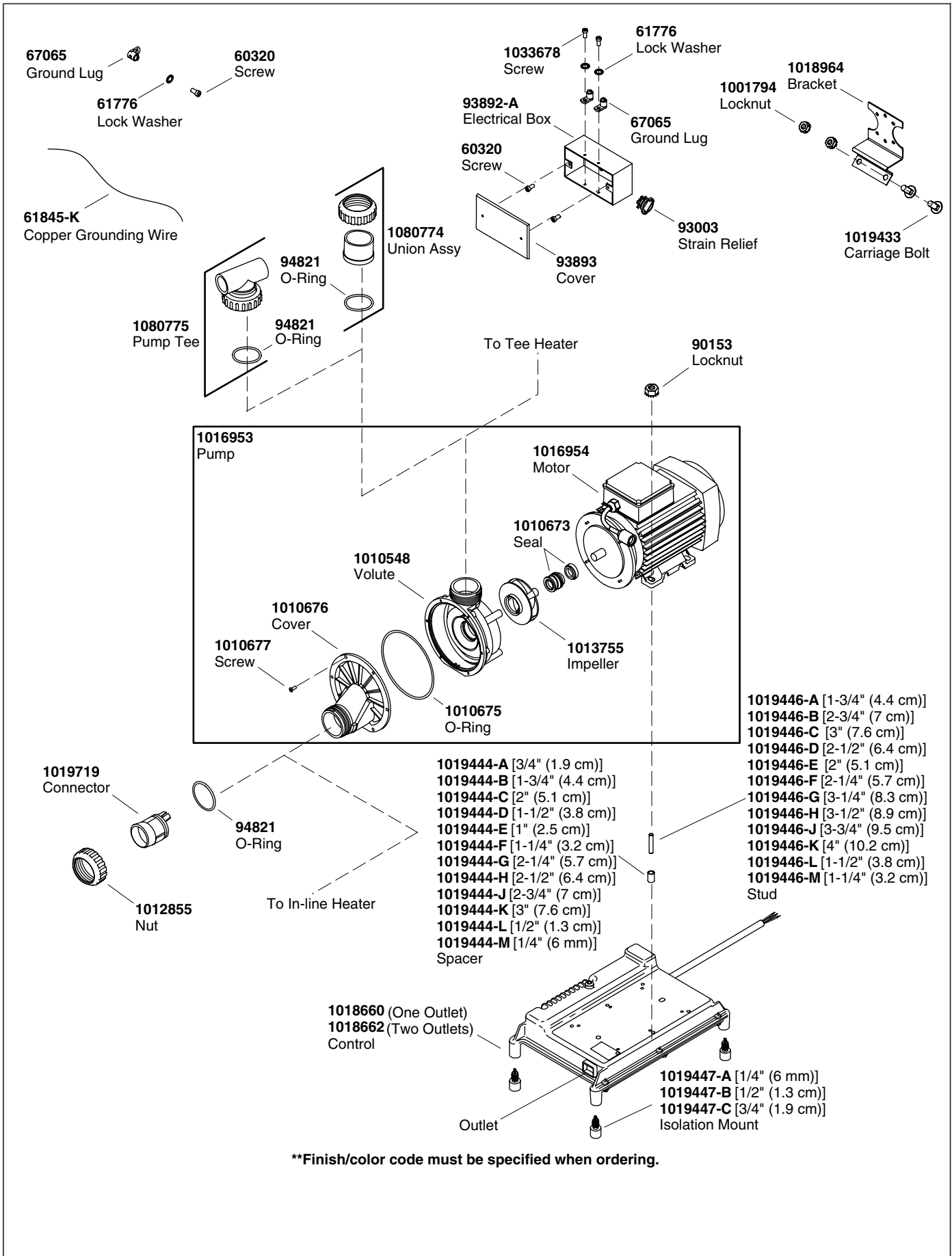
**Single Jet For Whirlpools
With 5 or Less Jets**

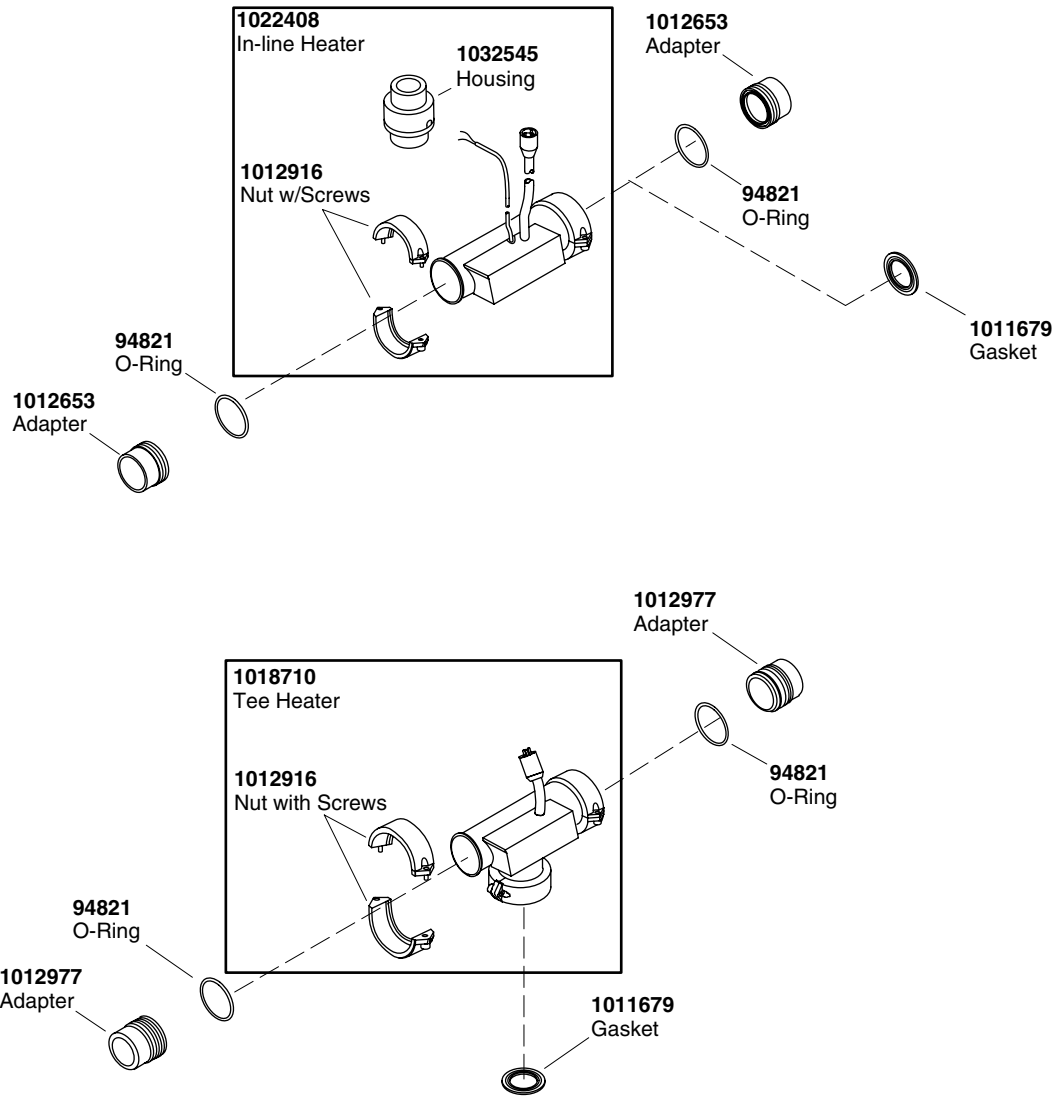
88532** (Colored Finishes)
88531** (Metal Finishes)
Jet

**Single Jet For Whirlpools
With 6 or More Jets**

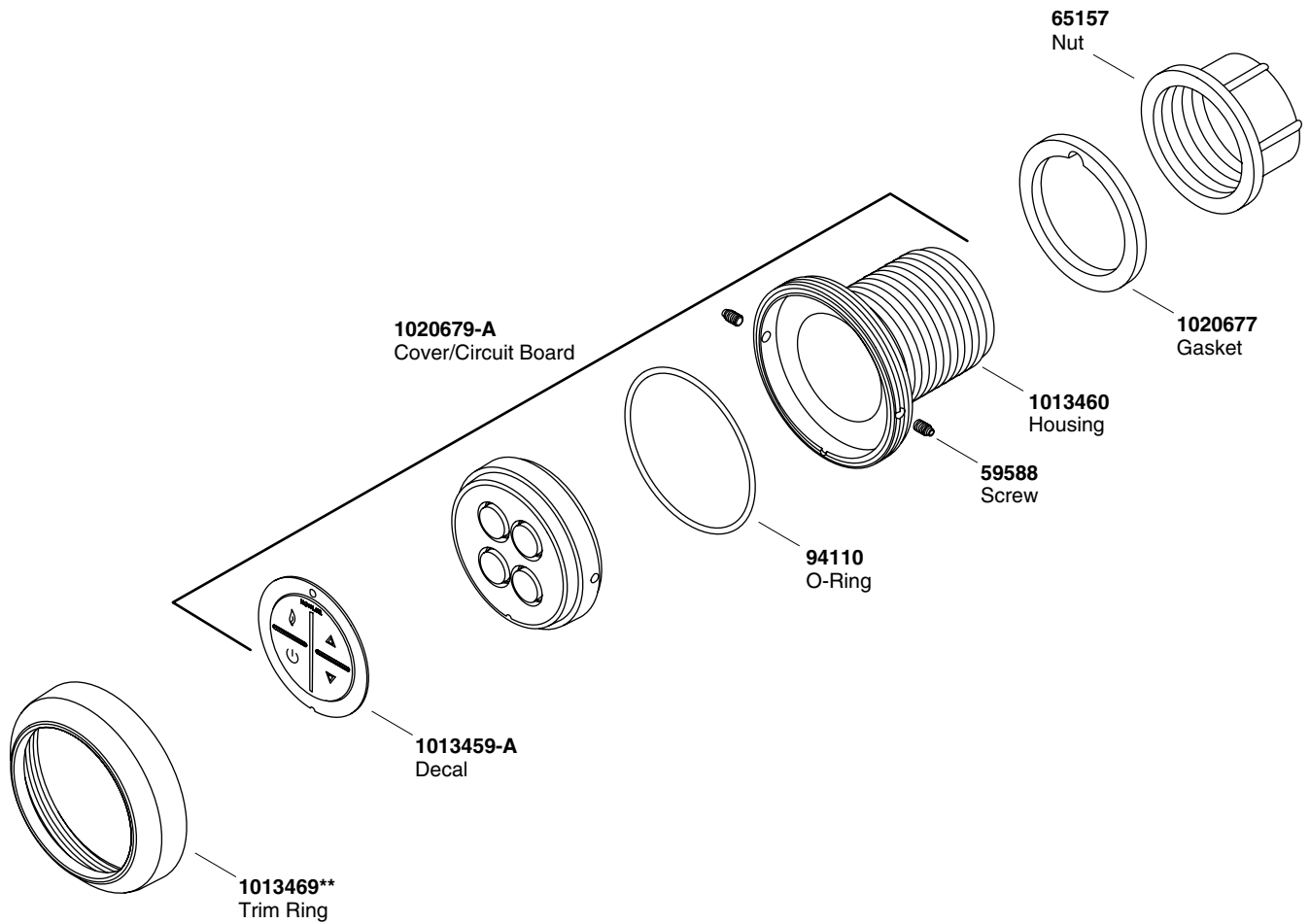
88530** (Colored Finishes)
88529** (Metal Finishes)
Jet

****Finish/color code must be specified when ordering.**





****Finish/color code must be specified when ordering.**



****Finish/color code must be specified when ordering.**

Guide du propriétaire

Baignoire à hydromassage

INSTRUCTIONS SUR LA SÉCURITÉ

INSTRUCTIONS RELATIVES AUX RISQUES D'INCENDIE, D'ÉLECTROCUTION OU DE BLESSURES CORPORELLES

LIRE ET SUIVRE TOUTES LES INSTRUCTIONS

CONSERVER CES INSTRUCTIONS



DANGER: Risque de blessures corporelles. Afin de réduire les risques de blessures, ne jamais permettre à un enfant d'utiliser cet appareil sans surveillance.



AVERTISSEMENT: Risque de blessures corporelles. Pour éviter les blessures corporelles, entrer et sortir avec précaution de la baignoire à hydromassage.



AVERTISSEMENT: Lors de l'utilisation des produits électriques, des précautions de base doivent toujours être observées, incluant ce qui suit:



AVERTISSEMENT: Risque d'électrocution. Ne pas amener les appareils électriques (tels que des sèche-cheveux, des lampes, des téléphones, des radios ou des télévisions) dans un rayon de 5' (1,5 m) de cette baignoire à hydromassage.



AVERTISSEMENT: La consommation d'alcool, de drogues ou de médicaments peuvent augmenter considérablement le risque fatal d'hyperthermie. Une immersion prolongée dans l'eau chaude peut provoquer l'hyperthermie. Une hyperthermie a lieu lorsque la température corporelle interne atteint un niveau dépassant de plusieurs degrés la température corporelle normale de 37°C (98,6°F). Les symptômes d'hyperthermie comprennent la hausse de la température corporelle, l'étourdissement, la léthargie, la somnolence et l'évanouissement. Les effets de l'hyperthermie comprennent: (a) défaut de percevoir la chaleur, (b) défaut de s'apercevoir du besoin de sortir de la baignoire, (c) incapacité de reconnaître le danger, (d) dommages au fœtus dans le cas des femmes enceintes, (e) incapacité physique de sortir de la baignoire et (f) inconscience et danger conséquent de noyade.



AVERTISSEMENT: Risque d'hyperthermie. Les personnes sous médicaments ou qui sont en observation médicale doivent consulter leur médecin avant d'utiliser des baignoires à hydromassage équipées de chauffe-eau.



AVERTISSEMENT: Risque de brûlures. Ne pas laisser la température de l'eau de la baignoire à hydromassage dépasser 104°F (40°C).

Un chauffe-eau maintient automatiquement la température d'eau quand la baignoire à hydromassage est en marche, et tant que la température d'eau ne dépasse pas 104°F (40°C). Le chauffe-eau s'arrêtera aux températures plus hautes.

Une borne de mise à la terre est incluse dans le boîtier du câblage. Afin de réduire les risques d'électrocution, ce terminal doit être raccordé à la borne de mise à la terre du panneau du service électrique, avec un câble ayant le même calibre que celui du circuit de contrôle qui alimente cet équipement.

Un connecteur à pression par câble est prévu à l'extérieur de la pompe ou de la commande de cet appareil

INSTRUCTIONS SUR LA SÉCURITÉ (cont.)

afin de permettre la connexion entre l'appareil et toutes autres surfaces de métal avoisinantes, tel que requis par les normes locales.

Utiliser cette baignoire à hydromassage uniquement pour un usage tel que décrit dans ce guide. Ne pas utiliser des fixations non recommandées par le fabricant.

Ne jamais faire tomber ou insérer d'objet quelconque dans les ouvertures. Ne pas laisser de petits objets tels que des jouets ou accessoires pour le bain dans la baignoire à hydromassage lorsqu'elle est en marche.

Ne pas utiliser cet appareil sans ses protecteurs (couvertures) sur ses raccords d'aspiration.

La baignoire à hydromassage doit être raccordée uniquement à une prise de terre, protégée par un disjoncteur différentiel (GFCI) ou un appareil de courant résiduel (RCD). De tels disjoncteurs GFCI ou RCD devraient être fournis par l'installateur et vérifiés régulièrement. Appuyer sur le bouton de test pour tester les disjoncteurs GFCI ou RCD. Le GFCI ou RCD devraient couper le courant. Appuyer sur le bouton de ré-initialisation. L'alimentation devrait être restituée. Si les disjoncteurs GFCI ou RCD ne fonctionnent pas de cette façon, l'un ou l'autre est défectueux. Si les disjoncteurs GFCI ou RCD stoppent l'alimentation électrique à la baignoire sans que le bouton test ne soit utilisé, il y a donc un court circuit indiquant la possibilité de choc électrique. Ne pas utiliser pas cette baignoire à hydromassage. Débrancher la baignoire à hydromassage et la faire réviser par un technicien qualifié avant son utilisation.

Purger le système d'hydromassage deux fois par mois ou plus souvent selon la fréquence d'usage, tel que décrit dans la section "Purger le système" de ce guide.

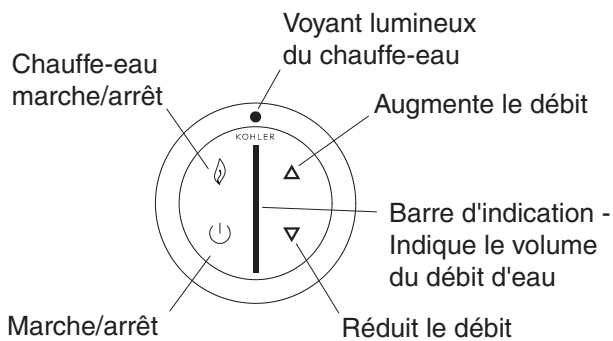
L'utilisation répétée de produits d'hygiène et de beauté contenant des huiles peut endommager les revêtements en plastique des composants de la baignoire à hydromassage. Ne pas utiliser de shampoings ou d'huiles de bains à bases végétales.

L'action de la baignoire à hydromassage peut considérablement faire mousser une quantité de produit moussant, même très petite, de savon, de shampoing ou d'huile pour le bain. Pour cette raison, nous vous conseillons de ne pas utiliser ces produits dans votre baignoire à hydromassage.

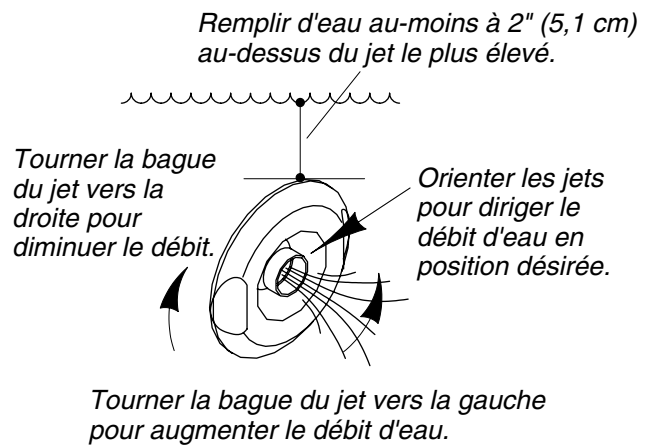
Composants

Votre nouvelle baignoire à hydromassage est conçue pour relaxer, stimuler, revigorer et tonifier votre corps. La baignoire à hydromassage consiste en les éléments suivants:

- **Clavier illuminé de l'utilisateur** - Localisé à portée de main, il permet d'arrêter ou de démarrer la pompe et le chauffe-eau ainsi que de régulariser le débit d'eau dans les jets.
- **Moteur de pompe** - Fournit une alimentation à vitesse variable et non bruyante pour faire circuler l'eau.
- **Jets réglables** - Positionnés de manière stratégique pour optimiser l'effet d'hydromassage, ils permettent d'ajuster le débit d'air et d'eau, ainsi que de contrôler la direction du jet selon le désir.
- **Chauffe-eau** - Aide automatiquement à maintenir une température d'eau de 40 °C (104 °F), se met en marche lorsque la baignoire à hydromassage fonctionne et s'arrête lorsque le moteur de la pompe est arrêté. Utiliser le clavier de l'utilisateur illuminé pour arrêter le chauffe-eau n'importe quand pendant que la pompe fonctionne.



Clavier de l'utilisateur illuminé



Opérer votre baignoire à hydromassage

Alimentation	Met les pompes de la baignoire à hydromassage en marche et arrêt.
Flèche haut	Augmente le débit d'eau.
Flèche bas	Réduit le débit d'eau.
Chauffe-eau	S'active automatiquement lorsque la baignoire à hydromassage est mise en service. Appuyer sur le bouton du chauffe-eau pour l'arrêter. Appuyer une deuxième fois sur le bouton pour redémarrer le chauffe-eau.
Barre indicatrice	Affiche le volume du débit d'eau.

REMARQUE: Si la baignoire à hydromassage ne fonctionne pas correctement, consulter la section "Dépannage" de ce guide avant d'appeler un représentant en service qualifié.

Baignoire à hydromassage

- Tourner complètement la bague du jet vers la gauche. Orienter les buses des jets vers le fond du bassin.

AVIS: Ne pas laisser la température de l'eau de la baignoire à hydromassage dépasser 104 ° F (40 °C). Un chauffe-eau maintient automatiquement la température d'eau quand la baignoire à hydromassage est en marche, et tant que la température d'eau ne dépasse pas 104°F (40°C). Le chauffe-eau s'arrêtera aux températures plus hautes.

- Fermer le drain, puis remplir la baignoire à hydromassage à un niveau d'au moins 2" (5.1 cm) au-dessus du jet le plus élevé. Utiliser votre main pour tester la température de l'eau pour le confort et la sécurité. Entrer dans la baignoire avec précaution.
- Appuyer sur l'icône de marche pour démarrer la pompe et le chauffe-eau de la baignoire à hydromassage. Le débit d'eau aura un volume moyen.
- Presser les flèches haut/bas pour augmenter ou diminuer le volume de débit d'eau. La barre indicatrice affiche le volume du débit d'eau.
- Ajuster les jets pour un mélange optimal de l'eau et de l'air. Tourner la bague du jet vers la droite pour réduire le débit, ou vers la gauche l'augmenter. Le cas échéant, orienter les jets pour diriger le débit d'eau vers la direction désirée pour optimiser l'action d'hydromassage.
- Si désiré, éteindre le chauffe-eau en appuyant sur le bouton chauffage. Appuyer une deuxième fois sur le bouton pour redémarrer le chauffe-eau.
- Presser l'icône de démarrage une deuxième fois pour arrêter la pompe et le chauffe-eau.

REMARQUE: Votre pompe et le chauffe-eau s'arrête automatiquement après environ 20 minutes de fonctionnement. Si désiré, appuyer sur l'icône de démarrage pour réactiver la pompe et le chauffe-eau.

- Sortir doucement de la baignoire à hydromassage, et ouvrir le drain pour la vider.

Entretien et nettoyage

Pour obtenir les meilleurs résultats possibles, prendre ce qui suit en considération lors de l'entretien de votre produit KOHLER:

- Toujours tester la solution de nettoyage sur une surface non visible avant de l'appliquer sur l'ensemble de la surface.
- Essuyer les surfaces et rincer complètement avec de l'eau immédiatement après l'application du nettoyant. Rincer et sécher tout éclaboussement sur les surfaces avoisinantes.
- Ne pas laisser les nettoyeurs sur les surfaces.
- Utiliser une éponge ou un chiffon doux et humide. Ne jamais utiliser de matériau abrasif tel qu'une brosse ou une éponge à récurer pour nettoyer les surfaces.

Pour obtenir des informations détaillées sur le nettoyage et les produits à considérer, consulter le site www.kohler.com/clean. Pour commander des informations sur l'entretien & le nettoyage, appeler le 1-800-456-4537.

Purger le système

REMARQUE: Purger le système d'hydromassage deux fois par mois ou plus, selon la fréquence d'utilisation.

- Tourner les bagues de garniture du jet complètement dans le sens des aiguilles d'une montre pour supprimer l'admission d'air.
- Remplir la baignoire à hydromassage avec de l'eau chaude à un niveau d'au moins 2" (5,1 cm) au-dessus des jets les plus élevés, ou laisser l'eau dans la baignoire à hydromassage après l'usage.
- Ajouter à l'eau 2 petites cuillères (10 ml) d'un détergent en poudre pour lave-vaisselle automatique peu moussant et 20 onces (590 ml) d'eau de javel domestique (5 à 6% d'hypochlorite de sodium).
- Faire fonctionner la baignoire à hydromassage pendant 5 à 10 minutes. Arrêter la baignoire à hydromassage et purger.
- Si désiré, rincer les surfaces de la baignoire avec de l'eau.
- Rincer les surfaces des jets, le robinet, les barres d'appuis et le drain, et sécher avec un chiffon doux.

Garantie

GARANTIE LIMITÉE D'UN AN

Les produits de plomberie KOHLER sont garantis contre tout défaut de matériel et de fabrication pendant un an à partir de la date d'installation.

Kohler Co. jugera, à son gré, de réparer, de remplacer ou d'effectuer un ajustement approprié lorsque l'inspection effectuée par Kohler Co. révèle de telles déficiences lors d'une utilisation normale, et ce dans un délai d'un (1) an après l'installation. Kohler Co. n'est pas responsable des coûts de démontage ou d'installation. **L'utilisation de nettoyeurs à l'intérieur du réservoir annulera la garantie.**

Pour obtenir un service de garantie, contacter Kohler Co., soit par l'intermédiaire de votre concessionnaire, plombier, centre de rénovation, ou revendeur sur Internet ou en écrivant à Kohler Co. à l'attention de: Customer Care Center, 444 Highland Drive, Kohler, WI 53044, États-Unis, ou appeler le 1-800-4-KOHLER (1-800-456-4537) à partir des États-Unis et du Canada, et le 001-800-456-4537 à partir du Mexique, ou consulter le site www.kohler.com aux États-Unis, www.ca.kohler.com au Canada ou www.mx.kohler.com au Mexique.

LA DURÉE DES GARANTIES TACITES, Y COMPRIS CELLES DE QUALITÉ MARCHANDE ET D'APTITUDE À UN EMPLOI PARTICULIER, SE LIMITE EXPRESSÉMENT À LA DURÉE DE LA PRÉSENTE GARANTIE. KOHLER CO. ET/OU LE REVENDEUR DÉCLINENT TOUTE RESPONSABILITÉ CONTRE LES DOMMAGES PARTICULIERS, ACCESSOIRES OU INDIRECTS. Certains états/provinces ne permettent pas les limitations sur la durée de la garantie implicite, ou l'exclusion ou la limitation de dommages particuliers, indirects ou consécutifs, et, par conséquent, ces limitations et exclusions pourraient ne pas s'appliquer dans votre cas. Cette garantie vous donne des

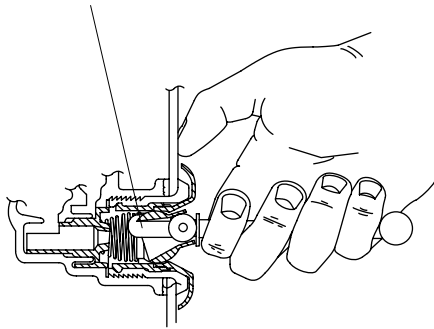
Garantie (cont.)

droits légaux spécifiques. Vous pourriez également avoir d'autres droits qui varient d'un état/d'une province à l'autre.

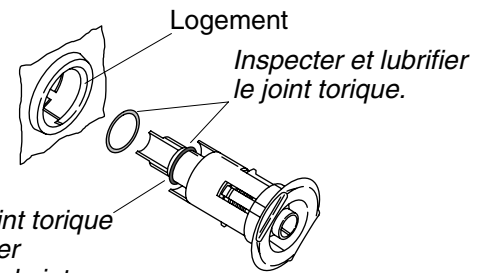
Ceci constitue la garantie écrite exclusive de Kohler Co.

Retirer les jets

Insérer l'outil en crochet comme indiqué, et retirer le jet hors de son logement. Le gicleur devrait être vers le haut quand cela sera terminé.



Réinstaller les jets



Glisser le joint torique sur le premier épaulement du jet.

Insérer le jet dans son logement, tourner et pousser doucement jusqu'à ce qu'il s'enclenche en position.

Dépannage

AVIS: Cette section est seulement destinée à une aide générale. Seul un agent agréé de KOHLER ou un électricien qualifié devrait corriger tous les problèmes électriques. Pour une réparation sous garantie, contacter le vendeur ou distributeur.

Retirer les jets

- Positionner la buse de gicleur du jet vers le haut. Ceci assure que l'outil pour le jet ne glissera pas.
- Placer l'outil pour jet (fourni) avec le crochet tourné vers le haut.
- Insérer l'outil pour jet dans l'ouverture du jet et accrocher la partie supérieure intérieure du gicleur.
- Placer le pouce contre la paroi de la baignoire à hydromassage tout en saisissant fermement l'outil pour jet.
- Tirer avec force sur l'outil pour jet jusqu'à ce que l'ensemble du jet sorte du boîtier. Faire attention à ne pas perdre le joint torique.

Réinstaller les jets

REMARQUE: Pour permettre une rotation aisée et un fonctionnement correct des jets, le joint torique doit être : (1) correctement placé, (2) lubrifié, et (3) en bon état.

- Installer le joint torique sur le **premier épaulement** du jet.
- Lubrifier le joint torique avec le paquet de lubrifiant silicone (fourni), afin d'éviter le fonctionnement bruyant du jet.
- Insérer délicatement le jet dans le logement, puis pousser et pivoter légèrement jusqu'à ce qu'il s'enclenche en place. **Ne pas forcer le jet.**
- L'appareil n'est pas installé correctement. Le jet devrait pivoter aisément dans les deux sens. Retirer et réinstaller si nécessaire.

Tableau de dépannage

Dépannage (cont.)

Clavier de l'utilisateur et pompe

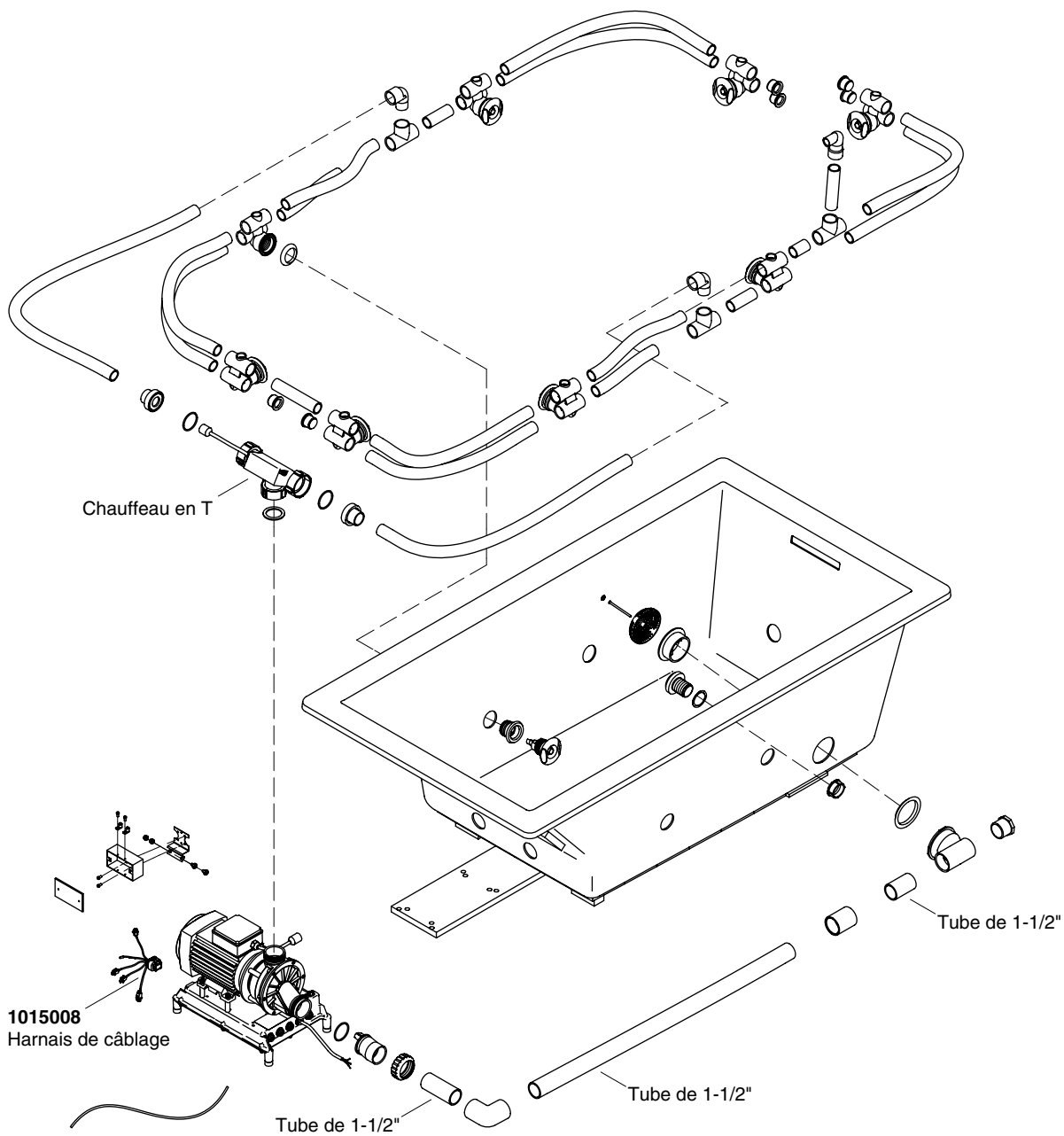
Symptômes	Causes probables	Action recommandée
1. Le clavier ne s'illumine pas quand le bouton est pressé ou quand la bague extérieure est tournée.	<p>A. Pas d'alimentation au contrôle.</p> <p>B. Les disjoncteurs GFCI ou RCD se déclenchent.</p> <p>C. Le harnais du câblage du clavier est desserré, débranché ou endommagé.</p> <p>D. Le clavier ne fonctionne pas.</p> <p>E. Le contrôle ne fonctionne pas.</p>	<p>A. Vérifier le câblage et connecter l'alimentation électrique.</p> <p>B. Réinitialiser le GFCI ou le RCD.</p> <p>C. Vérifier que les connexions du câblage soient correctes. Remplacer le harnais du câblage si nécessaire.</p> <p>D. Remplacer le clavier.</p> <p>E. Remplacer le contrôle.</p>
2. Le moteur démarre, mais tous les jets ne fonctionnent pas.	<p>A. Le jet est fermé.</p> <p>B. Le jet n'est pas installé correctement.</p> <p>C. Les jets sont bloqués.</p>	<p>A. Tourner la bague du jet vers la gauche pour ouvrir.</p> <p>B. Réinstaller le jet; s'assurer que le joint torique ne soit pas endommagé.</p> <p>C. Retirer le blocage.</p>
3. Le clavier est illuminé mais, ne répond pas aux boutons ou bague extérieure.	<p>A. Le programme de contrôle est verrouillé.</p> <p>B. Le harnais du câblage du clavier est desserré, débranché ou endommagé.</p> <p>C. Le clavier ne fonctionne pas.</p> <p>D. Le contrôle ne fonctionne pas.</p>	<p>A. Réinitialiser le GFCI ou le RCD.</p> <p>B. Vérifier que les connexions du câblage soient correctes. Remplacer le harnais du câblage si nécessaire.</p> <p>C. Remplacer le clavier.</p> <p>D. Remplacer le contrôle.</p>
4. La barre d'indication du clavier continue le balayage au démarrage.	<p>A. Le programme de contrôle est verrouillé.</p> <p>B. Le harnais du câblage du clavier est desserré, débranché ou endommagé.</p> <p>C. Le clavier ne fonctionne pas.</p> <p>D. Le contrôle ne fonctionne pas.</p>	<p>A. Réinitialiser le GFCI ou le RCD.</p> <p>B. Vérifier que les connexions du câblage soient correctes. Remplacer le harnais du câblage si nécessaire.</p> <p>C. Remplacer le clavier.</p> <p>D. Remplacer le contrôle.</p>
5. Le clavier est illuminé, mais la pompe de démarrage pas.	<p>A. Le câble de la pompe est desserré, déconnecté ou endommagé.</p> <p>B. Le pompe ne fonctionne pas.</p> <p>C. Le contrôle ne fonctionne pas.</p>	<p>A. Vérifier que les connexions du câblage soient correctes.</p> <p>B. Remplacer la pompe.</p> <p>C. Remplacer le contrôle.</p>
6. Le moteur fonctionne mais la pompe ne démarre pas (cavitante).	<p>A. La pompe est trop élevée.</p> <p>B. Petite fuite d'air à l'entrée de la pompe.</p> <p>C. Le moteur/pompe ne fonctionne pas.</p> <p>D. Le contrôle ne fonctionne pas.</p>	<p>A. Baisser la pompe/contrôle au niveau du plancher.</p> <p>B. Serrer soigneusement le(s) écrou(s) des tuyaux de l'admission de la pompe.</p> <p>C. Remplacer le moteur/la pompe.</p> <p>D. Remplacer le contrôle.</p>
7. La pompe s'arrête automatiquement avant 18 minutes.	<p>A. Les disjoncteurs GFCI ou RCD se déclenchent.</p> <p>B. L'aspiration est bloquée.</p> <p>C. Les jets sont bloqués.</p> <p>D. Moteur surchauffé et système de protection activé.</p>	<p>A. Identifier la source du problème, puis y remédier. Réinitialiser le GFCI ou le RCD.</p> <p>B. Retirer l'obstruction.</p> <p>C. Retirer le blocage.</p> <p>D. Vérifier s'il y a un blocage à l'aspiration et/ou aux jets. Retirer l'obstruction et laisser le moteur refroidir.</p>
8. La pompe ne s'arrête pas automatiquement après 22 minutes.	<p>A. La minuterie de 20 minutes s'arrête par inadvertance.</p>	<p>A. Consulter le manuel de service.</p>

Dépannage (cont.)

Clavier de l'utilisateur et pompe

Symptômes	Causes probables	Action recommandée
9. La pompe ne s'arrêtera pas quand le bouton de marche du clavier est pressé.	A. Le clavier ne fonctionne pas. B. Le contrôle ne fonctionne pas.	A. Remplacer le clavier. B. Remplacer le contrôle.
10. La pompe fonctionne, mais la fonction de vitesse variable ne fonctionne pas.	A. Le moteur/pompe ne fonctionne pas. B. Le contrôle ne fonctionne pas.	A. Remplacer le moteur/la pompe. B. Remplacer le contrôle.
11. L'eau de la baignoire se refroidit pendant l'opération de la pompe.	A. La température de l'eau au-dessus de 104°F (40°C). B. Le chauffe-eau est arrêté par le clavier. C. Le câblage du chauffe-eau est desserré, débranché ou endommagé. D. Le chauffe-eau ne fonctionne pas. E. Le contrôle ne fonctionne pas.	A. Laisser l'eau du bain refroidir. B. Mettre le chauffe-eau en marche. C. Vérifier que les connexions du câblage soient correctes. D. Remplacer le chauffe-eau. E. Remplacer le contrôle.
12. Fonctionnement bruyant.	A. Les sangles de retenue de la pompe n'ont pas été coupées. B. Joint torique sec ou délogé (crissement).	A. Couper les sangles de retenue avec des cisailles de ferblantier. B. Retirer le jet, remplacer et lubrifier le joint torique, et réinstaller le jet.

***Remarque:** Toute la tuyauterie de 1" à moins qu'indiqué autrement.



****Vous devez spécifier les codes de la finition et/ou de la couleur quand vous passez votre commande.**

Pièces de rechange

1003065
Outil d'extraction de
la bride d'aspiration

73518
Bouchon

93685
Logement

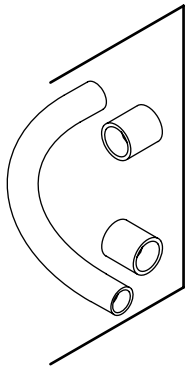
96708
Bride

65886 (Acrylique et FRP)
60050 (Fonte)
Joint

65054
Vis

96895** (Finitions colorées)
65061** (Finitions métalliques)
Couvercle

65226**
Capuchon de la vis
du couvercle d'aspiration



93836 (1/2")
93837 (3/4")
93838 (1")
93839 (1-1/4")
94853 (1-1/2")
Tuyau (avec couplages)

91967
Valve clapet de non-retour

1086350
Clé d'extraction de bride

67665
Bouchon

67429
Bride

67889
Logement du jet

65885 (Acrylique et FRP)
67668 (Fonte)
Joint

34353
Joint torique

1045715-P
Paquet de
lubrifiant
silicone

30739
Outil pour le jet

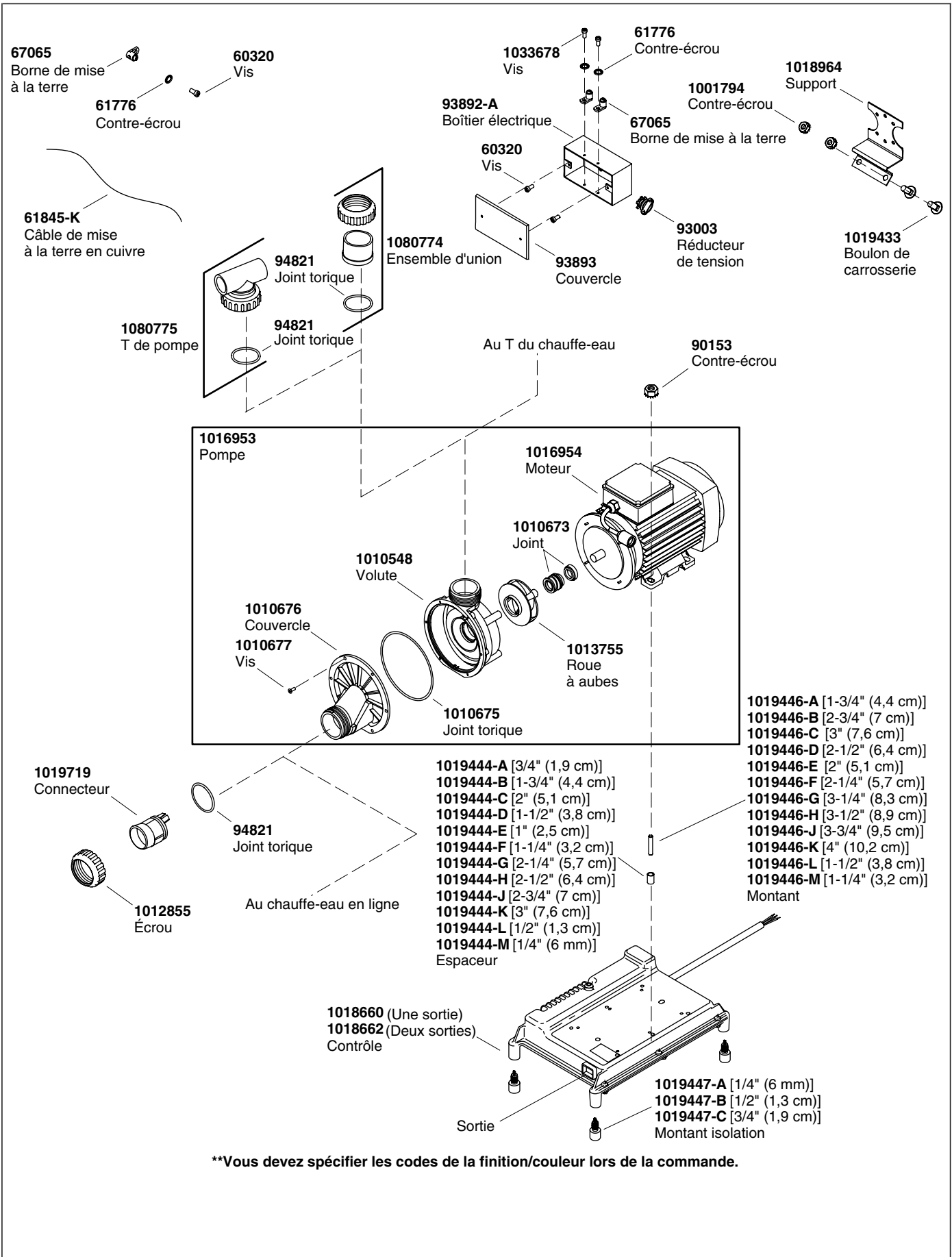
**Jet unique pour baignoires à
hydromassage avec 5 jets ou moins**

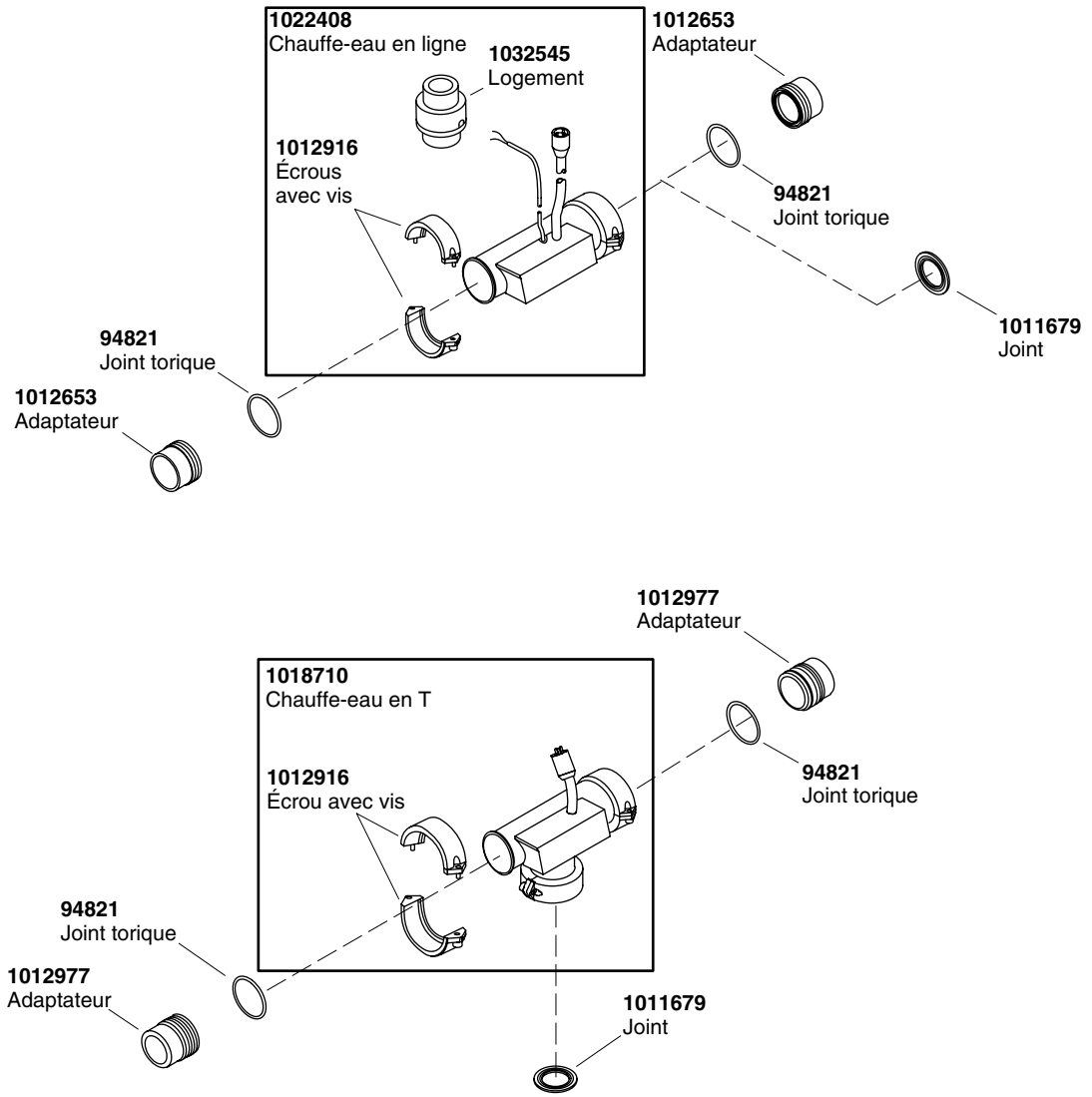
88532** (Finitions colorées)
88531** (Finitions métalliques)
Jet

**Jet unique pour baignoires à
hydromassage avec 6 jets ou plus**

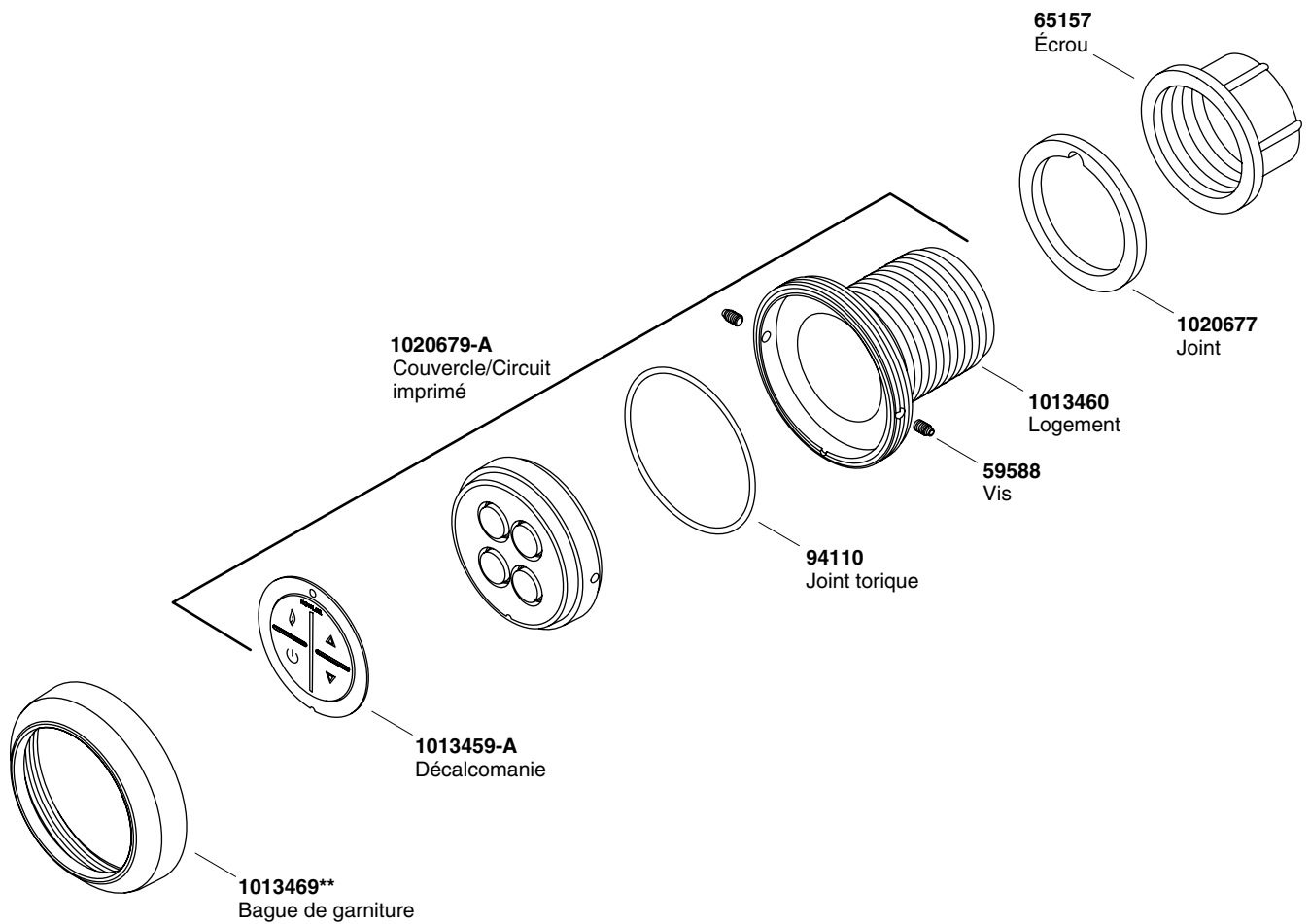
88530** (Finitions colorées)
88529** (Finitions métalliques)
Jet

****Vous devez spécifier les codes de la finition/couleur lors de la commande.**





****Vous devez spécifier les codes de la finition/couleur lors de la commande.**



****Vous devez spécifier les codes de la finition et/ou de la couleur quand vous passez votre commande.**

Guía del usuario

Bañera de hidromasaje

INSTRUCCIONES DE SEGURIDAD

INSTRUCCIONES RELATIVAS AL RIESGO DE INCENDIO, DESCARGA ELÉCTRICA O LESIONES PERSONALES

LEA Y SIGA TODAS LAS INSTRUCCIONES

GUARDE ESTAS INSTRUCCIONES



PELIGRO: Riesgo de lesiones personales. Para reducir el riesgo de lesiones, no permita que los niños usen este producto sin la estricta supervisión en todo momento.



ADVERTENCIA: Riesgo de lesiones personales. Para evitar lesiones, tenga cuidado al entrar y salir de la bañera de hidromasaje.



ADVERTENCIA: Al usar aparatos eléctricos, siga siempre las precauciones básicas, incluyendo las siguientes:



ADVERTENCIA: Riesgo de descarga eléctrica. No coloque aparatos eléctricos (como secador de pelo, lámparas, teléfono, radio o televisión) a menos de 5' (1,5 m) de esta bañera de hidromasaje.



ADVERTENCIA: El uso de alcohol, drogas o medicamentos puede aumentar enormemente el riesgo de sufrir hipertermia fatal. La inmersión prolongada en agua caliente puede producir hipertermia. La hipertermia ocurre cuando la temperatura interna del cuerpo alcanza un nivel superior a la temperatura corporal normal de 98,6°F (37°C). Los síntomas de la hipertermia incluyen el aumento de la temperatura corporal interna, mareos, letargo, somnolencia y desfallecimiento. Los efectos de la hipertermia incluyen: (a) incapacidad para percibir calor, (b) incapacidad para reconocer la necesidad de salir de la bañera, (c) inconsciencia de un peligro inminente, (d) daño al feto en mujeres embarazadas, (e) inhabilidad física para salir de la bañera y (f) pérdida del conocimiento con peligro de ahogarse.



ADVERTENCIA: Riesgo de hipertermia. Las personas bajo tratamiento médico o que padezcan de alguna condición médica deben consultar con un médico antes de utilizar una bañera de hidromasaje equipada con un calentador.



ADVERTENCIA: Riesgo de quemaduras. La temperatura del agua en la bañera de hidromasaje no debe exceder los 104°F (40°C).

El calentador mantendrá automáticamente la temperatura del agua mientras la bañera de hidromasaje esté en funcionamiento, siempre y cuando la temperatura no sobrepase los 104°F (40°C). El calentador se apagará a temperaturas superiores.

El compartimiento de cables tiene un terminal de conexión a tierra para el equipo. Para reducir el riesgo de descarga eléctrica, este terminal se debe conectar a la conexión de tierra provista en el panel de suministro eléctrico con un conductor del mismo tamaño que los conductores del circuito que alimentan esta bañera de hidromasaje.

En el exterior de la bomba o control de esta unidad se incluye un conector de presión para permitir la conexión de un conductor de puesta a tierra entre esta unidad y el metal expuesto en las proximidades, tal como lo requieran las normas locales.

INSTRUCCIONES DE SEGURIDAD (cont.)

Use esta bañera de hidromasaje únicamente con el fin para el que se ha fabricado, tal como se explica en esta guía. No utilice accesorios que no estén recomendados por el fabricante.

No deje caer ni introduzca objetos en ninguna de las aberturas. Mantenga los objetos pequeños tales como los juguetes y accesorios de baño fuera de la bañera de hidromasaje cuando esté en funcionamiento.

No permita que esta unidad funcione sin la tapa protectora (tapadera) en la conexión de succión.

La bañera de hidromasaje debe conectarse solamente a un circuito protegido con un interruptor de circuito con pérdida a tierra (GFCI) o por un dispositivo de corriente residual (RCD). El instalador debe proveer el interruptor de protección GFCI o RCD, cuyo funcionamiento debe probarse de manera rutinaria. Para probar el interruptor de protección GFCI o RCD, oprima el botón de prueba (test). El interruptor de protección GFCI o RCD debe interrumpir la alimentación eléctrica. Oprima el botón (reset) de restablecer la alimentación eléctrica. Esto debe restablecer la alimentación eléctrica. Si el interruptor de protección GFCI o RCD no funciona de este modo, significa que está averiado. Si el interruptor de protección GFCI o RCD, interrumpe la alimentación eléctrica a la bañera sin haber oprimido el botón de prueba, significa que existe corriente a tierra y la posibilidad de una descarga eléctrica. No utilice esta bañera de hidromasaje. Desconecte la bañera de hidromasaje, y antes de usarla, haga que un representante de servicio autorizado solucione el problema.

Limpie el sistema de hidromasaje dos o más veces al mes, dependiendo del uso, tal como se describe en la sección "Limpieza del sistema" de esta guía.

El uso constante de productos de higiene personal que contengan aceites puede dañar los componentes plásticos de la bañera de hidromasaje. No utilice champús a base de productos vegetales ni aceites de baño.

La acción del hidromasaje puede hacer que una pequeña cantidad de líquidos para hacer burbujas, champú, jabón o aceite de baño espume en exceso. Por esta razón, no utilice estos productos durante el funcionamiento de la bañera de hidromasaje.

Componentes

Su nueva bañera de hidromasaje está diseñada para estimular, vigorizar y dar energía a su cuerpo con una terapia de hidromasaje reconfortante. La bañera de hidromasaje consta de los siguientes componentes:

- **Teclado iluminado** - De fácil alcance, le permite encender y apagar la bomba y el calentador, así como regular el flujo de agua a través de los jets.
- **Motor bomba** - Proporciona una potencia variable y silenciosa para hacer circular el agua.
- **Jets ajustables** - Colocados de manera que optimizan el efecto del hidromasaje, los jets le permiten ajustar el flujo de aire y agua, así como controlar la dirección del flujo como usted lo desee.
- **Calentador** - Ayuda a mantener automáticamente la temperatura del agua a 104°F (40°C), se enciende cuando la bañera de hidromasaje está en marcha y se detiene cuando el motor de la bomba se apaga. El calentador se puede apagar utilizando el teclado iluminado en cualquier momento mientras la bomba esté funcionando.

Encendido/apagado del calentador

Luz indicadora del calentador

Aumenta el flujo

Barra indicadora-muestra el volumen del flujo de agua

Encendido/apagado principal

Disminuye el flujo

Teclado iluminado

Llene de agua por lo menos 2" (5,1 cm) arriba del jet más alto.

Gire el anillo decorativo del jet hacia la derecha para disminuir el flujo.

Orienté las boquillas de los jets para dirigir el flujo de agua en la dirección deseada.

Gire el anillo decorativo del jet hacia la izquierda para aumentar el flujo.

Funcionamiento de su bañera de hidromasaje

Encendido/Apagado principal	Enciende y apaga la bomba de la bañera de hidromasaje.
Flecha hacia arriba	Aumenta el flujo de agua.
Flecha hacia abajo	Disminuye el flujo de agua.
Calentador	Se enciende automáticamente cuando se enciende la bomba de hidromasaje. Oprima el botón del calentador una vez para apagarlo. Oprima el botón por segunda vez para volver a encender el calentador.
Barra indicadora	Muestra el caudal del flujo de agua.

NOTA: Si la bañera de hidromasaje no funciona correctamente, consulte la sección "para resolver problemas" de esta guía antes de llamar a un representante de servicio calificado.

Bañera de hidromasaje

- Gire la guarnición del jet totalmente hacia la izquierda. Coloque las boquillas de los jets de manera que miren hacia abajo en la bañera.

AVISO: La temperatura del agua en la bañera de hidromasaje no debe exceder los 104°F (40°C). El calentador mantendrá automáticamente la temperatura del agua mientras la bañera de hidromasaje esté en funcionamiento, siempre y cuando la temperatura no sobrepase los 104°F (40°C). El calentador se apagará a temperaturas superiores.

- Cierre el desagüe, luego llene la bañera de hidromasaje a un nivel de por lo menos 2" (5,1 cm) arriba del jet más alto. Pruebe la temperatura del agua con la mano para su confort y seguridad. Entre con cuidado a la bañera.
- Oprima el icono de encendido/apagado para encender la bomba de hidromasaje y el calentador. El agua fluirá a un caudal medio.
- Presione los iconos de las flechas hacia arriba/abajo para aumentar o disminuir el flujo de agua. La barra indicadora mostrará el caudal de flujo de agua.
- Ajuste los jets para obtener una mezcla óptima de aire/agua. Gire la guarnición del jet hacia la derecha para reducir el flujo o hacia la izquierda para aumentarlo. Si desea, oriente las boquillas de los jets para dirigir el flujo de agua y aprovechar al máximo la experiencia del hidromasaje.
- Si desea, apague el calentador presionando el icono del calentador. Oprima el botón por segunda vez para volver a encender el calentador.
- Oprima el icono de encendido/apagado una segunda vez para apagar la bomba de hidromasaje y el calentador.

NOTA: La bomba y el calentador se apagará automáticamente tras 20 minutos de funcionamiento continuo. Si desea, oprima el icono de encendido/apagado para volver a activar la bomba y el calentador.

1167576-5-A

Español-3

Kohler Co.

Funcionamiento de su bañera de hidromasaje (cont.)

- Salga con cuidado de la bañera, luego abra el desagüe para vaciar la bañera de hidromasaje.

Cuidado y limpieza

Para obtener los mejores resultados, tenga presente lo siguiente al limpiar su producto KOHLER:

- Siempre pruebe la solución de limpieza en un área oculta antes de aplicarla a toda la superficie.
- Limpie con un trapo las superficies y enjuague completa e inmediatamente con agua después de aplicar el limpiador. Enjuague y seque las superficies cercanas que se hayan rociado.
- No deje por tiempo prolongado los limpiadores en las superficies.
- Utilice una esponja o trapo suave y húmedo. Para limpiar las superficies nunca utilice materiales abrasivos como cepillos o estropajos de tallar.

Para obtener información detallada de limpieza y los limpiadores a considerar, visite www.kohler.com/clean. Para solicitar información sobre el cuidado y la limpieza, llame al 1-800-456-4537.

Limpie el sistema

NOTA: Limpie el sistema de hidromasaje dos o más veces al mes, dependiendo del uso.

- Gire los anillos decorativos de los jets totalmente hacia la derecha para eliminar la inducción de aire.
- Llene la bañera con agua tibia hasta que sobrepase 2" (5,1 cm) como mínimo por encima de los jets más altos o deje agua en la bañera cuando termine de usarla.
- Añada al agua 2 cucharaditas (10 ml) de detergente para lavaplatos automática que espume poco y 20 onzas (590 ml) de blanqueador para uso doméstico (5% - 6% hipoclorito sódico).
- Haga funcionar la bañera de hidromasaje de 5 a 10 minutos. Luego, apague y vacíe la bañera.
- Si lo desea, enjuague las superficies de la bañera con agua.
- Enjuague las superficies de los jets, la grifería, las agarraderas y el desagüe y seque con un paño suave.

Garantía

GARANTÍA LIMITADA DE UN AÑO

Se garantiza que los productos de plomería KOHLER están libres de defectos de material y mano de obra por un año a partir de la fecha de instalación.

Kohler Co., a su criterio, reparará, reemplazará o realizará los ajustes pertinentes en los casos en que la inspección realizada por Kohler Co. determine que dichos defectos ocurrieron durante el uso normal en el transcurso de un (1) año a partir de la fecha de la instalación. Kohler Co. no se hace responsable de los gastos de desinstalación o instalación. **El uso de limpiadores de inodoro que se colocan dentro del tanque anulará la garantía.**

Para obtener el servicio de garantía, comuníquese con Kohler Co. a través de su distribuidor, contratista de plomería, centro de remodelación o distribuidor por Internet, o escriba a: Kohler Co., Attn.: Customer Care Center, 444 Highland Drive, Kohler, WI 53044, USA o llame al 1-800-4-KOHLER (1-800-456-4537) desde los Estados Unidos y Canadá, y al 001-800-456-4537 desde México, o visite www.kohler.com desde los Estados Unidos, www.ca.kohler.com desde Canadá, o www.mx.kohler.com en México.

TODA GARANTÍA IMPLÍCITA INCLUYENDO LAS DE COMERCIALIZACIÓN E IDONEIDAD DEL PRODUCTO PARA UN USO DETERMINADO, SE LIMITA EXPRESAMENTE A LA DURACIÓN DE LA PRESENTE GARANTÍA. KOHLER CO. Y/O EL VENDEDOR DESCARGAN TODA RESPONSABILIDAD POR CONCEPTO DE DAÑOS PARTICULARES, INCIDENTALES O INDIRECTOS. Algunos estados/provincias no permiten limitaciones en cuanto a la duración de una garantía implícita o a la exclusión o limitación de daños particulares, incidentales o indirectos, por lo que estas limitaciones y exclusiones pueden no aplicar a su caso. Esta garantía le otorga ciertos derechos legales específicos.

Garantía (cont.)

Además, usted puede tener otros derechos que varían de estado a estado y provincia a provincia. Ésta es la garantía exclusiva por escrito de Kohler Co.

Garantía

Para México

KOHLER CO.

Se recomienda que al momento de la compra, verifique que todos los accesorios y componentes estén completos en esta caja.

Se garantiza que este producto Kohler está libre de defectos en material y mano de obra por un (1) año, a partir de la fecha de compra que aparezca en la factura o recibo.

1. Kohler Co. prestará servicio únicamente a los productos comercializados a través de sus distribuidores autorizados.
2. A fin de obtener el servicio de garantía, favor de presentar la factura de compra y la garantía correspondiente.
3. Kohler Co., a través de sus distribuidores autorizados, se compromete a reparar el producto defectuoso o, cuando la reparación no sea posible, reemplazarlo por uno nuevo o un modelo equivalente (en caso de que el producto haya sido descontinuado) sin ningún cargo al consumidor.
4. El tiempo de reparación no excederá de seis (6) semanas a partir de la fecha de recepción del producto.
5. Se recomienda al consumidor que conserve el recibo o factura de compra como protección adicional, pues el mismo puede sustituir a la garantía en caso de que exista discrepancia en cuanto a la validez de la misma.

EXCEPCIONES Y RESTRICCIONES

La garantía no tendrá validez en los siguientes casos:

1. Cuando el producto no se haya utilizado conforme a las instrucciones de uso y funcionamiento incluidas en el manual del usuario o en las instrucciones de instalación y cuando no se hayan observado las recomendaciones y advertencias provistas.
2. Cuando el producto se haya modificado o desmantelado parcial o totalmente; o manipulado de manera negligente y, como consecuencia, haya sufrido daños atribuibles al consumidor, persona o herrajes no autorizados por Kohler Co.
3. Esta garantía no cubre los daños que resulten de desastres naturales, tales como incendios o casos de fuerza mayor, incluyendo inundaciones, terremotos, tormentas eléctricas, etc. Para obtener una lista de distribuidores cerca de usted y así hacer valer sus derechos bajo esta garantía, llame al 001-800-456-4537.

KOHLER CO., KOHLER, WI 53044 U.S.A.

IMPORTADOR:

INTERNACIONAL DE CERÁMICA, S.A.B. DE C.V.

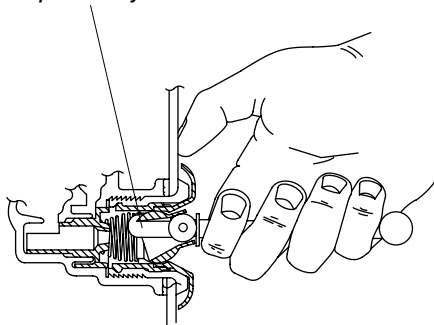
AV. CARLOS PACHECO NO. 7200

CHIHUAHUA, CHIH., MÉXICO C.P. 31060

TEL: 52 (14) 29-11-11

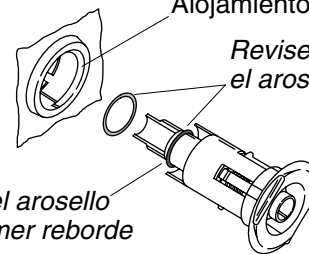
Extraiga los jets

Inserte el gancho de la herramienta tal como se ilustra y saque el jet del alojamiento. Al realizar este paso el jet debe estar orientado hacia arriba.



Vuelva a instalar los jets

Alojamiento
Revise y lubrique el arosello.



Deslice el arosello en el primer reborde del jet.

Inserte el jet en el alojamiento, empuje y gire el jet levemente hasta que encaje en su lugar.

Procedimiento para resolver problemas

AVISO: Esta sección es sólo para ayuda general. Un representante de servicio autorizado de KOHLER o un electricista calificado debe resolver todos los problemas eléctricos. Para obtener servicio cubierto por la garantía, póngase en contacto con el vendedor o el distribuidor mayorista.

Extraiga los jets

- Coloque la boquilla de bola del jet hacia arriba. Esto asegurará que la herramienta para jets no se resbale.
- Coloque la herramienta para el jet (provista) con el gancho hacia arriba.
- Inserte la herramienta para jet en la abertura del jet y enganche la parte superior interna en la boquilla.
- Coloque su dedo pulgar contra la pared de la bañera mientras agarra con firmeza la herramienta para jet.
- Jale uniformemente la herramienta para jet hasta que el montaje del jet salga del alojamiento. Tenga cuidado de no perder el arosello (O-ring).

Vuelva a instalar los jets

NOTA: Para permitir que el jet gire fácilmente y funcione correctamente, el arosello (O-ring) debe estar: (1) bien colocado, (2) lubricado y (3) en buenas condiciones.

- Instale el arosello (O-ring) en el **primer reborde** del jet.
- Utilice el paquete del tubo de silicona (provisto) para lubricar el arosello con el fin de evitar un funcionamiento ruidoso del jet.
- Inserte con cuidado el jet en el alojamiento, luego empuje levemente y gire el jet hasta que encaje en su lugar. **No fuerce el jet.**
- Verifique que el jet esté instalado correctamente. El jet debe girar sin problemas en ambos sentidos. Retire y vuelva a instalar, si es necesario.

Tabla para resolver problemas

Procedimiento para resolver problemas (cont.)

Teclado y bomba

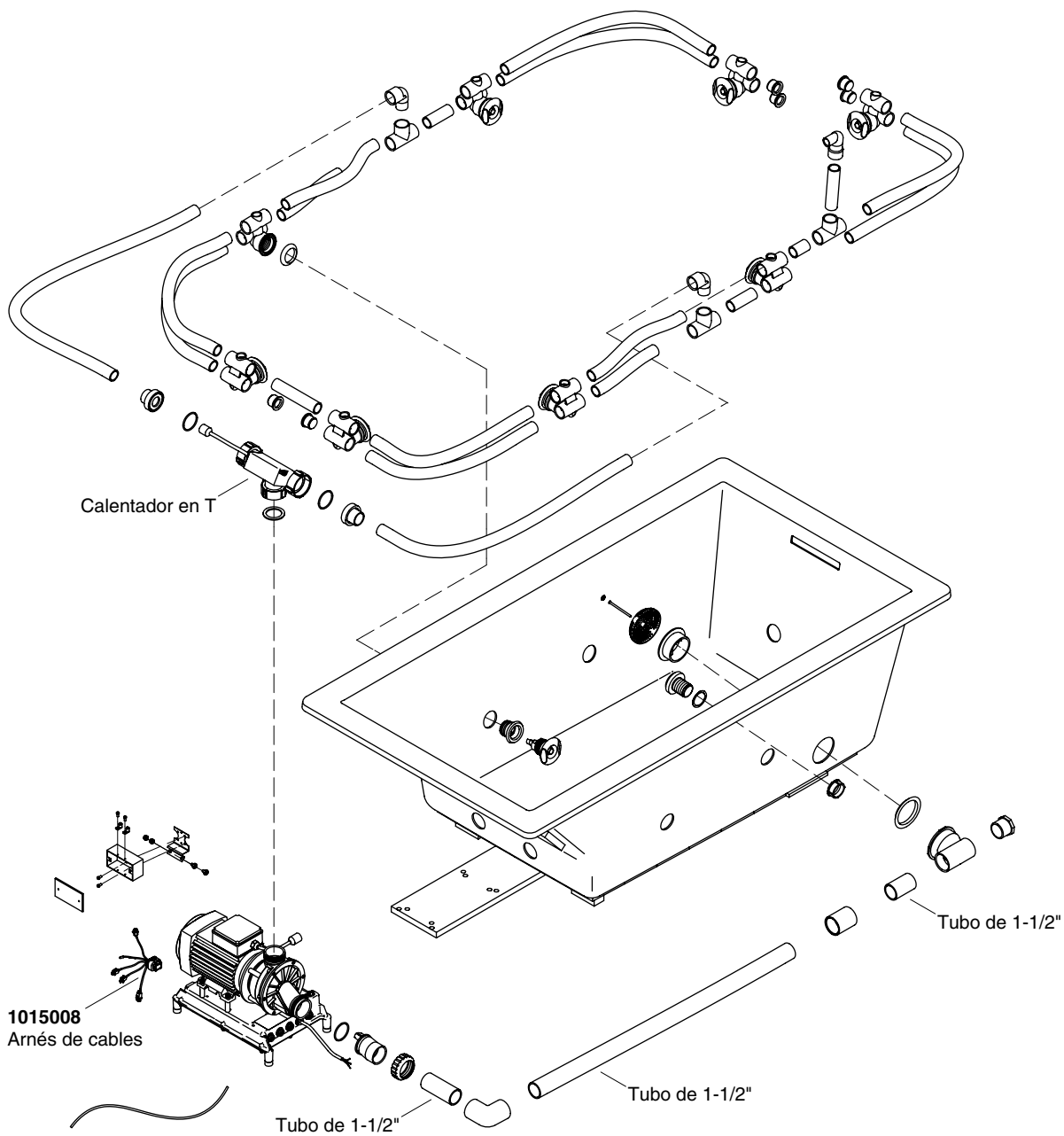
Síntomas	Causas probables	Acción recomendada
1. El teclado no se ilumina cuando se oprime el botón de encendido o se hace girar el anillo externo.	<p>A. El control no tiene alimentación eléctrica.</p> <p>B. El interruptor GFCI o RCD se ha disparado.</p> <p>C. El arnés de cables del teclado al control está suelto, desconectado o dañado.</p> <p>D. El teclado no funciona.</p> <p>E. El control no funciona.</p>	<p>A. Verifique el cableado y conecte el suministro eléctrico.</p> <p>B. Oprima el botón de restablecer el interruptor GFCI o RCD.</p> <p>C. Revise que los cables estén correctamente conectados. Reemplace el arnés de cables de ser necesario.</p> <p>D. Reemplace el teclado.</p> <p>E. Reemplace el control.</p>
2. El motor se enciende, pero no todos los jets funcionan.	<p>A. El jet está cerrado.</p> <p>B. El jet no está instalado correctamente.</p> <p>C. Los jets están obstruidos.</p>	<p>A. Gire la guarnición del jet hacia la izquierda para abrirlo.</p> <p>B. Vuelva a instalar el jet; revise que el arosello (O-ring) no esté dañado.</p> <p>C. Elimine la obstrucción.</p>
3. El teclado está iluminado, pero no responde a los botones o anillo externo.	<p>A. El programa del control está bloqueado.</p> <p>B. El arnés de cables del teclado al control está suelto, desconectado o dañado.</p> <p>C. El teclado no funciona.</p> <p>D. El control no funciona.</p>	<p>A. Oprima el botón de restablecer el interruptor GFCI o RCD.</p> <p>B. Revise que los cables estén correctamente conectados. Reemplace el arnés de cables de ser necesario.</p> <p>C. Reemplace el teclado.</p> <p>D. Reemplace el control.</p>
4. Al encender la unidad, la barra indicadora del teclado continúa en modo de búsqueda.	<p>A. El programa del control está bloqueado.</p> <p>B. El arnés de cables del teclado al control está suelto, desconectado o dañado.</p> <p>C. El teclado no funciona.</p> <p>D. El control no funciona.</p>	<p>A. Oprima el botón de restablecer el interruptor GFCI o RCD.</p> <p>B. Revise que los cables estén correctamente conectados. Reemplace el arnés de cables de ser necesario.</p> <p>C. Reemplace el teclado.</p> <p>D. Reemplace el control.</p>
5. El teclado está iluminado pero la bomba no se enciende.	<p>A. El cable eléctrico de la bomba al control está suelto, desconectado o dañado.</p> <p>B. La bomba no funciona.</p> <p>C. El control no funciona.</p>	<p>A. Revise que los cables estén correctamente conectados.</p> <p>B. Reemplace la bomba.</p> <p>C. Reemplace el control.</p>
6. El motor funciona pero la bomba no hace el cebado (se produce cavitación).	<p>A. La bomba se ha acuñado demasiado.</p> <p>B. Pequeña fuga de aire en la entrada de la bomba.</p> <p>C. El motor/bomba no funciona.</p> <p>D. El control no funciona.</p>	<p>A. Baje la bomba/control al nivel del subpiso.</p> <p>B. Apriete firmemente la(s) tuerca(s) del lado de admisión de la bomba.</p> <p>C. Reemplace el motor/bomba.</p> <p>D. Reemplace el control.</p>
7. La bomba se detiene antes de funcionar durante 18 minutos.	<p>A. El interruptor GFCI o RCD se ha disparado.</p> <p>B. La succión está obstruida.</p> <p>C. Los jets están obstruidos.</p> <p>D. El motor se ha sobrecalentado, activando el dispositivo de protección.</p>	<p>A. Identifique la causa de la falla y corrija. Oprima el botón de restablecer el interruptor GFCI o RCD.</p> <p>B. Elimine la obstrucción.</p> <p>C. Elimine la obstrucción.</p> <p>D. Verifique que no haya obstrucciones en la succión y/o jets. Elimine la obstrucción y deje enfriar el motor.</p>
8. La bomba no se apaga automáticamente después de 22 minutos.	<p>A. El temporizador de 20 minutos se ha desactivado inadvertidamente.</p>	<p>A. Consulte el manual de mantenimiento.</p>

Procedimiento para resolver problemas (cont.)

Teclado y bomba

Síntomas	Causas probables	Acción recomendada
9. La bomba no se apaga cuando se oprime el botón de encendido/apagado en el teclado.	A. El teclado no funciona. B. El control no funciona.	A. Reemplace el teclado. B. Reemplace el control.
10. La bomba funciona pero la opción de velocidad variable no funciona.	A. El motor/bomba no funciona. B. El control no funciona.	A. Reemplace el motor/bomba. B. Reemplace el control.
11. El agua de la bañera se enfría mientras la bomba está funcionando.	A. La temperatura del agua sobrepasa los 104°F (40°C). B. El botón del calentador está apagado en el teclado. C. El cable del calentador al control está suelto, desconectado o dañado. D. El calentador no funciona. E. El control no funciona.	A. Deje enfriar el agua de la bañera. B. Encienda el calentador. C. Revise que los cables estén correctamente conectados. D. Reemplace el calentador. E. Reemplace el control.
12. Funcionamiento ruidoso.	A. Las cintas de la bomba no se han cortado. B. El arosello (O-ring) del jet está mal colocado o seco (ruidoso).	A. Corte las cintas con unas tijeras para chapa. B. Extraiga el jet, reemplace y lubrique el arosello (O-ring); vuelva a instalar el jet.

***Nota:** Todos los tubos son de 1" a menos que se indique lo contrario.



****Se debe especificar el código del acabado/color con el pedido.**

Piezas de repuesto

1003065

Herramienta para extraer la brida de succión



73518

Tapón



93685

Alojamiento



96708

Brida



65886 (Acrílico y fibra de vidrio)
60050 (Hierro fundido)
Empaque

65054

Tornillo



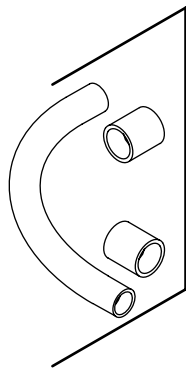
65226**

Tapón de la tapa de succión

96895** (Acabados de color)

65061** (Acabados metálicos)

Tapa



93836 (1/2")

93837 (3/4")

93838 (1")

93839 (1-1/4")

94853 (1-1/2")

Tubo (con acopladores)

91967

Válvula de retención



1086350

Llave de extracción de bridas



67665

Tapón



67429

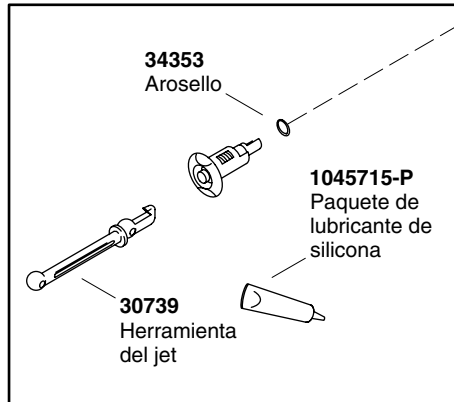
Brida



67889

Alojamiento del jet

65885 (Acrílico y fibra de vidrio)
67668 (Hierro fundido)
Empaque



34353

Arosello

1045715-P
Paquete de lubricante de silicona

30739

Herramienta del jet

Un solo jet para bañeras de hidromasaje con 5 o menos jets

88532** (Acabados de color)

88531** (Acabados metálicos)

Jet

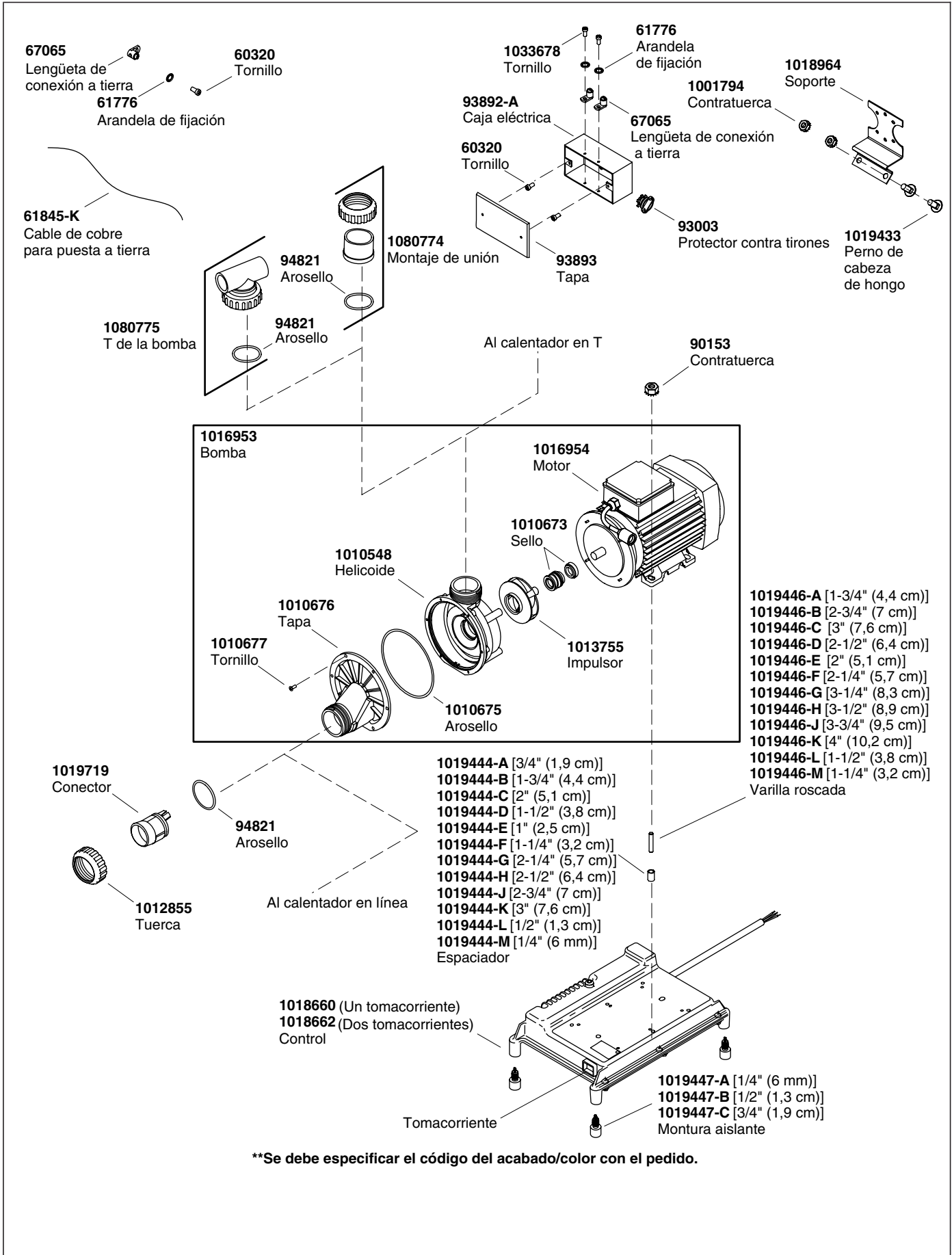
Un solo jet para bañeras de hidromasaje con 6 o más jets

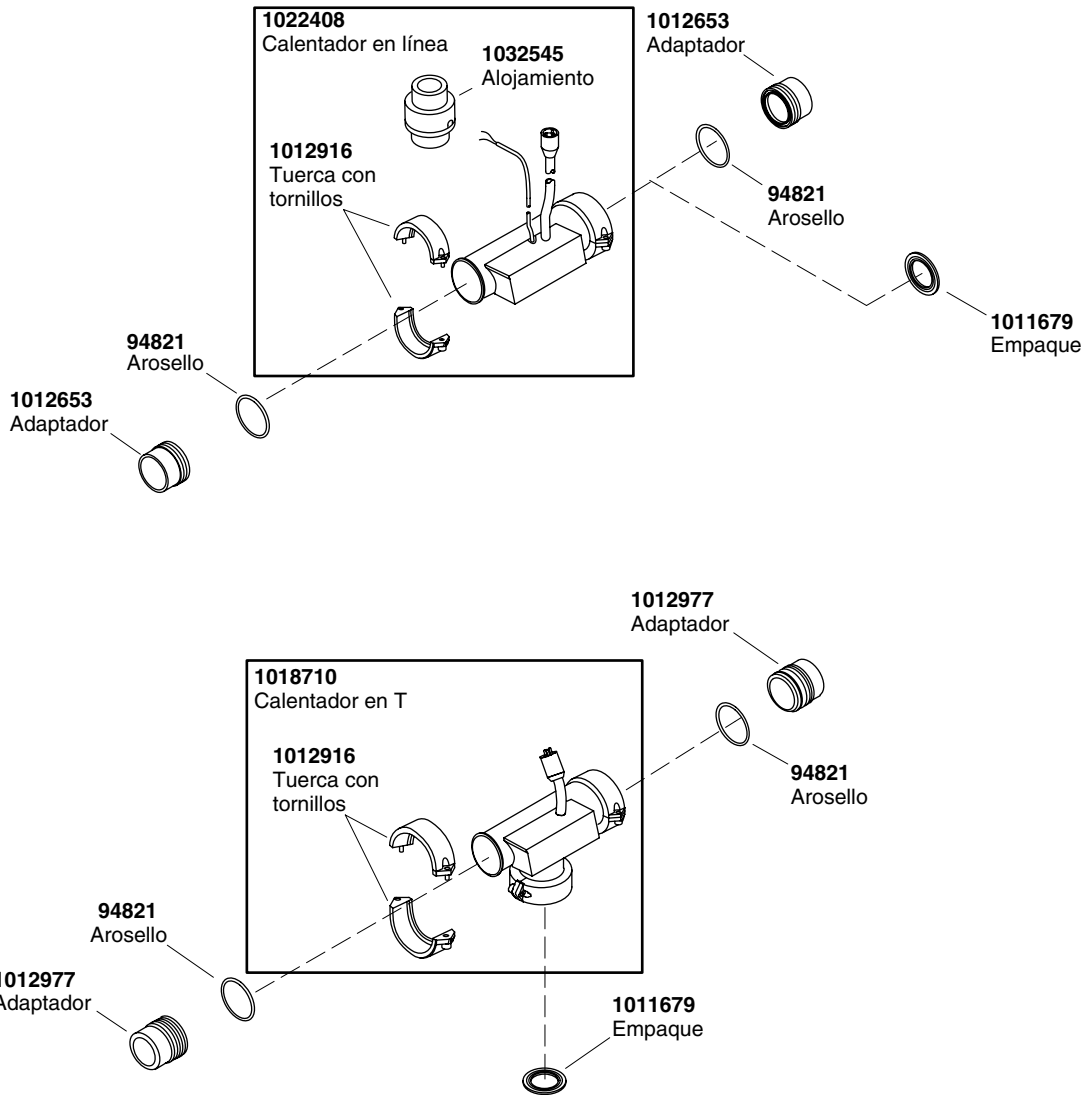
88530** (Acabados de color)

88529** (Acabados metálicos)

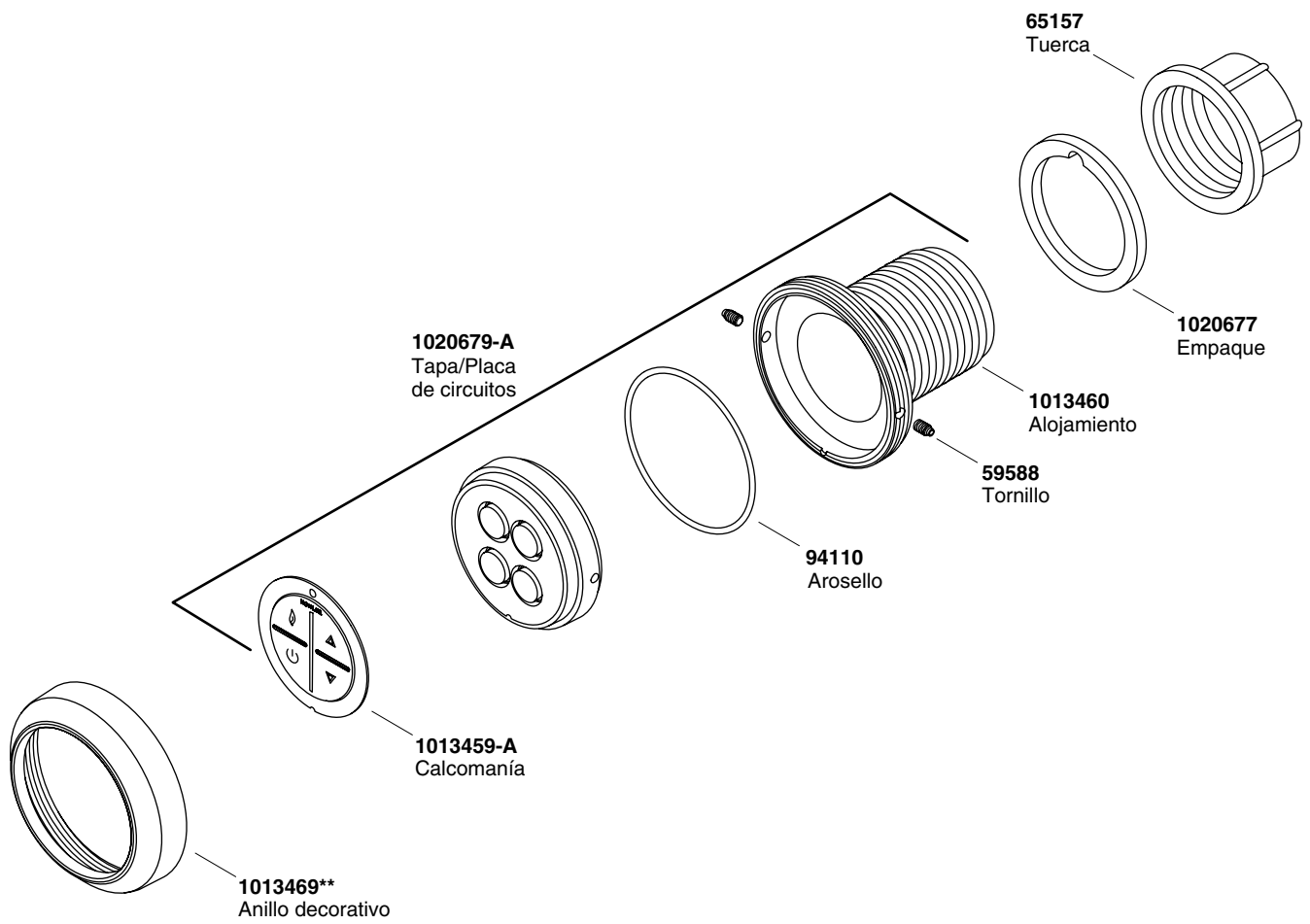
Jet

****Se debe especificar el código del acabado/color con el pedido.**





****Se debe especificar el código del acabado/color con el pedido.**



****Se debe especificar el código del acabado/color con el pedido.**

USA/Canada: 1-800-4KOHLER

México: 001-800-456-4537

kohler.com

THE BOLD LOOK
OF **KOHLER**®

©2011 Kohler Co.

1167576-5-A