

Features

- Beautifully glass round basin
- No faucet holes; requires wall- or counter-mount faucet
- Above-counter or drop-in installation
- No faucet holes

Material

- Glass

Installation

- Above-counter or drop-in

Recommended Accessories

K-7107 Decorative drain
K-7108 Decorative Drain
K-7129 Drain
9033
K-9655

Components

Additional included component/s: Installation Tape - 84938.



ADA OBC

Codes/Standards

CSA B45.11/IAPMO Z401
CSA B45.5/IAPMO Z124
ADA
ICC/ANSI A117.1
OBC

KOHLER® One-Year Limited Warranty

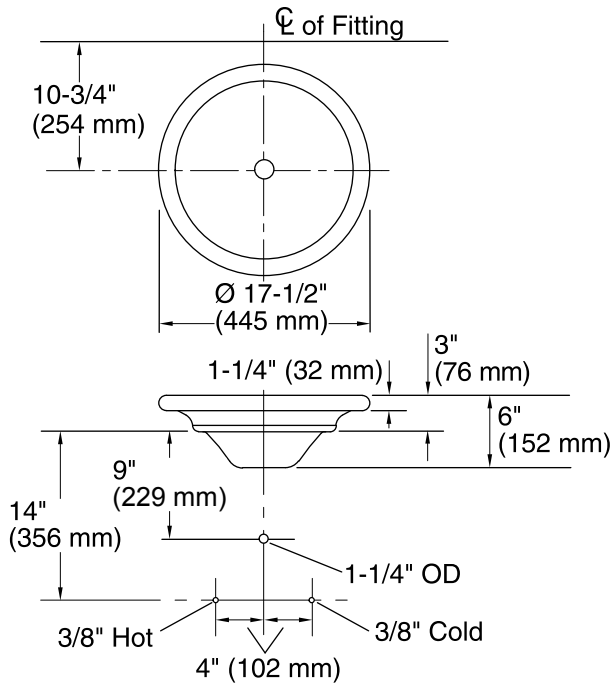
See website for detailed warranty information.

Available Color/Finishes

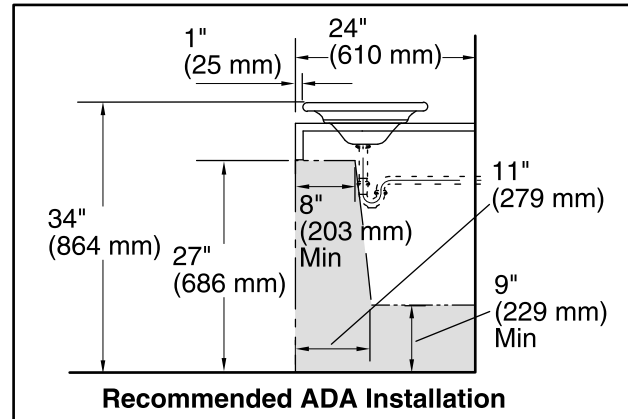
Color tiles intended for reference only.

Color	Code	Description
-------	------	-------------

	B11	Ice
	TG1	
	TG2	
	TG3	



Standard Installation



Recommended ADA Installation

Technical Information

All product dimensions are nominal.

Bowl configuration:	Single
Installation:	Above-counter, Drop-In
Bowl area (Only)	Diameter: 15" (381 mm) Bowl depth: 5-1/2" (140 mm) Water depth: 5-1/2" (140 mm)
Template:	Top-mount, 115888-7, required, included

Notes

Install this product according to the installation guide.

Spout must be 5" (127 mm) long (min) for adequate clearance into lavatory when installed with centerline as shown.

Spout must be tall enough to clear 3" (76 mm) rim height and provide a 1" (25 mm) air gap per ASME A112.1.2.

Diagram is based on the K-9018 P-trap with a 1" (25 mm) tailpiece exposed.

ADA, OBC compliant when installed to the specific requirements of these regulations.