

### Features

- Polished Chrome lever handles.
- Solid brass construction for durability and reliability.
- Required to complete Triton centerset bathroom and Triton kitchen sink with escutcheon faucets.
- Supplied with both Polished Chrome and vandal-resistant red and blue index buttons for your convenience.
- Lever handles are ADA-compliant.



ADA

### Codes/Standards

ASME A112.18.1/CSA B125.1  
ADA  
ICC/ANSI A117.1

### KOHLER® Faucet Lifetime Limited Warranty

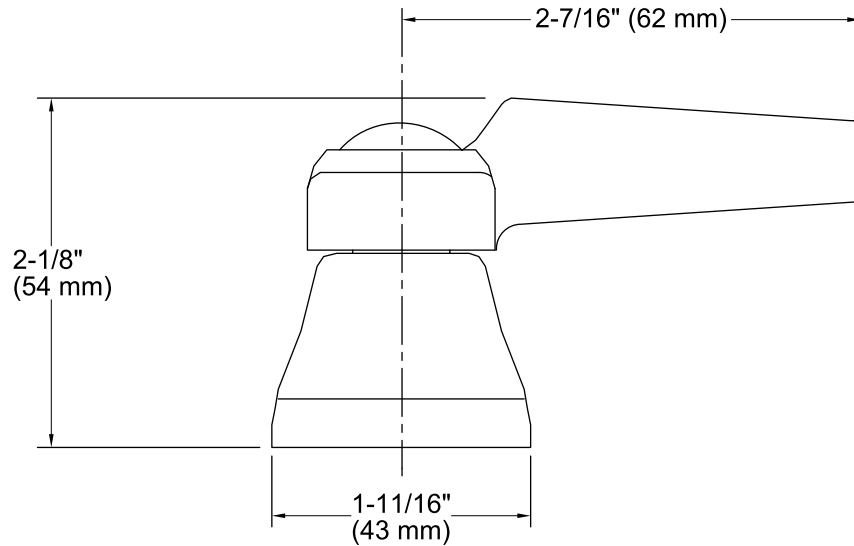
See website for detailed warranty information.

### Available Color/Finishes

*Color tiles intended for reference only.*

Color	Code	Description
-------	------	-------------

	CP	Polished Chrome
--	----	-----------------



**Technical Information**

All product dimensions are nominal.

**Notes**

Install this product according to the installation guide.

ADA compliant when installed to the specific requirements of these regulations.