

Features

- Brass construction
- Fixture-mount design
- Intended for urinal installations with 3/4 " spud coupling connection
- Includes a 9V lithium battery
- Electronic infrared sensor with WAVE technology for accurate activation
- Retrofit models require a control stop and vacuum breaker
- 1.0 gpf (3.8 lpf) flush flow rate
- Slow-closing piston technology



ADA CSA B651 OBC

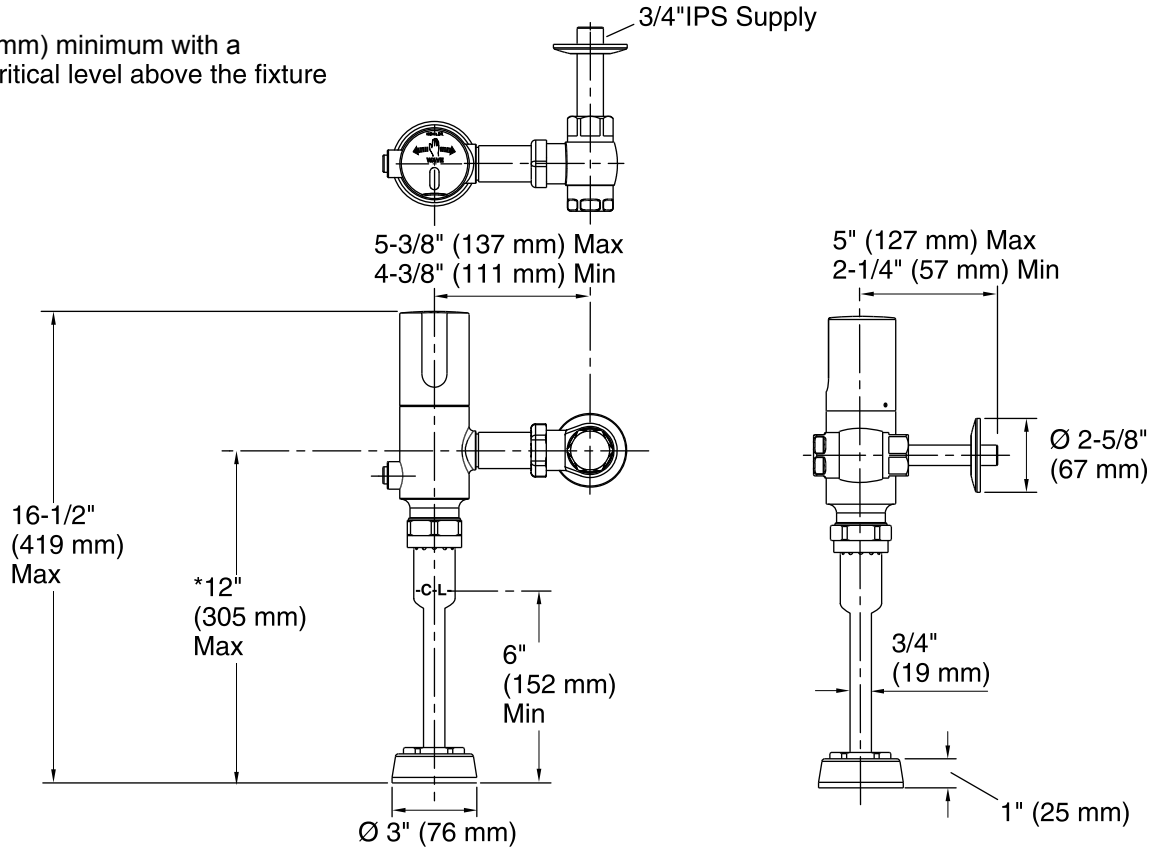
Codes/Standards

ASME A112.18.1/CSA B125.1
CSA B64
ASSE 1037
DOE - Energy Policy Act 1992
EPA WaterSense®
ADA
ICC/ANSI A117.1
CSA B651
OBC

KOHLER® Electronic Faucets, Valves, and Controls - Five-Year Limited Warranty

See website for detailed warranty information.

*10-3/4" (273 mm) minimum with a
6" (152 mm) critical level above the fixture



Technical Information

All product dimensions are nominal.

Faucet:

Flow rate: 1 gal/min (3.8 l/min)
Pressure: 80 psi (5.5 bar)
Power source: 9V, included

Notes

Install this product according to the installation guide.

IMPORTANT! Maintain a 6" (152 mm) minimum critical level above the fixture to prevent back-siphonage.

Operating pressure over 80 psi (552 kPa) is not recommended on most plumbing fixtures.

ADA, OBC, CSA B651 compliant when installed to the specific requirements of these regulations.