

Features

- Brass construction.
- Dual control wall-mounted.
- Less drain.
- Stationary spout.
- 8-1/4" (210 mm) spout reach.
- ADA compliant Stately cross handles.
- Requires two-handle ceramic valve [K-410-K].
- 1.5 gal/min (5.7 l/min) maximum flow rate [max at 60 psi (4.14 bar)].

Required Accessories

K-410-K Wall-mount Valve

Optional Accessories

K-7114 Pop-Up Drain

K-7124 Pop-Up Clicker Drain

K-7127 Drain



ADA

Codes/Standards

ASME A112.18.1/CSA B125.1

NSF 61

NSF 372

DOE - Energy Policy Act 1992

EPA WaterSense®

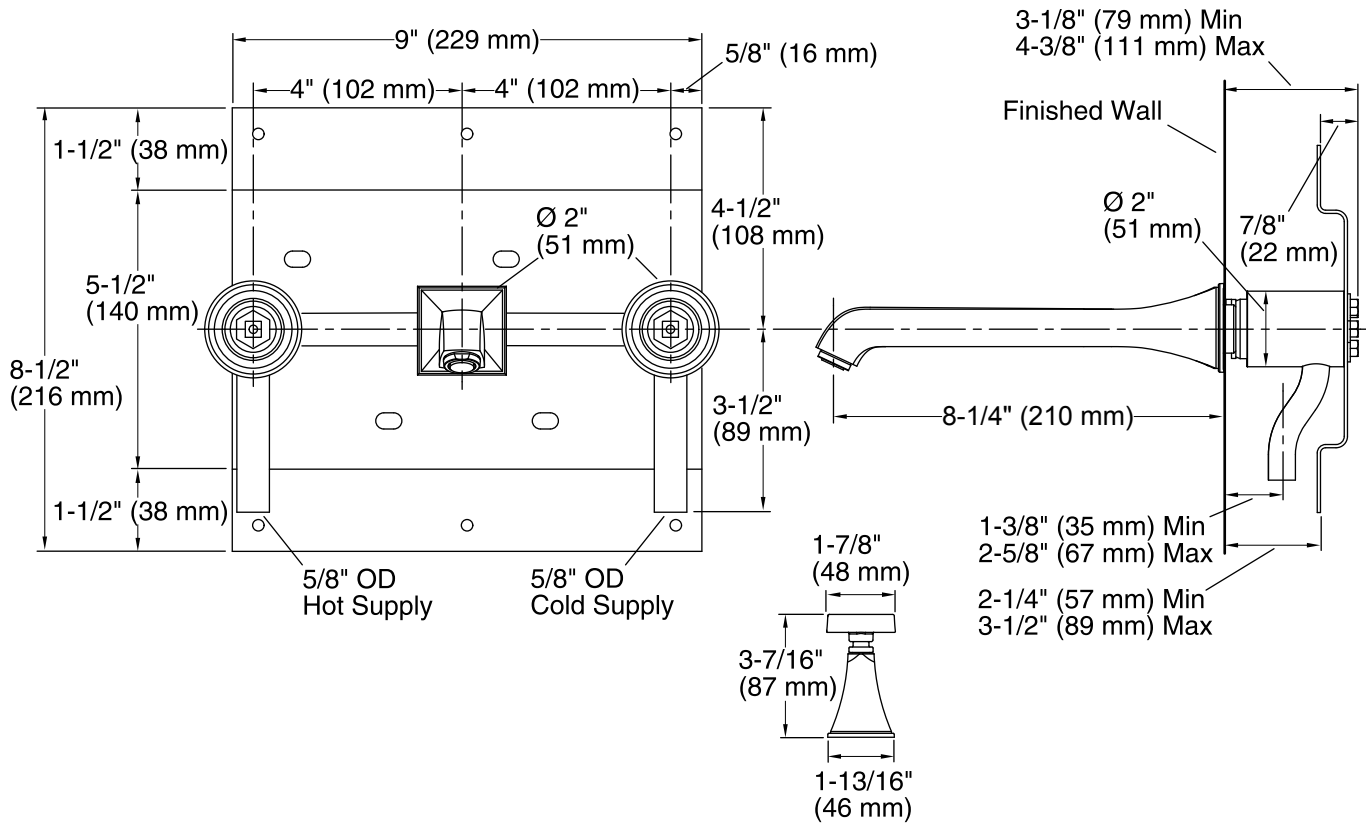
ADA

ICC/ANSI A117.1

All applicable US Federal and State material regulations

KOHLER® Faucet Lifetime Limited Warranty

See website for detailed warranty information.



Technical Information

All product dimensions are nominal.

Spout reach: 8-1/4" (210 mm)

Faucet:

Flow rate: 1.5 gal/min (5.7 l/min)

Pressure: 60 psi (4.1 bar)

Notes

Install this product according to the installation guide.

Three 1-1/2" (38 mm) diameter cutout holes are required for the spout and handles.

The distance between the bottom of spout and top of the fixture rim must not be less than 1-1/2" (38 mm) and not greater than 6" (152 mm).

ADA compliant when installed to the specific requirements of these regulations.