

## Features

- Brass construction.
- Brass valve bodies.
- Wristblade lever handles.
- Valvet® valves.
- Intended for shelf-back installations.
- 3-3/8" (86 mm) gooseneck spout reach.
- Stationary spout.
- For 5-1/2" (140 mm) centers.
- Less drain.
- 2.2 gal/min (8.3 l/min) maximum flow rate [max at 60 psi (4.14 bar)].



ADA

CSA B651

OBC

## Codes/Standards

NSF 61

NSF 372

DOE - Energy Policy Act 1992

ADA

ICC/ANSI A117.1

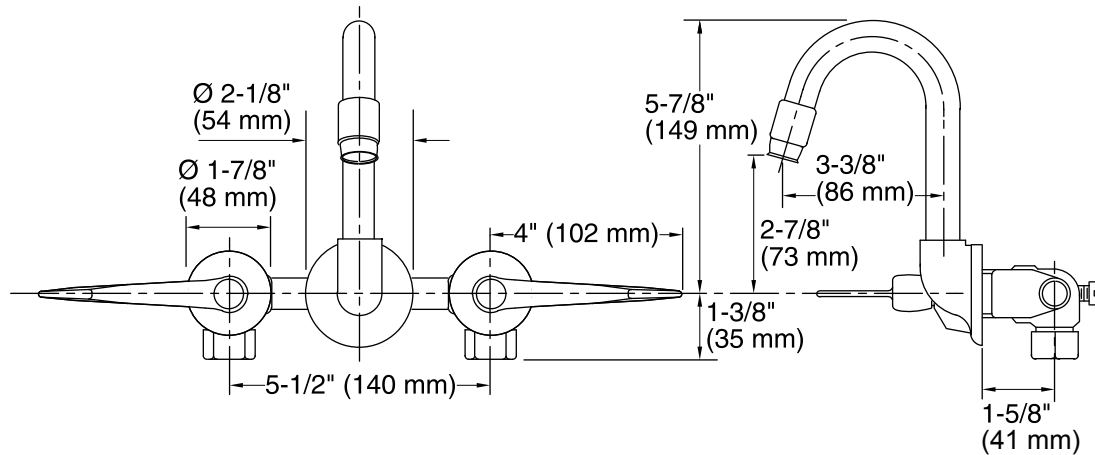
CSA B651

OBC

All applicable US Federal and State material regulations

## KOHLER® Faucet Lifetime Limited Warranty

See website for detailed warranty information.



## Technical Information

All product dimensions are nominal.

Spout reach:  $3\text{-}3/8''$  (86 mm)

### Faucet:

Flow rate: 2.2 gal/min (8.3 l/min)

Pressure: 60 psi (4.1 bar)

## Notes

Install this product according to the installation guide.

ADA, OBC, CSA B651 compliant when installed to the specific requirements of these regulations.