

### WADING POOL® BATHROOM SINK K-2833

ADA

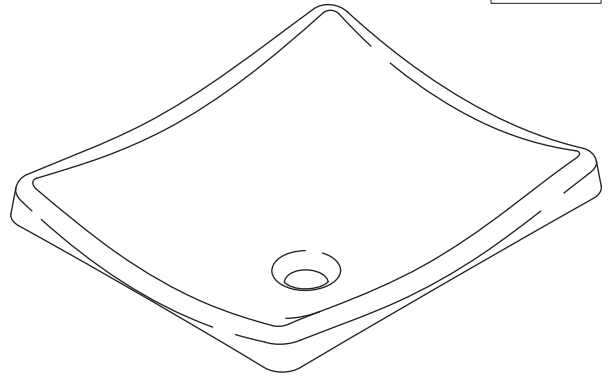
#### Features

- KOHLER cast iron
- Without overflow
- Countertop installation
- 18-1/4" (464 mm) x 15-5/8" (397 mm)

#### Codes/Standards Applicable

Specified model meets or exceeds the following:

- ADA
- ICC/ANSI A117.1
- ASME A112.19.1/CSA B45.2



#### Colors/Finishes

- 0: White
- Other: Refer to Price Book for additional colors/finishes

#### Accessories

- CP: Polished Chrome
- Other: Refer to Price Book for additional colors/finishes

#### Specified Model

Model	Description	Colors/Finishes	
K-2833	Wading Pool bathroom sink	<input type="checkbox"/> 0	<input type="checkbox"/> Other_____
<b>Recommended Accessories</b>			
K-7124	Bathroom sink clicker pop-up drain without overflow <b>OR</b>	<input type="checkbox"/> CP	<input type="checkbox"/> Other_____
K-7129	Bathroom sink grid drain without overflow	<input type="checkbox"/> CP	<input type="checkbox"/> Other_____
K-9018	P-Trap	<input type="checkbox"/> CP	<input type="checkbox"/> Other_____

#### Product Specification

The cast iron bathroom sink shall be 18-1/4" (464 mm) in length and 15-5/8" (397 mm) in width. Bathroom sink shall be without overflow. Bathroom sink shall be countertop installation. Bathroom sink shall be Kohler Model K-2833-\_\_\_\_\_.

# DEMILAV®

## Technical Information

Fixture*:	
Basin area	16-1/2" (419 mm) x 13-3/4" (349 mm)
Water depth	5" (127 mm)
Drain hole	Ø 1-3/4" (44 mm)
* Approximate measurements for comparison only.	
Included component:	
Cut-out template	1046630-7

## Installation Notes

Install this product according to the installation guide.

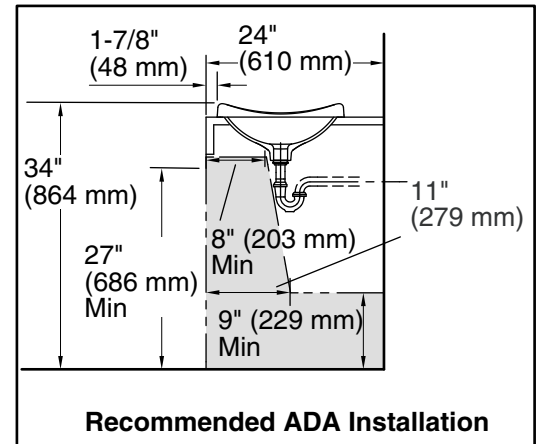
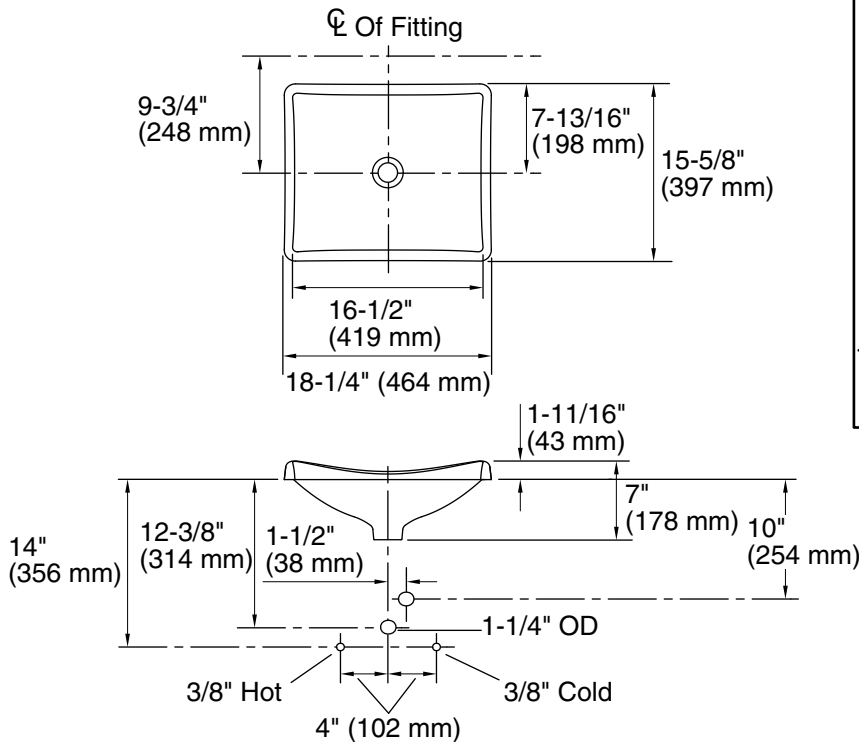
Product does not have overflow.

**NOTICE:** Countertop manufacturer or cutter **must** use the cut-out template provided with the product, or a current one provided by Kohler Co. (call 1-800-4KOHLER). Kohler Co. is not responsible for cutout errors when the incorrect cut-out template is used.

The spout must be a minimum of 5" (127 mm) long for adequate clearance into the bathroom sink when installed with the centerline, as shown.

The spout must be tall enough to clear the 1-11/16" (43 mm) rim height and provide a 1" (25 mm) air gap per ASME A112.1.2.

Will comply with **ADA** when installed per Section 606 Lavatories of the Act.



## Product Diagram