

Features

- Vitreous china
- Under-mount
- Includes 1193643 clamp assembly
- 16-7/8" (430 mm) x 13-11/16" (348 mm)

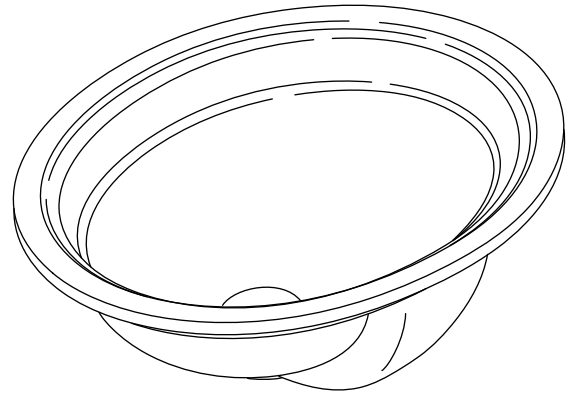
UNDER-MOUNT BATHROOM SINK K-2350

ADA

Codes/Standards Applicable

Specified model meets or exceeds the following:

- ASME A112.19.2/CSA B45.1
- ADA
- ICC/ANSI A117.1



Colors/Finishes

- 0: White
- Other: Refer to Price Book for additional colors/finishes

Accessories:

- CP: Polished Chrome
- Other: Refer to Price Book for additional colors/finishes

Specified Model

Model	Description	Colors/Finishes	
K-2350	Under-mount bathroom sink	<input type="checkbox"/> 0	<input type="checkbox"/> Other_____
Recommended Accessory			
K-9018	P-Trap	<input type="checkbox"/> CP	<input type="checkbox"/> Other_____

Product Specification

The under-mount bathroom sink shall be 16-7/8" (430 mm) in length, and 13-11/16" (348 mm) in width. Bathroom sink shall be made of vitreous china. Bathroom sink shall include 1193643 clamp assembly. Bathroom sink shall be Kohler Model K-2350-_____.

DEVONSHIRE®

Technical Information

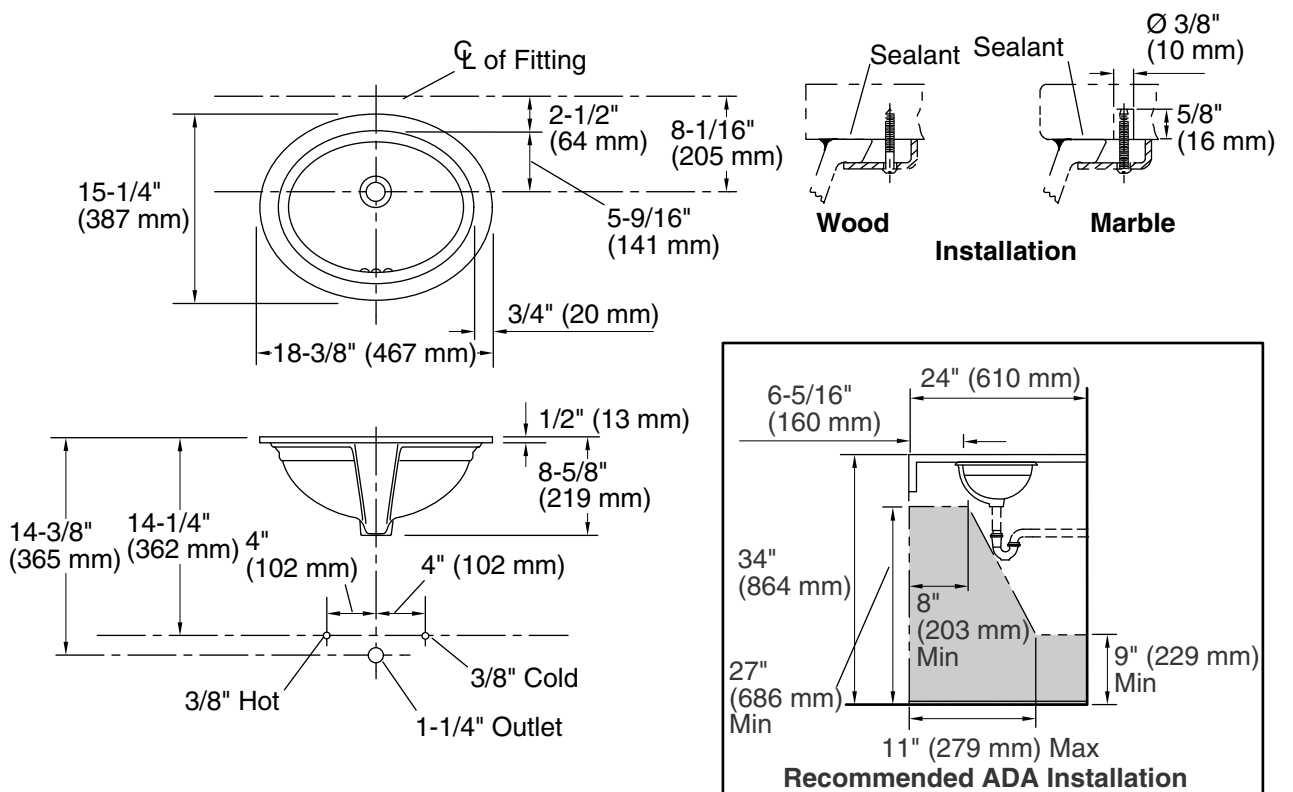
Fixture*:	
Basin area	16-7/8" (430 mm) x 13-11/16" (348 mm)
Water depth	4-3/16" (106 mm)
Drain hole	Ø 1-3/4" (44 mm)
* Approximate measurements for comparison only.	
Cutout template	1035965-7
Included Components:	
Basin clamp assembly	1193643

Installation Notes

Install this product according to the installation guide.

NOTICE: Countertop manufacturer or cutter must use the current product template available at www.kohler.com, or by calling 1-800-4KOHLER. Kohler Co. is not responsible for cutout errors when the incorrect cutout template is used.

Will comply with **ADA** when installed per section 606 Lavatories and Sinks of the 2010 ADA Standards for Accessible Design.



Product Diagram