

### COUNTERTOP BATHROOM SINK K-2895

ADA

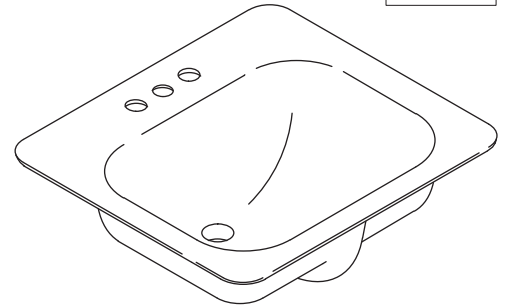
#### Features

- KOHLER cast iron
- Drop-in
- With overflow
- 8" (203 mm) centers, 4" (102 mm) centers, or single-hole
- 21" (533 mm) x 19" (483 mm)

#### Codes/Standards Applicable

Specified model meets or exceeds the following:

- ADA
- ASME A112.19.1/CSA B45.2
- ICC/ANSI A117.1



#### Colors/Finishes

- 0: White
- Other: Refer to Price Book for additional colors/finishes

#### Accessories

- CP: Polished Chrome
- Other: Refer to Price Book for additional colors/finishes

#### Specified Model

Model	Description	Colors/Finishes	
K-2895-8	Countertop bathroom sink with 8" (203 mm) centers	<input type="checkbox"/> 0	<input type="checkbox"/> Other _____
K-2895-4	Countertop bathroom sink with 4" (102 mm) centers	<input type="checkbox"/> 0	<input type="checkbox"/> Other _____
K-2895-1	Countertop bathroom sink with single-hole	<input type="checkbox"/> 0	<input type="checkbox"/> Other _____
Recommended Accessories			
K-8998	P-Trap	<input type="checkbox"/> CP	

#### Product Specification

The drop-in bathroom sink shall be made of cast iron. Bathroom sink shall have 8" (203 mm) centers, 4" (102 mm) centers, or single-hole. Bathroom sink shall have overflow. Bathroom sink shall be 21" (533 mm) in length, and 19" (483 mm) in width. Bathroom sink shall be Kohler Model K-2895-\_\_\_\_\_-\_\_\_\_\_.

# TAHOE®

## Technical Information

Fixture*:	
Basin area	16" (406 mm) x 12" (305 mm)
Water depth	5" (127 mm)
Drain hole	Ø 1-11/16" (43 mm)
* Approximate measurements for comparison only.	

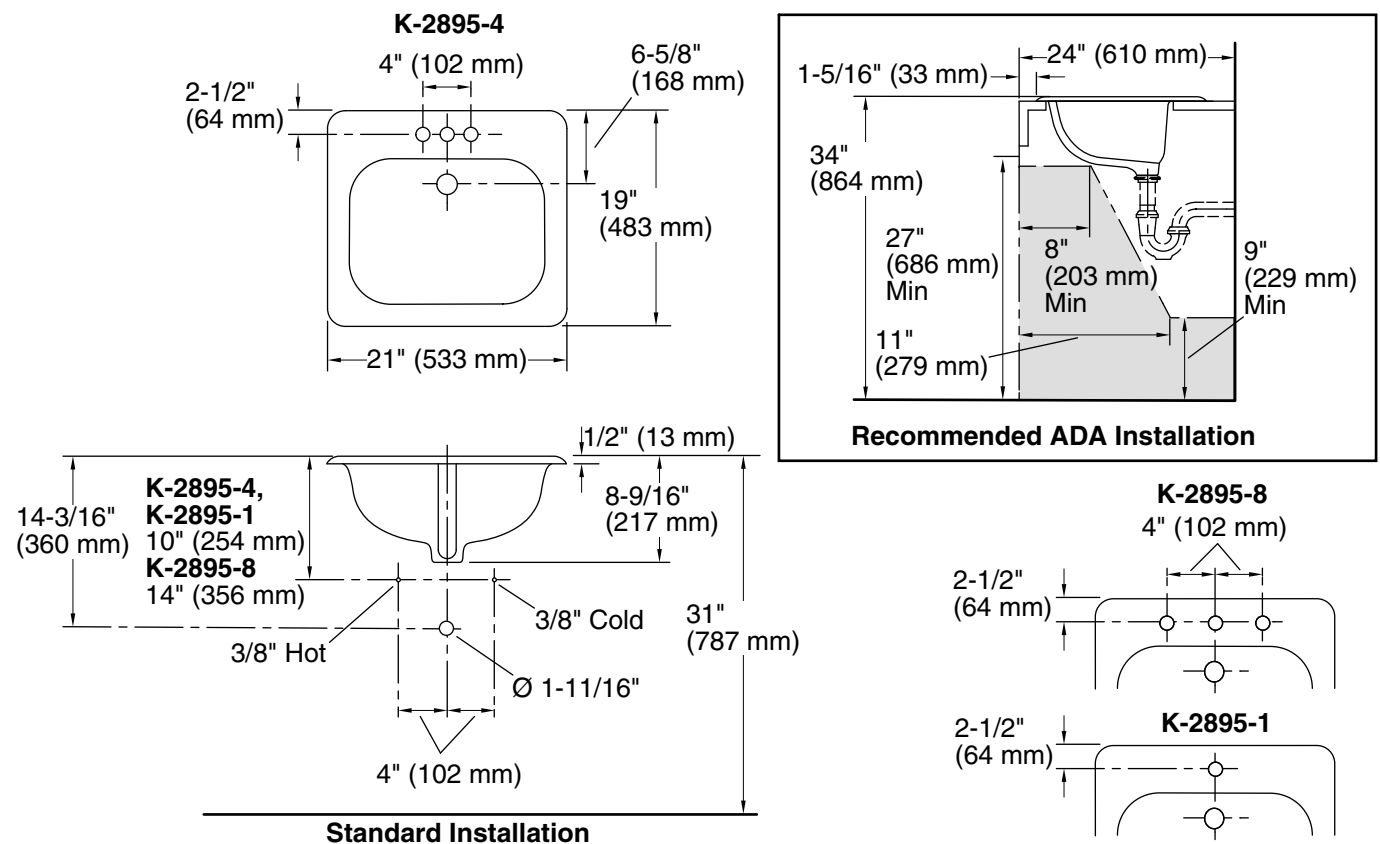
Spout hole	Ø 1-3/8" (35 mm)	Ø 1-3/8" (35 mm)	Ø 1-3/8" (35 mm)
Faucet holes	Ø 1-3/8" (35 mm)	Ø 1-3/8" (35 mm)	

Included components:	
Overflow ferrule (1)	44071
Cut-out template	116586-7

## Installation Notes

Install this product according to the installation guide.

Will comply with **ADA** when installed per section 606 Lavatories of the Act.



## Product Diagram