

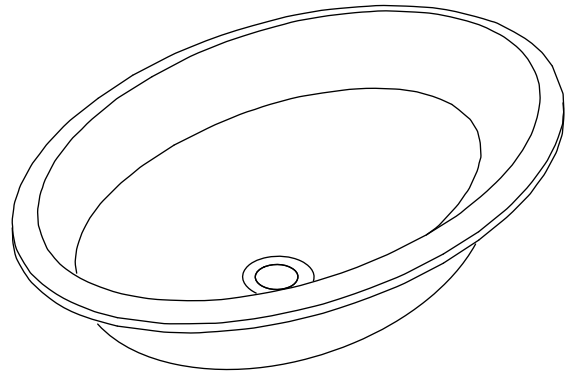
Features

- Vitreous china
- Self-rimming with wide angled ledge
- ADA compliant
- Available with KOHLER Artist Editions designs
- 25" (635 mm) x 17" (432 mm)

Codes/Standards Applicable

Specified model meets or exceeds the following:

- ADA
- ASME A112.19.2/CSA B45.1
- ICC/ANSI A117.1



Colors/Finishes

- 0: White
- Other: Refer to Price Book for additional colors/finishes

Accessories:

- CP: Polished Chrome

Specified Model

Model	Description	Colors/Finishes	
K-2264	Centerpiece countertop bathroom sink	<input type="checkbox"/> 0 White	<input type="checkbox"/> Other _____
Recommended Accessory			
K-8998	P-Trap	<input type="checkbox"/> CP	

Product Specification

The drop-in countertop bathroom sink shall be 25" (635 mm) in length and 17" (432 mm) in width. Bathroom sink shall be made of vitreous china. Bathroom sink shall have a wide angled ledge. Bathroom sink shall be available with KOHLER Artist Editions designs and ADA compliant. Bathroom sink shall be Kohler Model K-2264-_____.

CENTERPIECE®

Technical Information

ADA compliant			
Fixture*:		Basin area	Water depth
Bathroom Sink		23" (584 mm) x 15" (381 mm)	7" (178 mm)
Outlet	Ø 1-3/4" (44 mm)		

* Approximate measurements for comparison only.

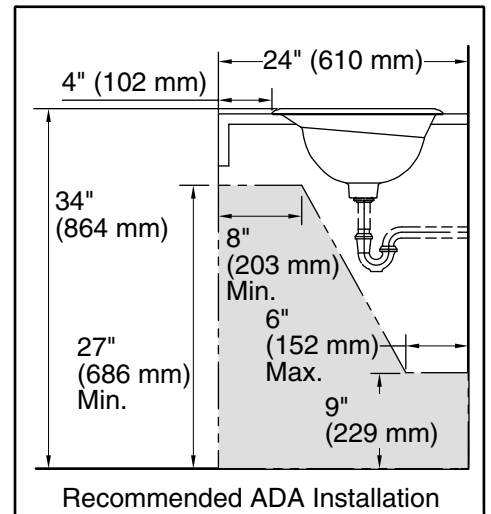
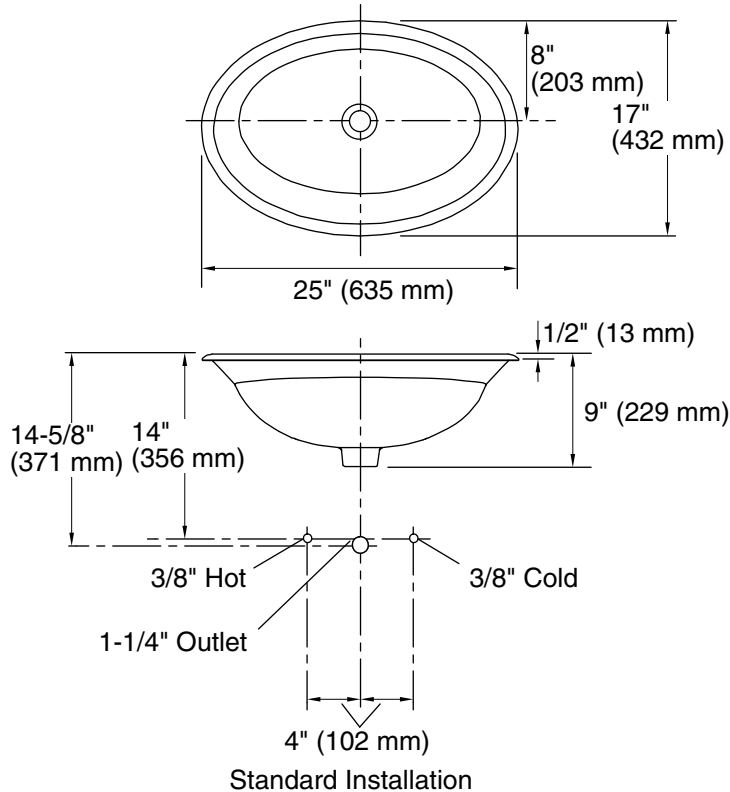
Included Components:	
Adjustable linkage	40372
Cutout template	114809-7

Installation Notes

Install this product according to the installation guide.

4-5/8" (117 mm) minimum faucet spout length needed to reach over rim into basin.

NOTICE: Countertop manufacturer or cutter **must** use the cutout template provided with the product, or a current one provided by Kohler Co. (call 1-800-4KOHLER). Kohler Co. is not responsible for cutout errors when the incorrect cutout template is used.



Product Diagram